

F.A.P. RTE.	SECTION	COUNTY	TOTAL SHEETS	SHEET NO.
729	34Z-4	VERMILION	285	123
STA.		TO STA.		
FED. ROAD DIST. NO.		ILLINOIS FED. AID PROJECT		

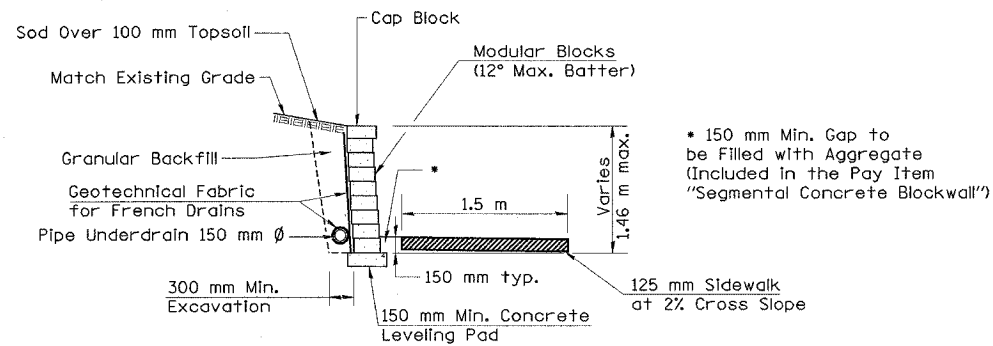
**GENERAL NOTES**

- BLOCK RETAINING WALLS SHALL BE CONSTRUCTED TO MANUFACTURER'S SPECIFICATIONS AND TO THE APPROVAL OF THE ENGINEER.
- THE SCHEMATIC REPRESENTATION SHOWN IN THE DRAWINGS IS ARBITRARY. APPROPRIATE ADJUSTMENTS SHALL BE MADE TO SUIT THE MANUFACTURER'S PRODUCT SIZE.
- ALL DIMENSIONS ARE IN MILLIMETERS (mm) EXCEPT AS NOTED.
- THIS WORK, INCLUDING EXCAVATION, GRANULAR BACKFILL, CONCRETE BLOCKS, CONCRETE LEVELING PAD, PERFORATED PIPE UNDERDRAINS, GRAVEL, GEOTECHNICAL FABRIC FOR FRENCH DRAINS, AND OTHER ACCESSORIES SHALL BE INCLUDED IN THE PAY ITEM "SEGMENTAL CONCRETE BLOCK WALL".

**LIST OF MATERIALS**

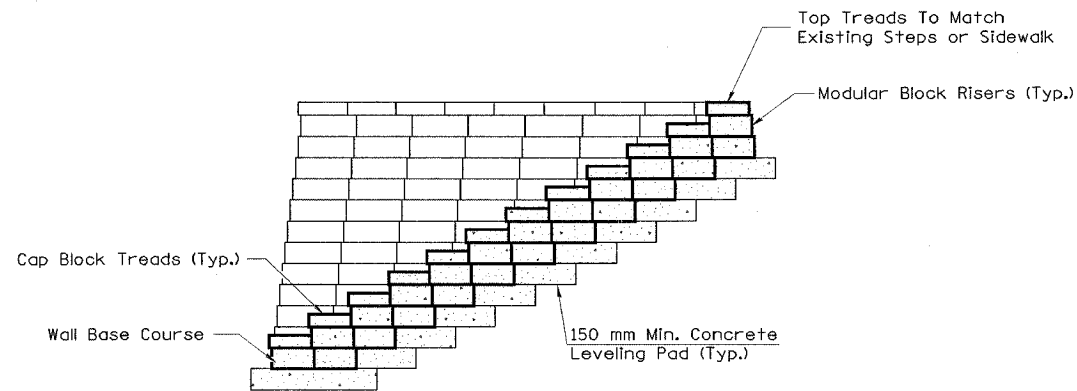
STATION TO STATION	BLOCK WALLS					150 mm MIN. CONCRETE LEVELING PAD	CAP BLOCK	PIPE UNDERDRAINS 150 mm	PIPE UNDERDRAINS 150 mm (SPECIAL)	SEGMENTAL CONCRETE BLOCK WALL
	3 COURSE	4 COURSE	5 COURSE	6 COURSE	7 COURSE					
	METERS					M	M	M	M	SQ. M
90+408.09 to 90+448.00 RT	5.87	11.17	22.93	---	---	40.3	40.0	40.0	2.8	30.6
91+354.64 to 91+377.26 RT	---	3.12	1.50	7.13	10.85	23.2	22.6	22.6	2.8	23.2
91+501.26 to 20+977.36 RT	6.13	28.52	1.37	6.29	2.77	52.9	45.1	48.9	6.1	34.0
TOTAL	12.00	42.81	25.80	13.42	13.62	116.4	107.7	111.5	11.7	87.8

• S. Buchanan St.



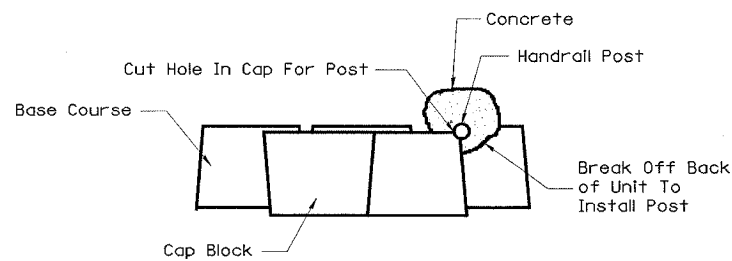
**TYPICAL SECTION - UNREINFORCED RETAINING WALL**

NO SCALE



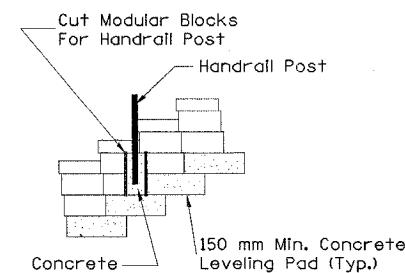
**TYPICAL SECTION - BLOCK STEPS**

NO SCALE



**HANDRAIL POST DETAIL - PLAN**

(ONLY AT BLOCK STEPS REQUIRING HANDRAIL)



**HANDRAIL POST - ELEVATION**

STATION	BLOCK STEPS						150 mm MIN. CONCRETE LEVELING PAD	CAP BLOCK	SEGMENTAL CONCRETE BLOCK WALL
	1 COURSE	2 COURSE	3 COURSE	4 COURSE	5 COURSE	6 COURSE			
	METERS						M	M	SQ. M
91+519.4 RT	1.63	7.09	0.57	0.57	1.22	---	13.2	10.9	5.0
91+529.2 RT	1.63	8.72	0.57	0.57	0.57	1.22	15.8	13.0	6.3
91+535.8 RT	2.44	12.77	0.57	0.57	0.57	1.22	20.6	17.9	8.1
TOTAL	5.70	28.58	1.71	1.71	2.36	2.44	49.6	41.8	19.4

**TOTAL BILL OF MATERIAL**

ITEM	UNIT	QUANTITY
SEGMENTAL CONCRETE BLOCK WALL	SQ. M.	107.2
PIPE UNDERDRAINS, 150 mm	M	111.5
PIPE UNDERDRAINS, 150 mm (SPECIAL)	M	11.7

REVISIONS		ILLINOIS DEPARTMENT OF TRANSPORTATION
NAME	DATE	
		<b>BLOCK RETAINING WALL DETAILS</b> <b>U.S. ROUTE 136</b>  SCALE --- DRAWN BY MTH DATE 5/03 CHECKED BY KRG