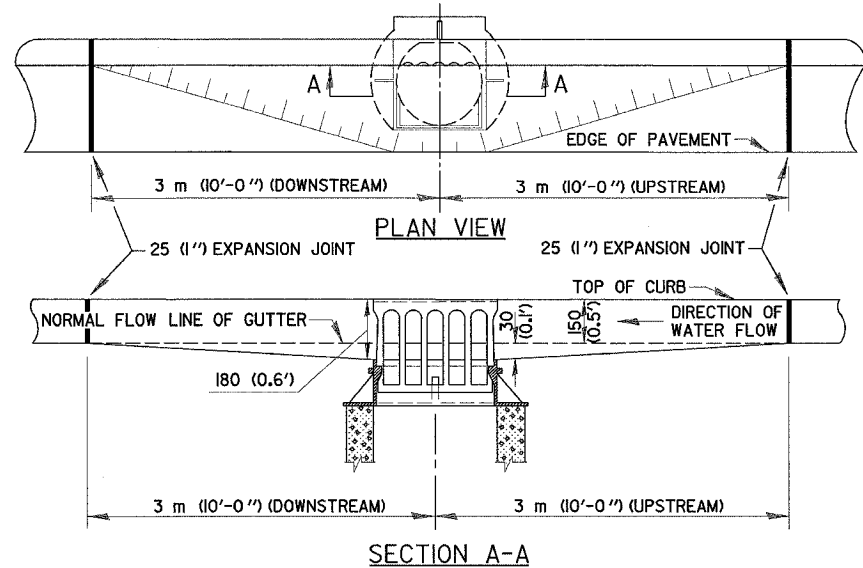


F.A.P. RTE.	SECTION	COUNTY	TOTAL SHEETS	SHEET NO.
729	34Z-4	VERMILION	285	128
FED. ROAD DIST. NO.		ILLINOIS FED. AID PROJECT		

DETAIL OF DEPRESSING GUTTER GRADE AT INLETS, CATCH BASINS AND MANHOLES



GENERAL NOTES

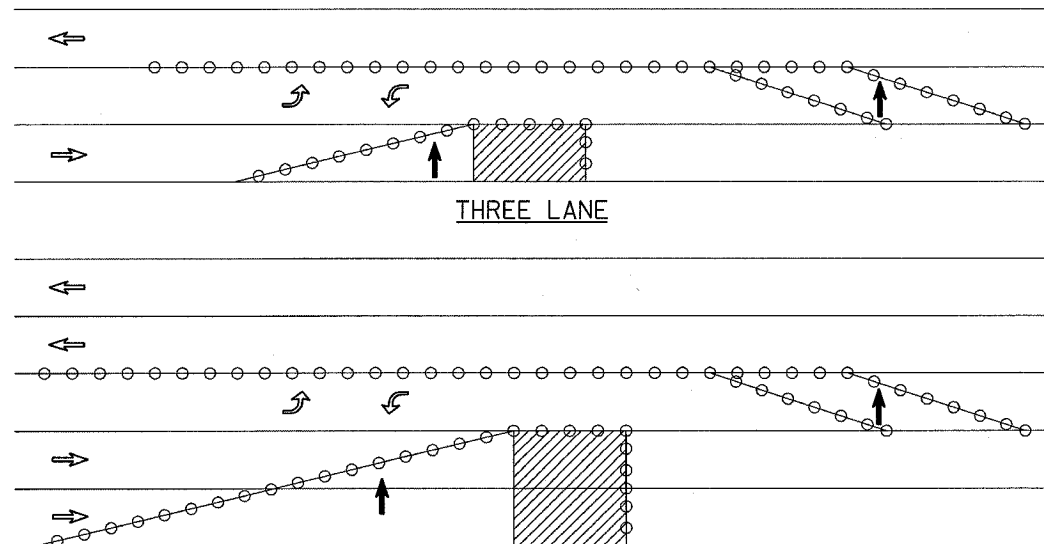
1. THE TWO EXPANSION JOINTS AS MENTIONED IN THE DRAINAGE OPENING PARAGRAPH ON STD. 606001 (2130) SHALL BE PLACED AS SHOWN ABOVE.
2. THE GUTTER GRADE SHALL BE DEPRESSED AT ALL INLETS, CATCH BASINS AND MANHOLES UNLESS OTHERWISE SPECIFIED IN THE PLANS.
3. THE COST OF THIS WORK SHALL BE INCLUDED IN THE COST OF THE VARIOUS PAY ITEMS OF WORK INVOLVED.
4. ALL DIMENSIONS ARE IN MILLIMETERS UNLESS OTHERWISE NOTED.

DESIGNED	NAME	DATE
J.M.H.	J.M.H.	11/87
CHECKED	NAME	DATE
F.M.S.	J.M.H.	7/88
CADD NO.	NAME	DATE
A-131	D.L.P.	5/96
	D.L.P.	10/96

REVISIONS	
NAME	DATE
J.M.H.	7/88
D.L.P.	5/96
D.L.P.	10/96

SPECIAL DETAIL FOR TRAFFIC CONTROL

(REFER TO STANDARD 701606 FOR SPACING & SYMBOLS)

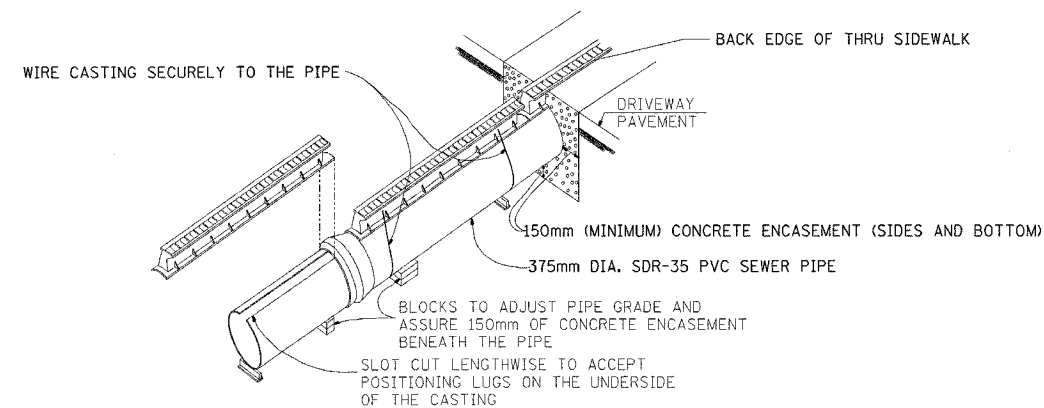
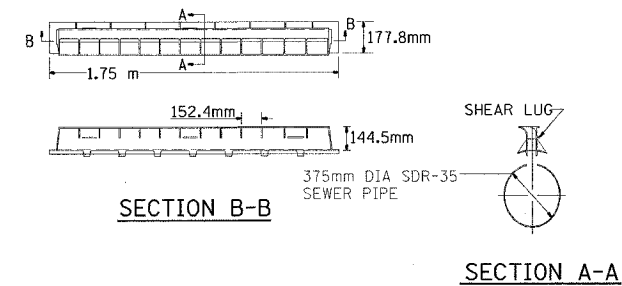


ALL ITEMS COVERED BY THIS DETAIL SHALL BE INCLUDED IN THE UNIT PRICE FOR STANDARD 701606. NO ADDITIONAL COMPENSATION WILL BE ALLOWED.

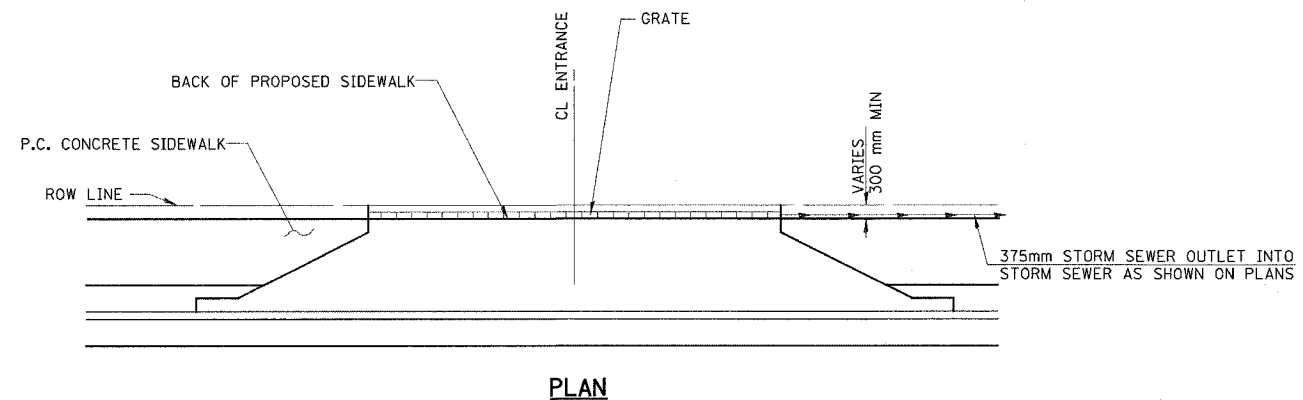
- ← ARROWBOARD
- CONES, DRUMS, OR BARRICADES
- ▨ WORK AREA

DESIGNED	NAME	DATE	REVISIONS
CENTRAL OFFICE	NAME	DATE	
D.L.P.	D.L.P.	10/96	
F-5.06	R.M.H.	12/97	
	D.L.P.	7/98	

DETAIL OF VANE DRAIN



ELEVATION



PLAN

NOTES: THE GRATES SHALL BE NEENAH R-3599 OR EQUIVALENT THIS WORK SHALL BE PAID FOR AT THE CONTRACT UNIT PRICE PER METER FOR VANE DRAIN, WHICH PRICE SHALL BE PAYMENT IN FULL FOR ALL LABOR AND MATERIAL NECESSARY FOR THE INSTALLATION OF THE VANE DRAIN. THE STORM SEWER SHALL BE PAID FOR SEPARATELY.

THE PROPOSED STORM SEWER SHALL BE PLUGGED ON THE UPSTREAM END WHERE APPLICABLE.

THE 375MM DIAMETER SDR-35 PVC STORM SEWER PIPE SHALL BE PAID FOR AT THE CONTRACT UNIT PRICE PER METER AS STORM SEWER, CLASS B, TYPE 1, 375MM

REVISIONS	
NAME	DATE

ILLINOIS DEPARTMENT OF TRANSPORTATION

DISTRICT DETAILS

DATE MAY 03

DRAWN BY
CHECKED BY