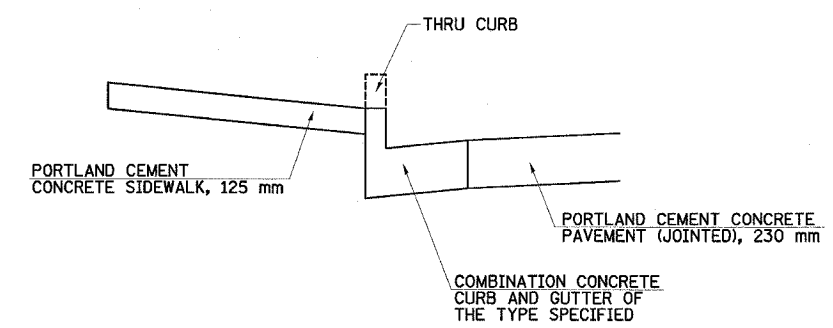
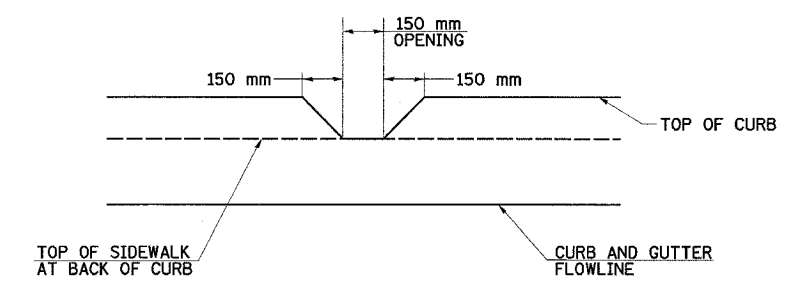


F.A.P. RTE.	SECTION	COUNTY	TOTAL SHEETS	SHEET NO.
729	34Z-4	VERMILION	285	135
FED. ROAD DIST. NO.		ILLINOIS FED. AID PROJECT		

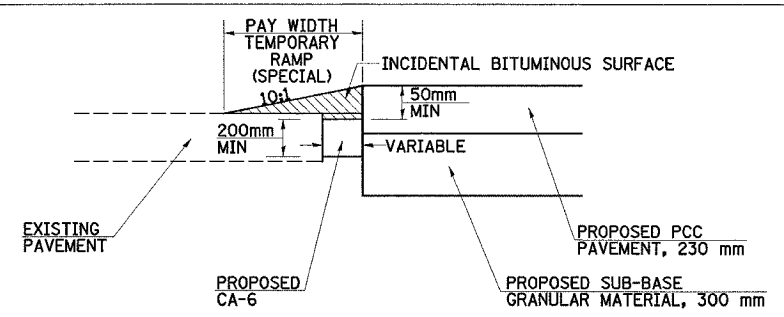


SECTION THRU SIDEWALK

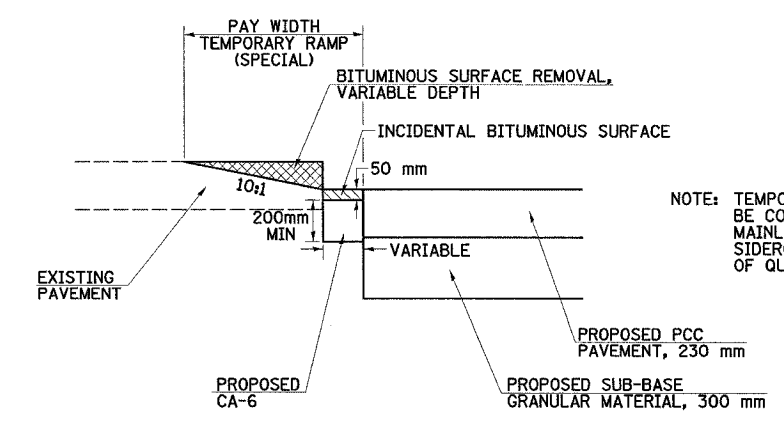


SECTION ALONG CURB

DETAIL OF CURB CUT WHERE SIDEWALK IS LOWER THAN CURB AND GUTTER



PROPOSED ELEVATION GREATER THAN EXISTING

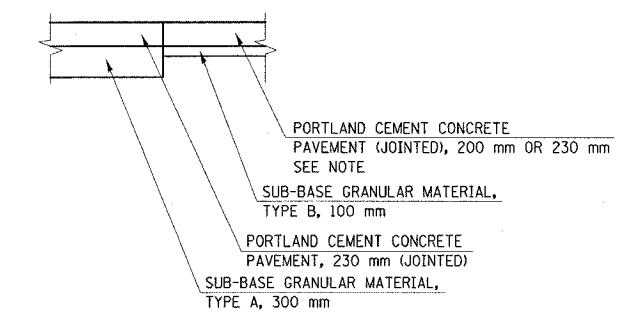
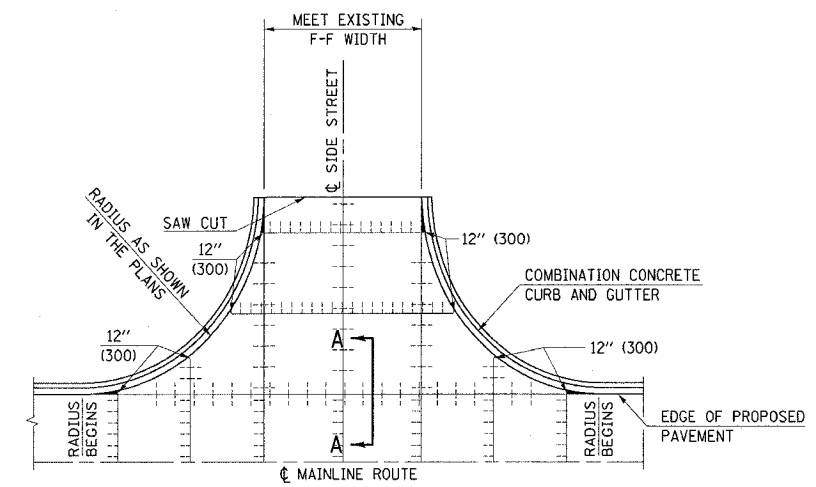


EXISTING ELEVATION GREATER THAN PROPOSED

DETAIL OF TEMPORARY RAMP (SPECIAL)

NOTE: TEMPORARY RAMP (SPECIAL) SHALL BE CONSTRUCTED BETWEEN THE MAINLINE RETURN POINTS AT THE SIDEROADS LISTED IN THE SCHEDULE OF QUANTITIES.

DETAIL OF INTERSECTING SIDE STREETS
(ADJACENT TO JOINTED P.C.C. PAVEMENT)



SECTION A-A

GENERAL NOTES

- ALL INTERSECTING SIDE STREETS SHALL BE CONSTRUCTED IN ACCORDANCE WITH THIS DETAIL EXCEPT THOSE NOTED IN THE PLANS.
- SAWED LONGITUDINAL JOINTS WITH TIE BARS WILL BE ALLOWED ALONG THE CENTERLINE ONLY WHEN THE STREET RETURN IS POURED FULL WIDTH. OTHER LONGITUDINAL JOINTS SHALL BE ACCORDING TO STANDARD 420001.
- TRANSITION PORTLAND CEMENT CONCRETE PAVEMENT (JOINTED) OF THE THICKNESS SPECIFIED IN THE PLANS TO MEET THE EXISTING PAVEMENT.
- SHADED AREAS SHALL BE POURED MONOLITHIC WITH ADJACENT COMBINATION CONCRETE CURB AND GUTTER. THIS WORK WILL BE MEASURED AND INCLUDED IN THE CONTRACT UNIT PRICE PER SQUARE YARD (m²) FOR PORTLAND CEMENT CONCRETE PAVEMENT (JOINTED) OF THE THICKNESS SPECIFIED IN THE PLANS.
- SAWED CONTRACTION JOINTS, AS SHOWN IN STANDARD 420001, SHALL BE REQUIRED AT 12' (3.6 m) TO 18' (5.5 m) SPACING.
- JOINT SPACING, MONOLITHIC POURS AND OTHER FEATURES MAY BE MODIFIED TO MAINTAIN ALIGNMENT OF JOINTS BETWEEN ADJACENT PANELS. SEE PAVEMENT JOINT PLANS.
- PORTLAND CEMENT CONCRETE PAVEMENT (JOINTED); 230 mm, SHALL BE USED ON LAUHOFF STREET AND THE NORTH LEG OF BUCHANAN STREET.
- SEE TYPICAL SECTIONS FOR SECTION VIEW OF SIDEROAD.

LEGEND

- LONGITUDINAL JOINT WITH TIE BARS (STANDARD 420001)
- INCIDENTAL BITUMINOUS SURFACING OVER AGGREGATE BASE COURSE (SEE SECTION A-A) (SEE NOTE *5)
- SAWED CONTRACTION JOINT WITH TIE BARS (STANDARD 420001)

ALL DIMENSIONS ARE IN INCHES (MILLIMETERS) UNLESS OTHERWISE SHOWN.

REVISIONS	
NAME	DATE

ILLINOIS DEPARTMENT OF TRANSPORTATION
MISCELLANEOUS SPECIAL DETAILS
DRAWN BY TD
CHECKED BY AWM
DATE MAY 03