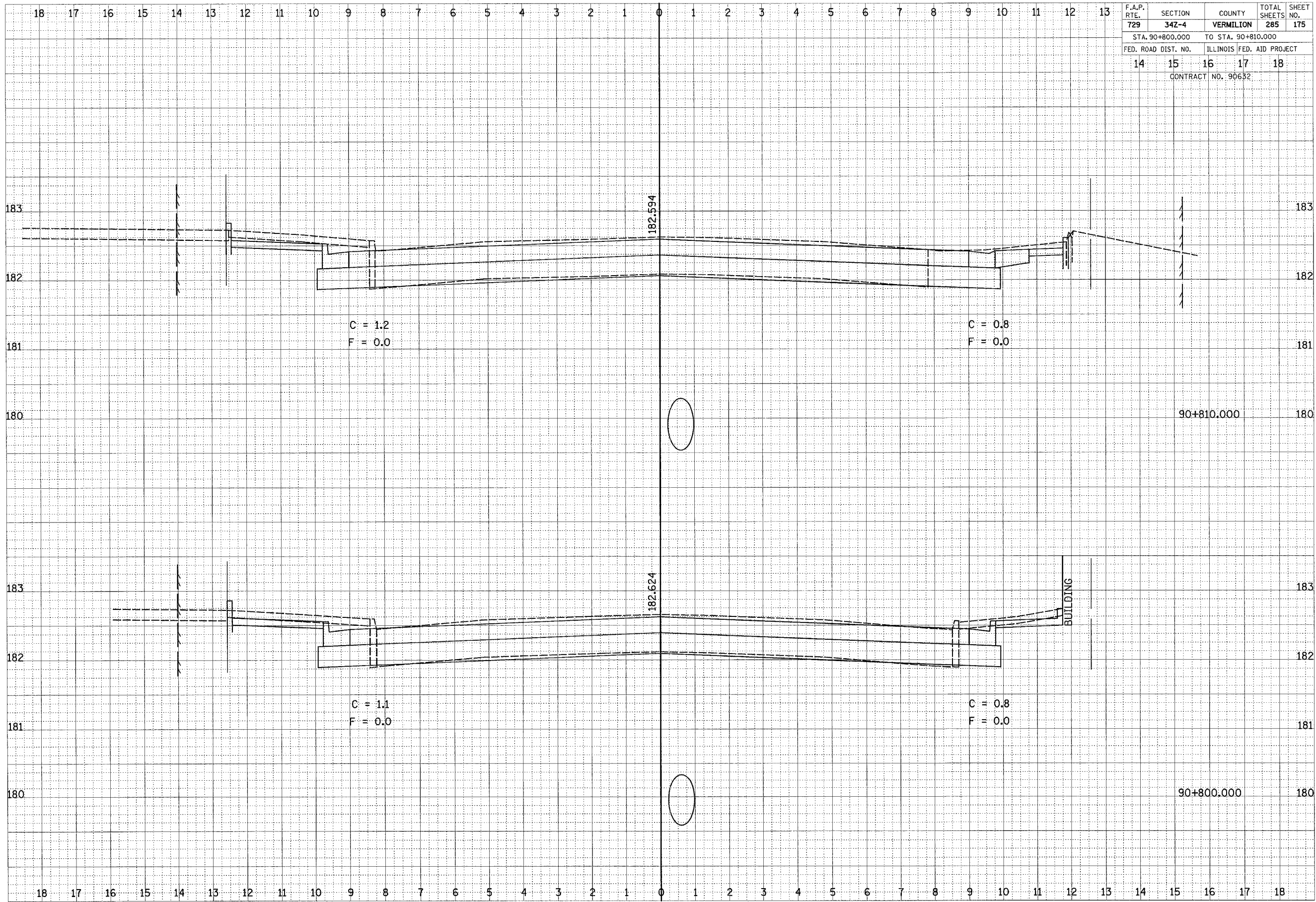


F.A.P. RTE.	SECTION	COUNTY	TOTAL SHEETS	SHEET NO.
729	34Z-4	VERMILION	285	175
STA. 90+800.000 TO STA. 90+810.000				
FED. ROAD DIST. NO.	ILLINOIS FED. AID PROJECT			
14	15	16	17	18
CONTRACT NO. 90632				

FINAL	SURVEYED	DATE
SUREY	PLOTTED	BY
NOTE BOOK	TEMPLATE	
NO.	AREAS CHECKED	

ORIGINAL	SURVEYED	DATE
SURVEY	PLOTTED	BY
NOTE BOOK	TEMPLATE	
NO.	AREAS CHECKED	



CROSS SECTIONS, FAP 729 (US 136)