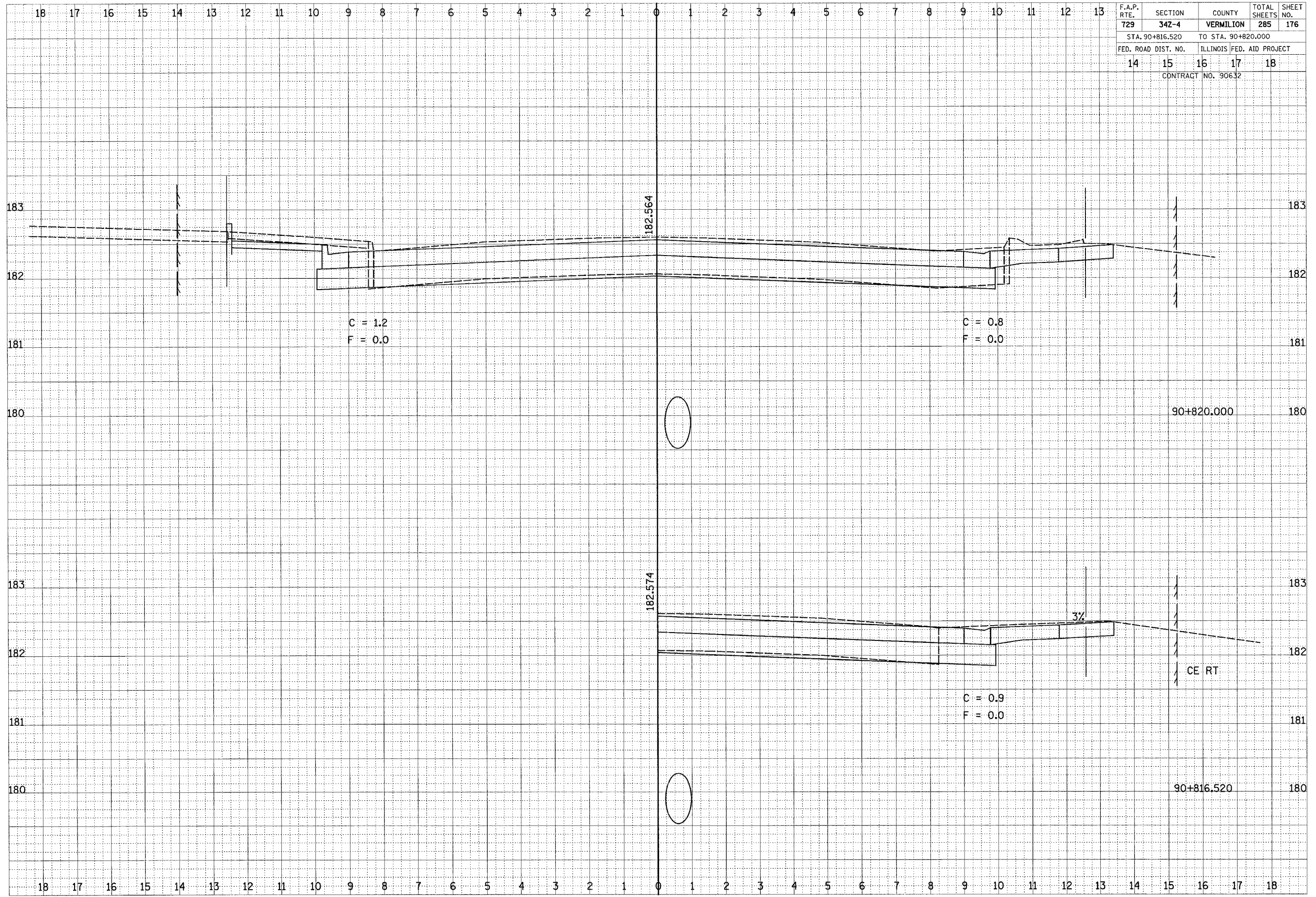


F.A.P. RTE.	SECTION	COUNTY	TOTAL SHEETS	SHEET NO.
729	342-4	VERMILION	285	176
STA. 90+816.520		TO STA. 90+820.000		
FED. ROAD DIST. NO.	ILLINOIS FED. AID PROJECT			
14	15	16	17	18
CONTRACT NO. 90632				

DATE	BY
FINAL SURVEY NOTE BOOK NO.	SURVEYED, PLOTTED, REPLATE, AREAS CHECKED

DATE	BY
ORIGINAL SURVEY NOTE BOOK NO.	SURVEYED, PLOTTED, REPLATE, AREAS CHECKED



CROSS SECTIONS, FAP 729 (US 136)