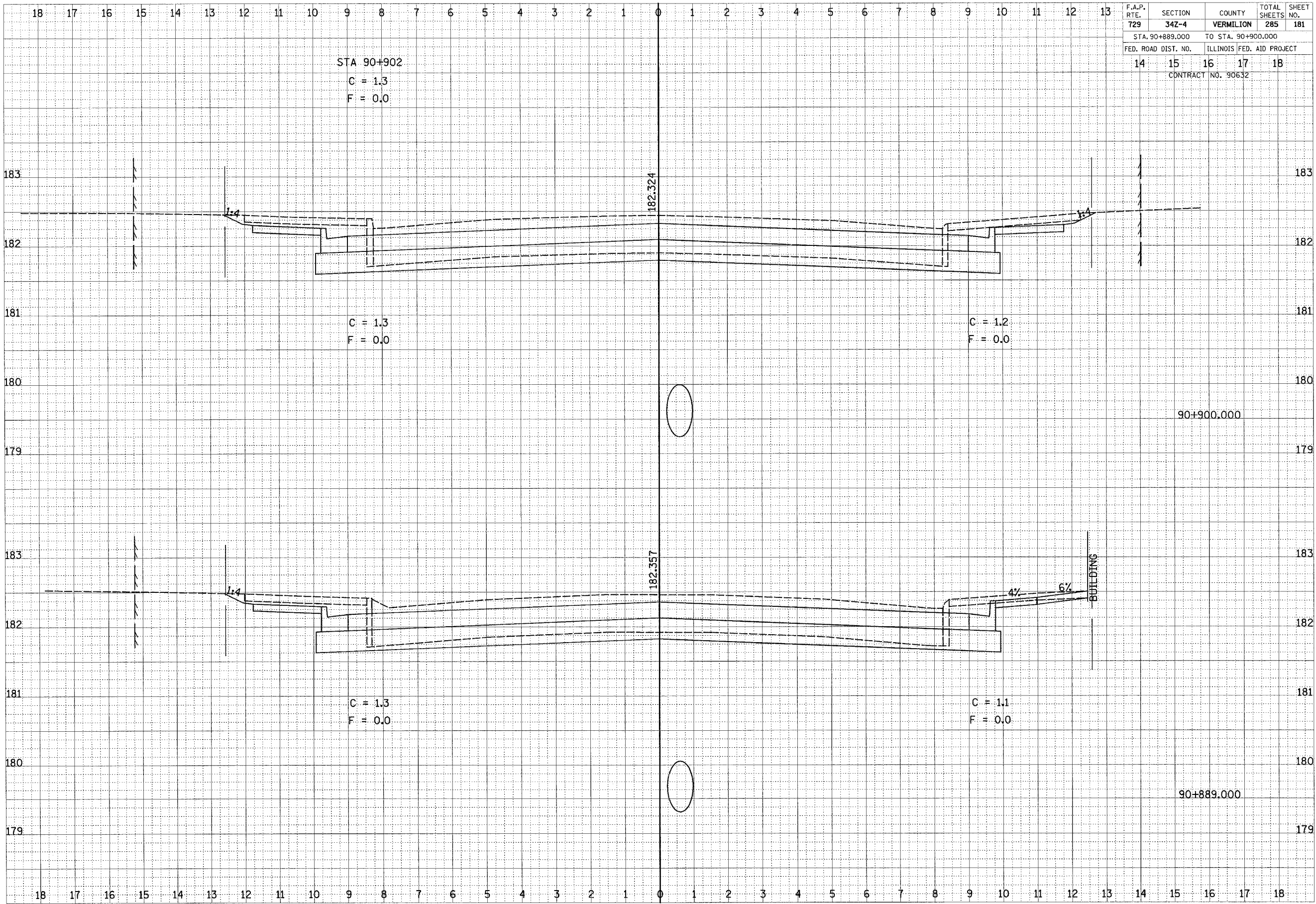


F.A.P. RTE.	SECTION	COUNTY	TOTAL SHEETS	SHEET NO.
729	34Z-4	VERMILION	285	181
STA. 90+889.000		TO STA. 90+900.000		
FED. ROAD DIST. NO.	ILLINOIS FED. AID PROJECT			
14	15	16	17	18
CONTRACT NO. 90632				



FINAL SURVEY	DATE
BY	
NO.	
AREAS CHECKED	
TEMPERATURE	
NOTE BOOK	
SURVEYED	

ORIGINAL SURVEY	DATE
BY	
NO.	
AREAS CHECKED	
TEMPERATURE	
NOTE BOOK	
SURVEYED	