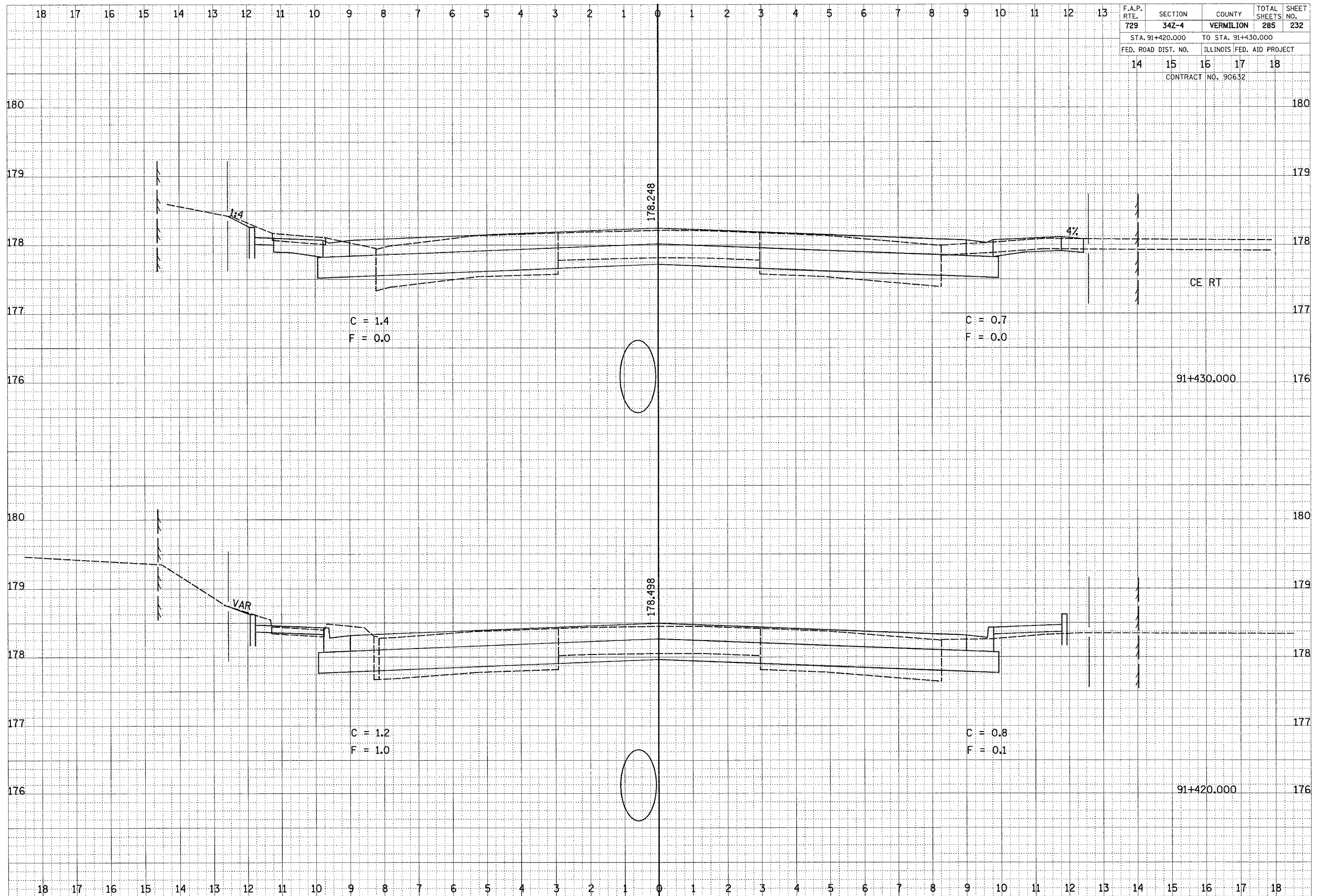


F.A.P. RTE.	SECTION	COUNTY	TOTAL SHEETS	SHEET NO.
729	342-4	VERMILION	285	232
STA. 91+420.000		TO STA. 91+430.000		
FED. ROAD DIST. NO.		ILLINOIS FED. AID PROJECT		
14	15	16	17	18
CONTRACT NO. 90632				



FINAL SURVEY	DATE
NOTE BOOK	BY
NO.	
SURVEYS PLOTTED	
TEMPLATE	
AREAS CHECKED	

ORIGINAL SURVEY	DATE
NOTE BOOK	BY
NO.	
SURVEYS PLOTTED	
TEMPLATE	
AREAS CHECKED	