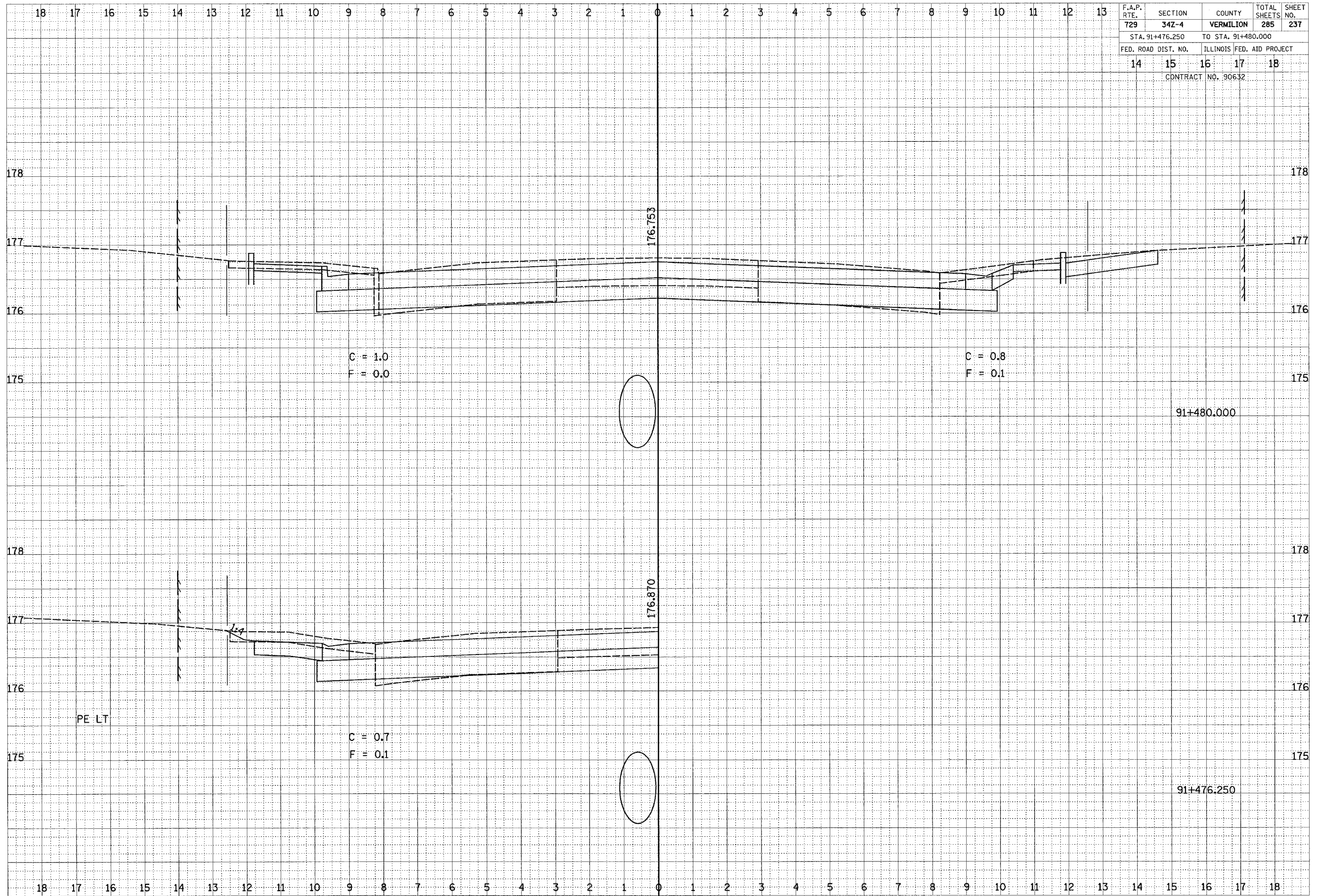


F.A.P. RTE.	SECTION	COUNTY	TOTAL SHEETS	SHEET NO.
729	34Z-4	VERMILION	285	237
STA. 91+476.250		TO STA. 91+480.000		
FED. ROAD DIST. NO.		ILLINOIS FED. AID PROJECT		
14		15 16 17 18		
CONTRACT NO. 90632				

FINAL SURVEY	BY	DATE
NO. _____	_____	_____
REVISIONS		
1. _____		
2. _____		
3. _____		
4. _____		
5. _____		
6. _____		
7. _____		
8. _____		
9. _____		
10. _____		
11. _____		
12. _____		
13. _____		
14. _____		
15. _____		
16. _____		
17. _____		
18. _____		
19. _____		
20. _____		
21. _____		
22. _____		
23. _____		
24. _____		
25. _____		
26. _____		
27. _____		
28. _____		
29. _____		
30. _____		
31. _____		
32. _____		
33. _____		
34. _____		
35. _____		
36. _____		
37. _____		
38. _____		
39. _____		
40. _____		
41. _____		
42. _____		
43. _____		
44. _____		
45. _____		
46. _____		
47. _____		
48. _____		
49. _____		
50. _____		
51. _____		
52. _____		
53. _____		
54. _____		
55. _____		
56. _____		
57. _____		
58. _____		
59. _____		
60. _____		
61. _____		
62. _____		
63. _____		
64. _____		
65. _____		
66. _____		
67. _____		
68. _____		
69. _____		
70. _____		
71. _____		
72. _____		
73. _____		
74. _____		
75. _____		
76. _____		
77. _____		
78. _____		
79. _____		
80. _____		
81. _____		
82. _____		
83. _____		
84. _____		
85. _____		
86. _____		
87. _____		
88. _____		
89. _____		
90. _____		
91. _____		
92. _____		
93. _____		
94. _____		
95. _____		
96. _____		
97. _____		
98. _____		
99. _____		
100. _____		

ORIGINAL SURVEY	BY	DATE
NO. _____	_____	_____
REVISIONS		
1. _____		
2. _____		
3. _____		
4. _____		
5. _____		
6. _____		
7. _____		
8. _____		
9. _____		
10. _____		
11. _____		
12. _____		
13. _____		
14. _____		
15. _____		
16. _____		
17. _____		
18. _____		
19. _____		
20. _____		
21. _____		
22. _____		
23. _____		
24. _____		
25. _____		
26. _____		
27. _____		
28. _____		
29. _____		
30. _____		
31. _____		
32. _____		
33. _____		
34. _____		
35. _____		
36. _____		
37. _____		
38. _____		
39. _____		
40. _____		
41. _____		
42. _____		
43. _____		
44. _____		
45. _____		
46. _____		
47. _____		
48. _____		
49. _____		
50. _____		
51. _____		
52. _____		
53. _____		
54. _____		
55. _____		
56. _____		
57. _____		
58. _____		
59. _____		
60. _____		
61. _____		
62. _____		
63. _____		
64. _____		
65. _____		
66. _____		
67. _____		
68. _____		
69. _____		
70. _____		
71. _____		
72. _____		
73. _____		
74. _____		
75. _____		
76. _____		
77. _____		
78. _____		
79. _____		
80. _____		
81. _____		
82. _____		
83. _____		
84. _____		
85. _____		
86. _____		
87. _____		
88. _____		
89. _____		
90. _____		
91. _____		
92. _____		
93. _____		
94. _____		
95. _____		
96. _____		
97. _____		
98. _____		
99. _____		
100. _____		



CROSS SECTIONS, FAP 729 (US 136)