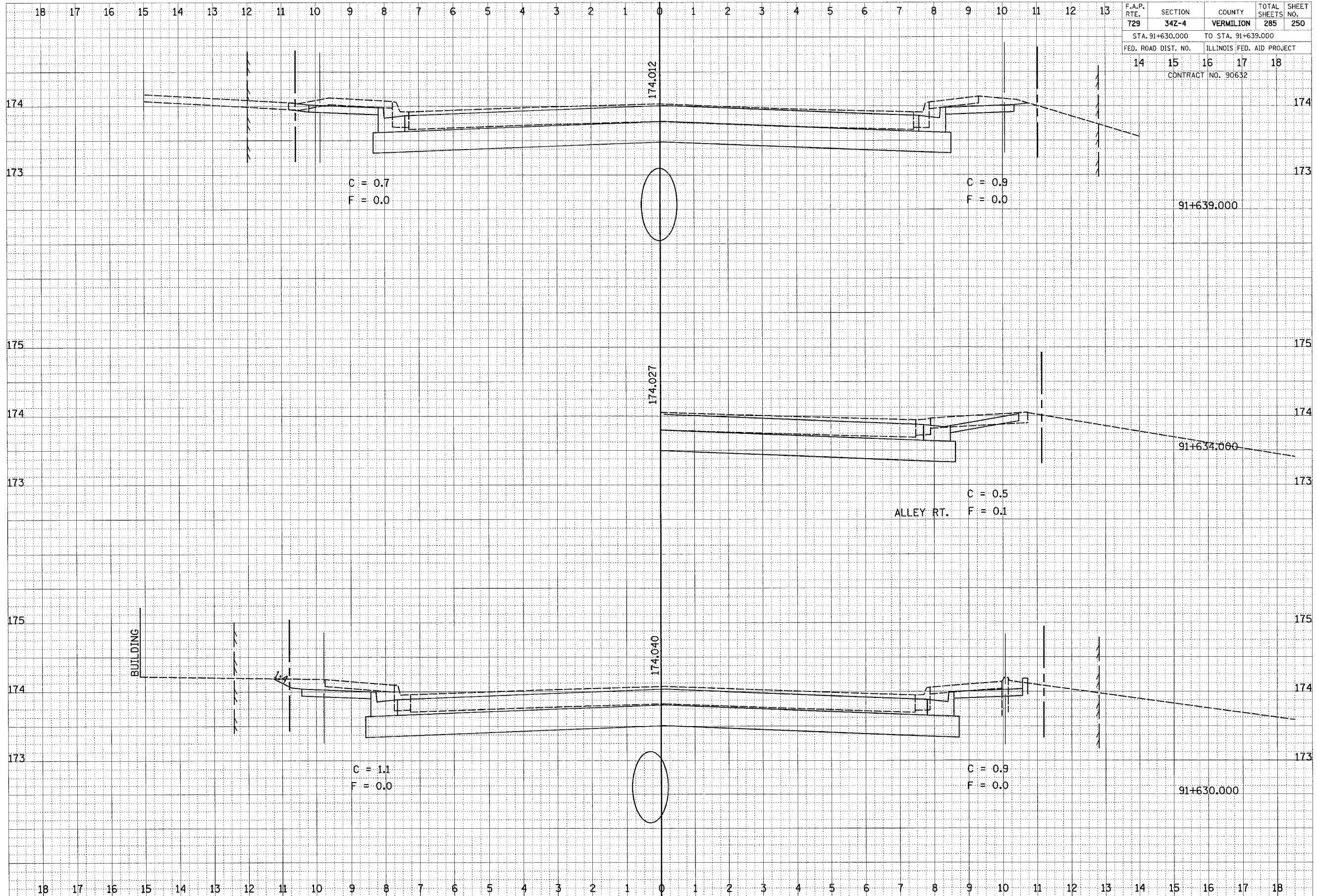


F.A.P. RTE.	SECTION	COUNTY	TOTAL SHEETS	SHEET NO.
729	342-4	VERMILION	285	250
STA. 91+630.000 TO STA. 91+639.000				
FED. ROAD DIST. NO. 14			ILLINOIS FED. AID PROJECT	
	15	16	17	18
CONTRACT NO. 90632				

DATE	BY
REVISIONS	
NO.	REAS. CHECKED

DATE	BY
REVISIONS	
NO.	REAS. CHECKED



CROSS SECTIONS, FAP 729 (US 136)