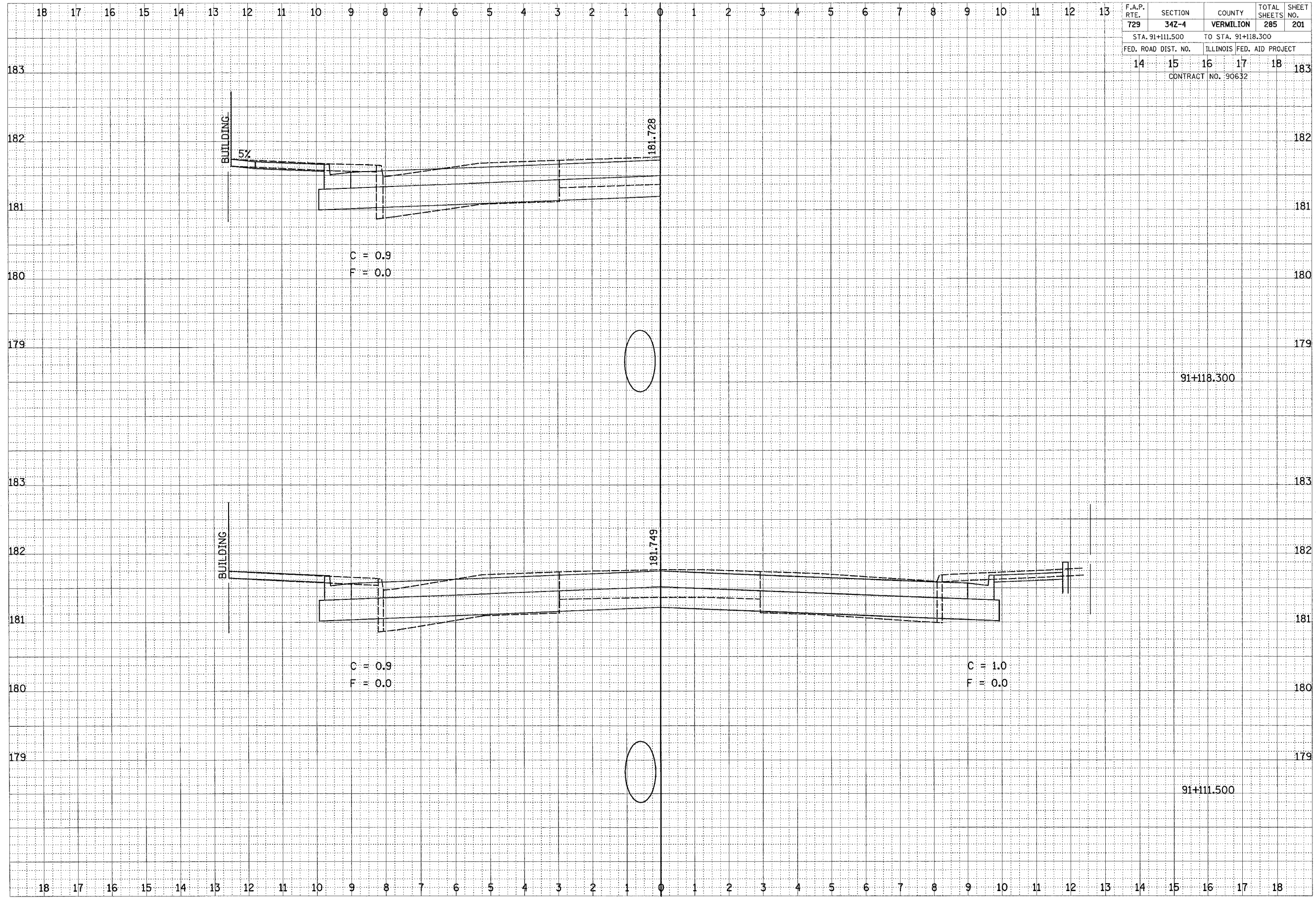


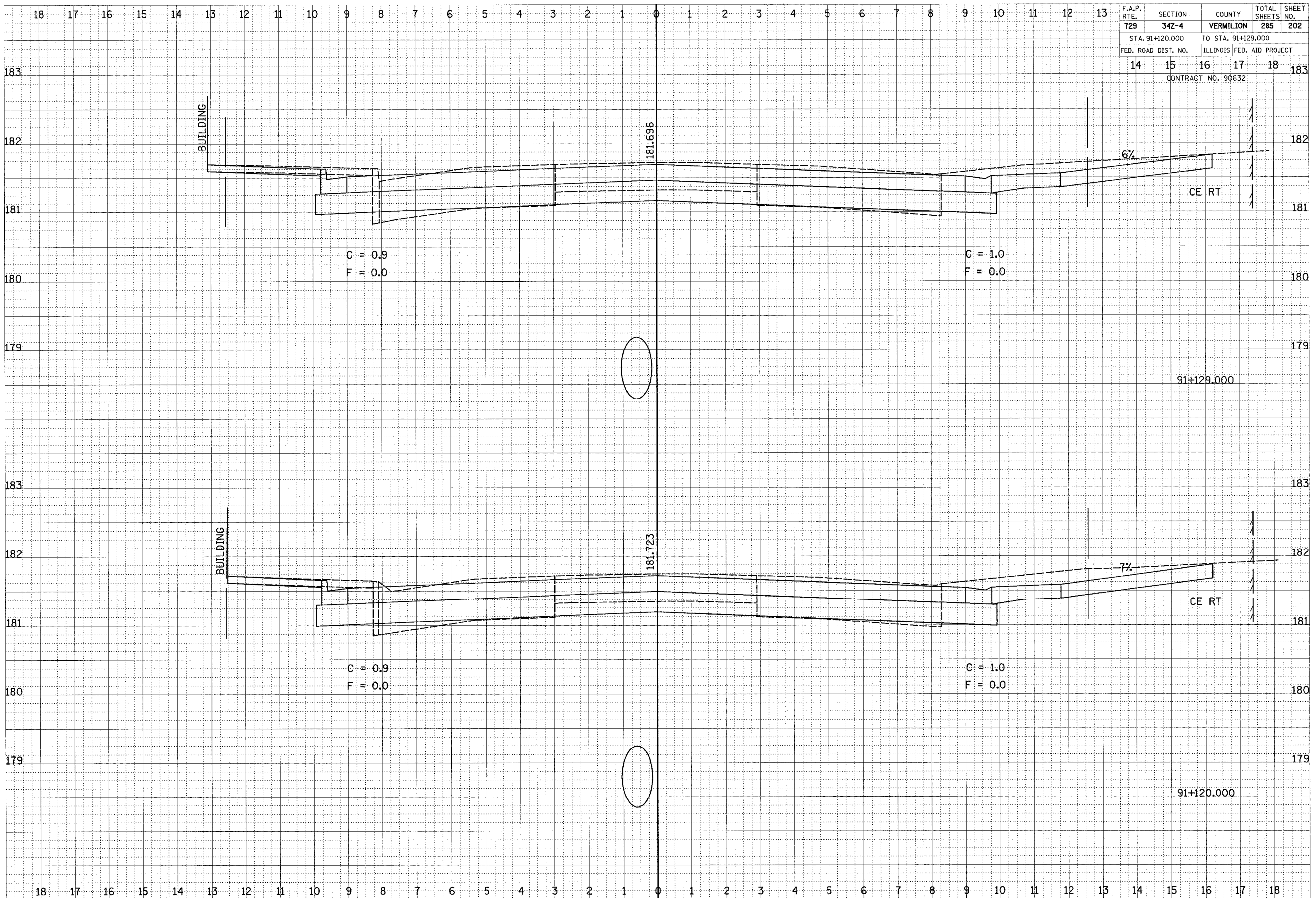
F.A.P. RTE.	SECTION	COUNTY	TOTAL SHEETS	SHEET NO.
729	34Z-4	VERMILION	285	201
STA. 91+111.500		TO STA. 91+118.300		
FED. ROAD DIST. NO.		ILLINOIS FED. AID PROJECT		
14	15	16	17	18
CONTRACT NO. 90632				

DATE	BY
FINAL SURVEY	SURVEYED
NOTE BOOK	PLOTTED
AREAS CHECKED	AREAS CHECKED

DATE	BY
ORIGINAL SURVEY	SURVEYED
NOTE BOOK	PLOTTED
AREAS CHECKED	AREAS CHECKED



F.A.P. RTE.	SECTION	COUNTY	TOTAL SHEETS	SHEET NO.
729	342-4	VERMILION	285	202
STA. 91+120.000		TO STA. 91+129.000		
FED. ROAD DIST. NO.		ILLINOIS FED. AID PROJECT		
14	15	16	17	18
CONTRACT NO. 90632				



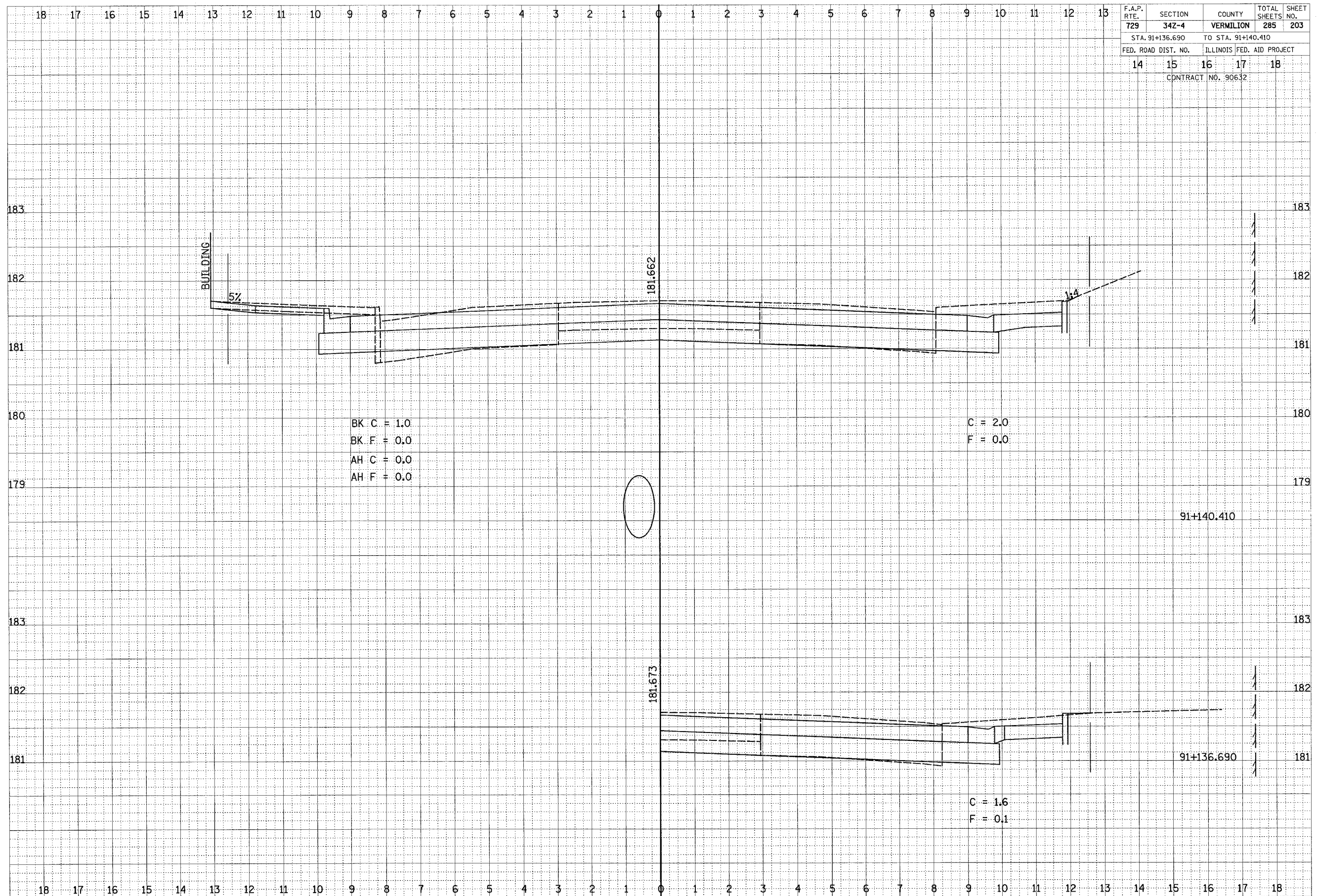
FINISH	DATE
SURVEY	BY
NOTE BOOK	
AREAS CHECKED	

ORIGINAL	DATE
SURVEY	BY
NOTE BOOK	
AREAS CHECKED	

F.A.P. RTE.	SECTION	COUNTY	TOTAL SHEETS	SHEET NO.
729	34Z-4	VERMILION	285	203
STA. 91+136.690		TO STA. 91+140.410		
FED. ROAD DIST. NO.	ILLINOIS FED. AID PROJECT			
14	15	16	17	18
CONTRACT NO. 90632				

FINAL SURVEY	DATE
REVISION	BY
PLOTTED	
TEMPLATE	
NOTE BOOK	
AREAS CHECKED	
NO.	

ORIGINAL SURVEY	DATE
REVISION	BY
PLOTTED	
TEMPLATE	
NOTE BOOK	
AREAS CHECKED	
NO.	



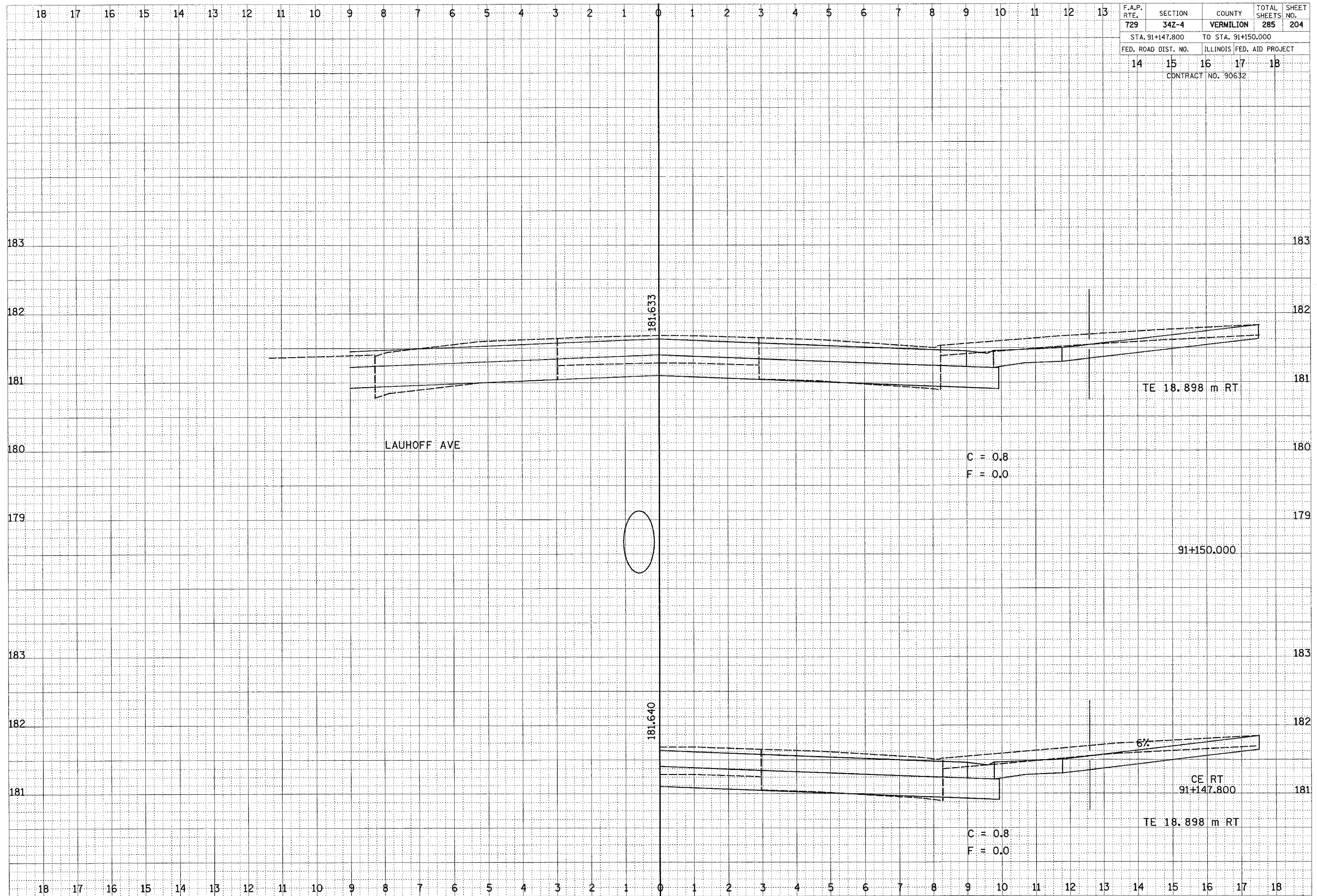
CROSS SECTIONS, FAP 729 (US 136)



F.A.P. RTE.	SECTION	COUNTY	TOTAL SHEETS	SHEET NO.
729	34Z-4	VERMILION	285	204
STA. 91+147.800		TO STA. 91+150.000		
FED. ROAD DIST. NO.		ILLINOIS FED. AID PROJECT		
14 15 16 17 18		CONTRACT NO. 90632		

FINAL SURVEY	DATE
BY	
SURVEY	
NOTE BOOK	
NO.	
PLOTTED	
TEMPLATE	
AREAS CHECKED	

ORIGINAL SURVEY	DATE
BY	
SURVEY	
NOTE BOOK	
NO.	
PLOTTED	
TEMPLATE	
AREAS CHECKED	

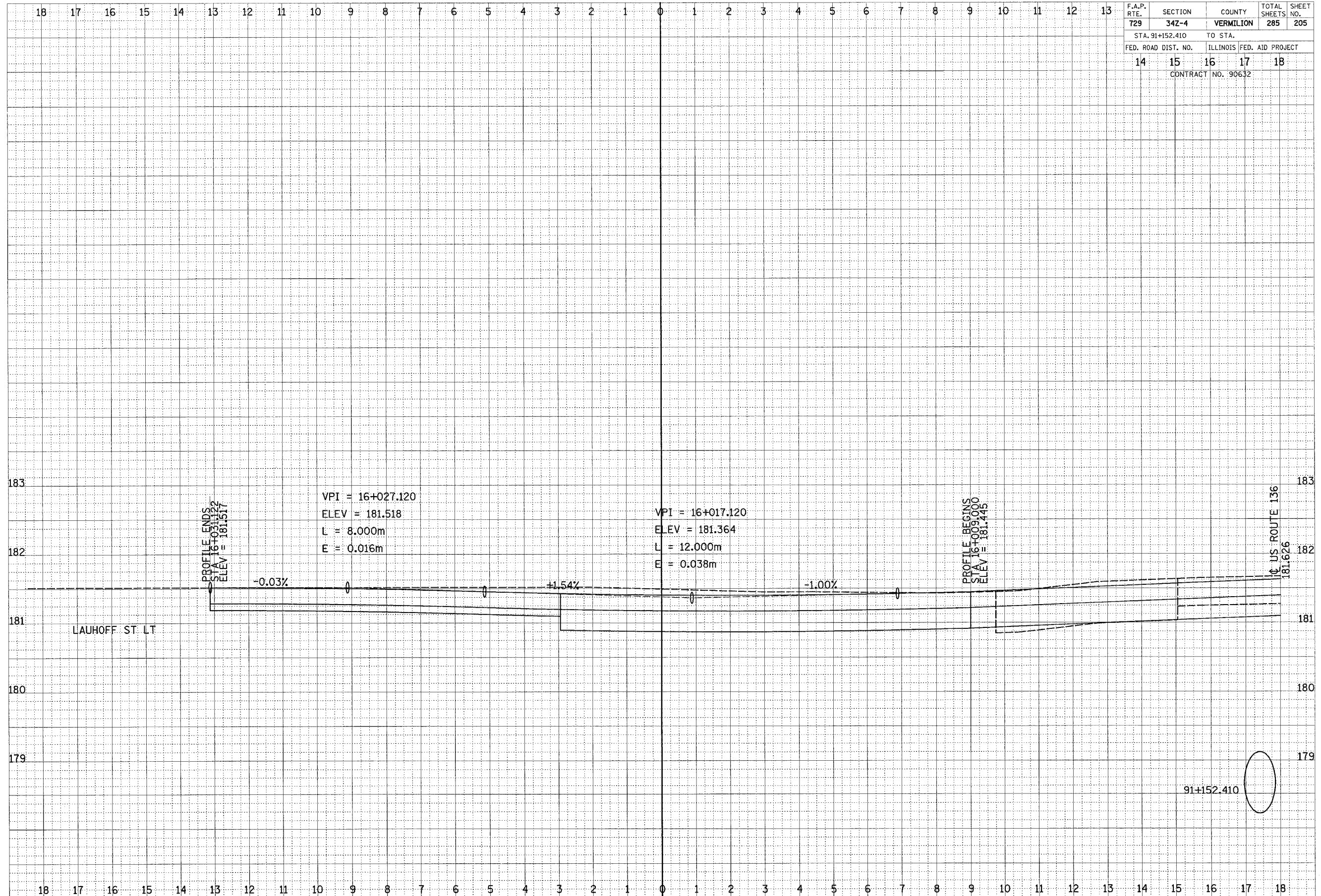




F.A.P. RTE.	SECTION	COUNTY	TOTAL SHEETS	SHEET NO.
729	34Z-4	VERMILION	285	205
STA. 91+152.410		TO STA.		
FED. ROAD DIST. NO.	ILLINOIS FED. AID PROJECT			
14	15	16	17	18
CONTRACT NO. 90632				

FINAL SURVEY	DATE
REVISIONS	BY
PLOTTED	
TEMPLATE	
NOTE BOOK	
AREAS CHECKED	
NO.	

ORIGINAL SURVEY	DATE
REVISIONS	BY
PLOTTED	
TEMPLATE	
NOTE BOOK	
AREAS CHECKED	
NO.	

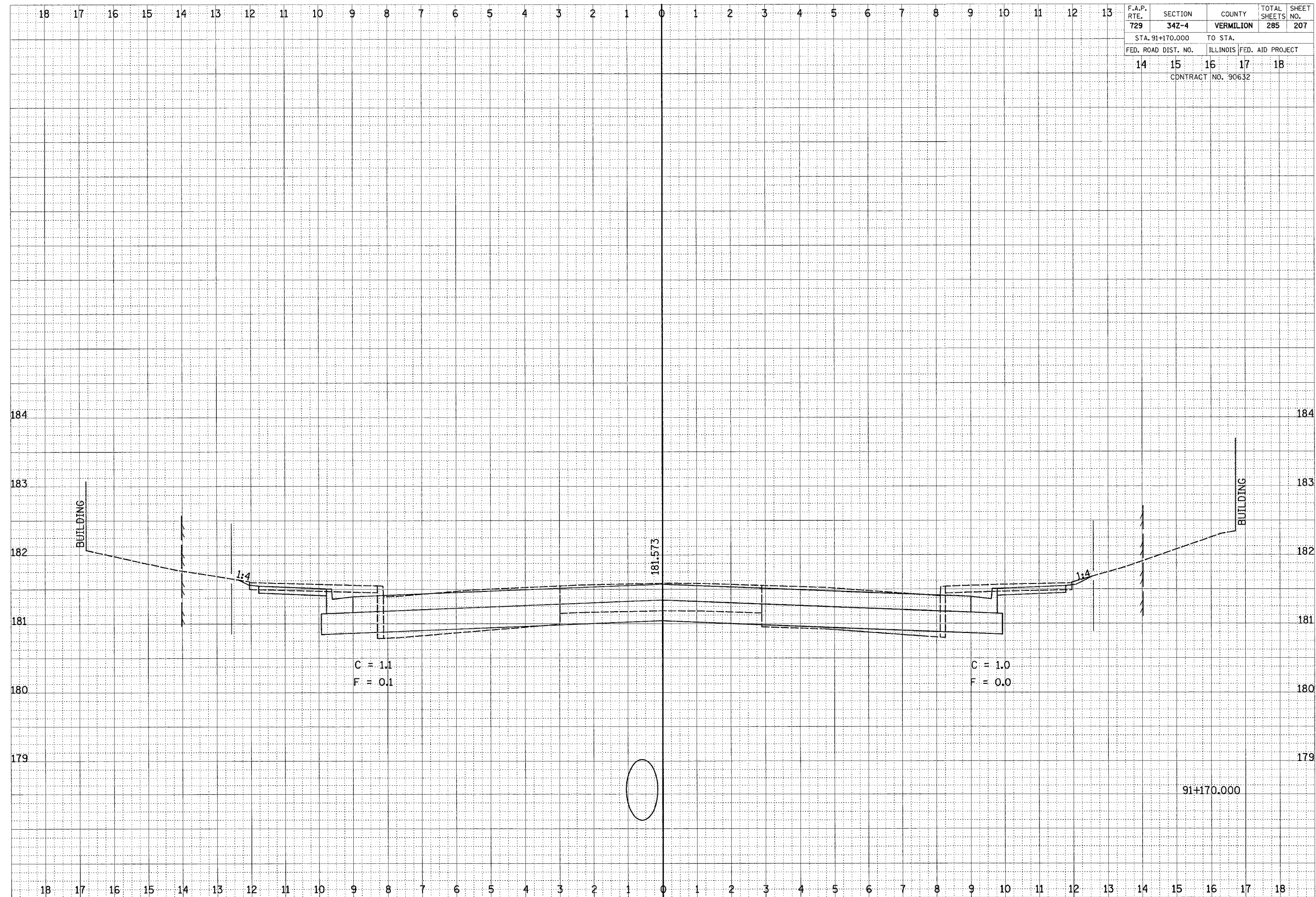




F.A.P. RTE.	SECTION	COUNTY	TOTAL SHEETS	SHEET NO.
729	34Z-4	VERMILION	285	207
STA. 91+170.000		TO STA.		
FED. ROAD DIST. NO.	ILLINOIS FED. AID PROJECT			
14	15	16	17	18
CONTRACT NO. 90632				

FINAL SURVEY	DATE
SURVEYED	BY
PLOTTED	
TEMPLATE	
NOTE BOOK	
NO.	AREAS CHECKED

ORIGINAL SURVEY	DATE
SURVEYED	BY
PLOTTED	
TEMPLATE	
NOTE BOOK	
NO.	AREAS CHECKED

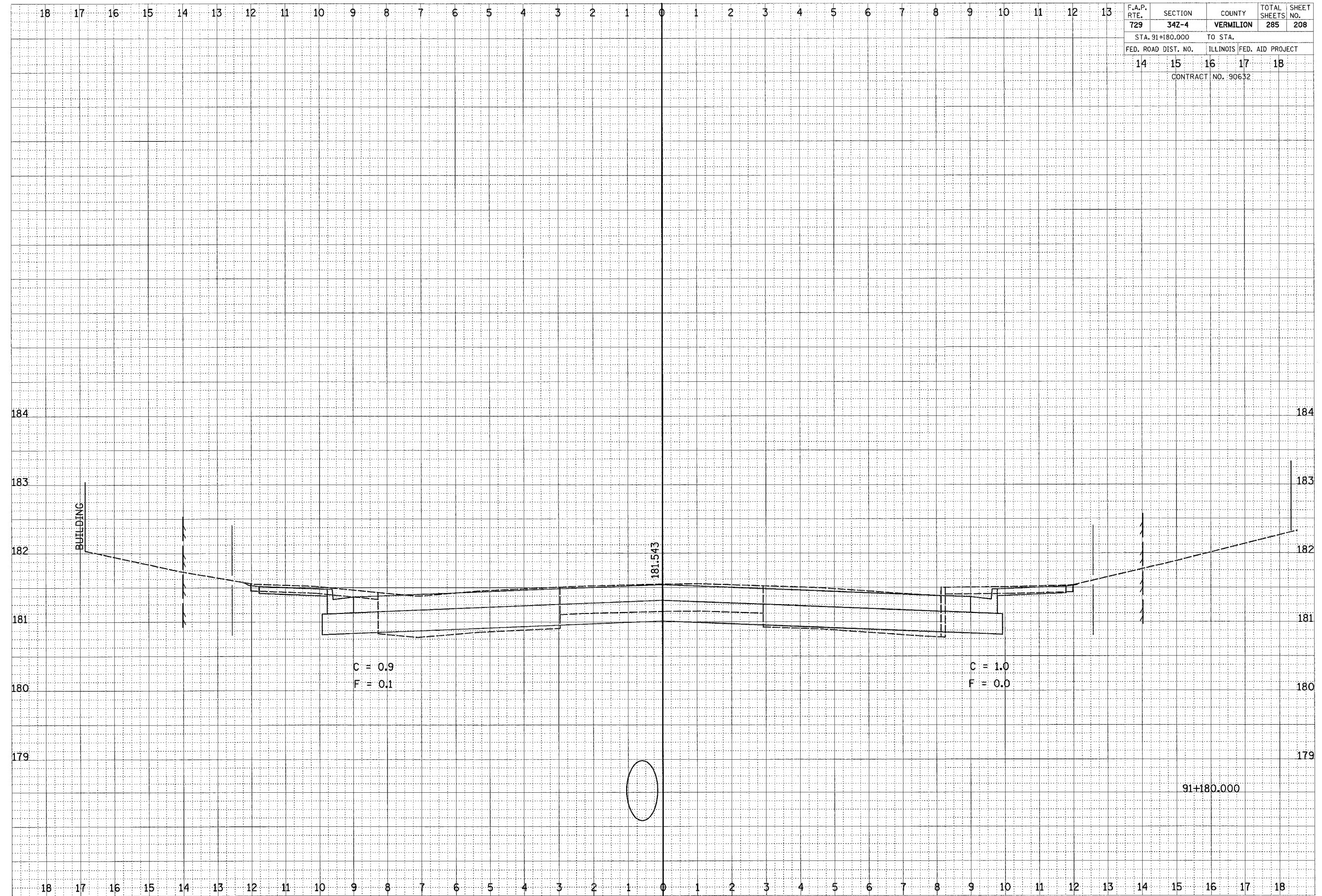




F.A.P. RTE.	SECTION	COUNTY	TOTAL SHEETS	SHEET NO.
729	342-4	VERMILION	285	208
STA. 91+180.000		TO STA.		
FED. ROAD DIST. NO.	ILLINOIS FED. AID PROJECT			
14	15	16	17	18
CONTRACT NO. 90632				

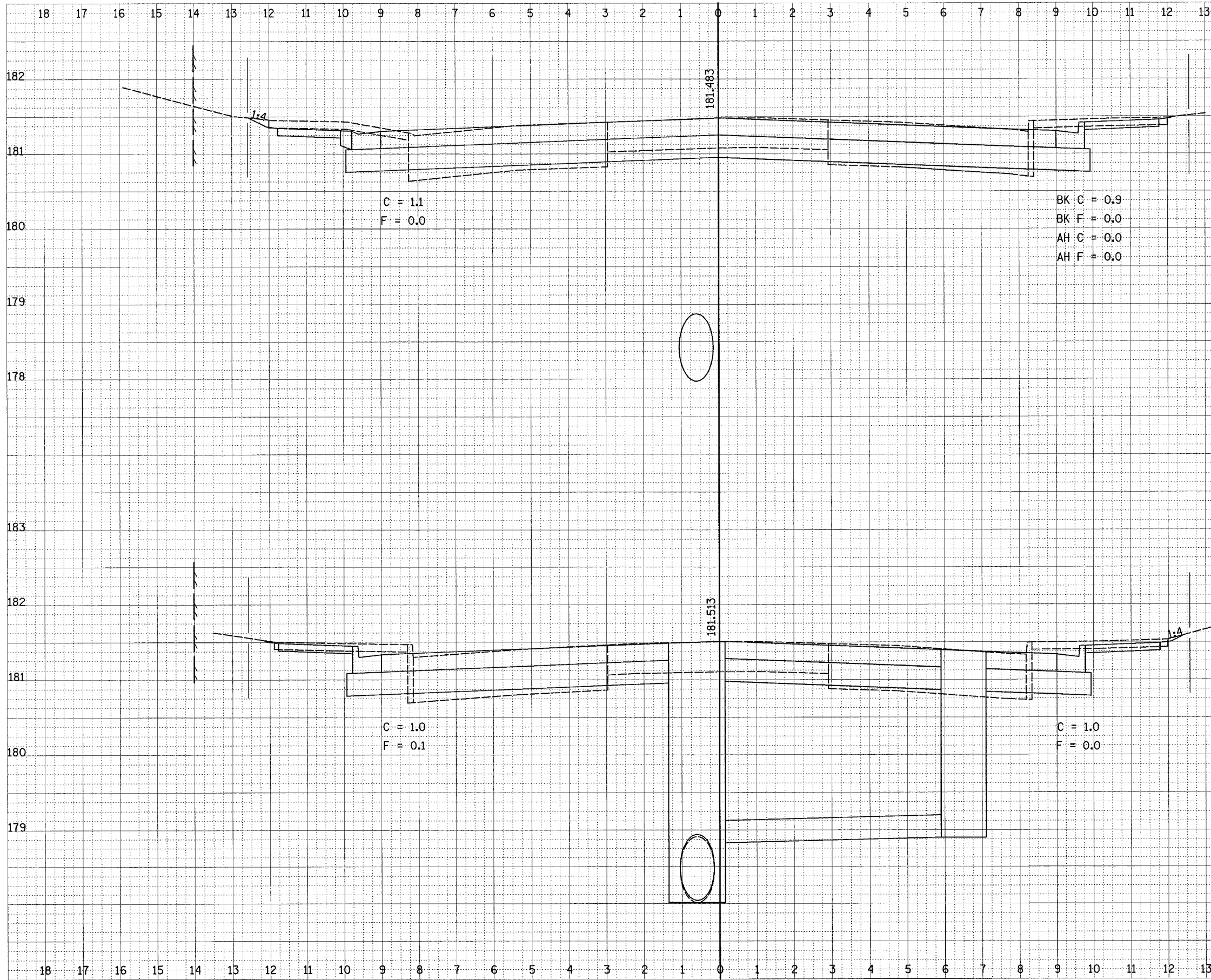
FINAL SURVEY	SURVEYED	BY	DATE
NOTE BOOK NO.	PLOTTED		
	TEMPLATE		
	AREAS CHECKED		

ORIGINAL SURVEY	SURVEYED	BY	DATE
NOTE BOOK NO.	PLOTTED		
	TEMPLATE		
	AREAS CHECKED		



CROSS SECTIONS, FAP 729 (US 136)

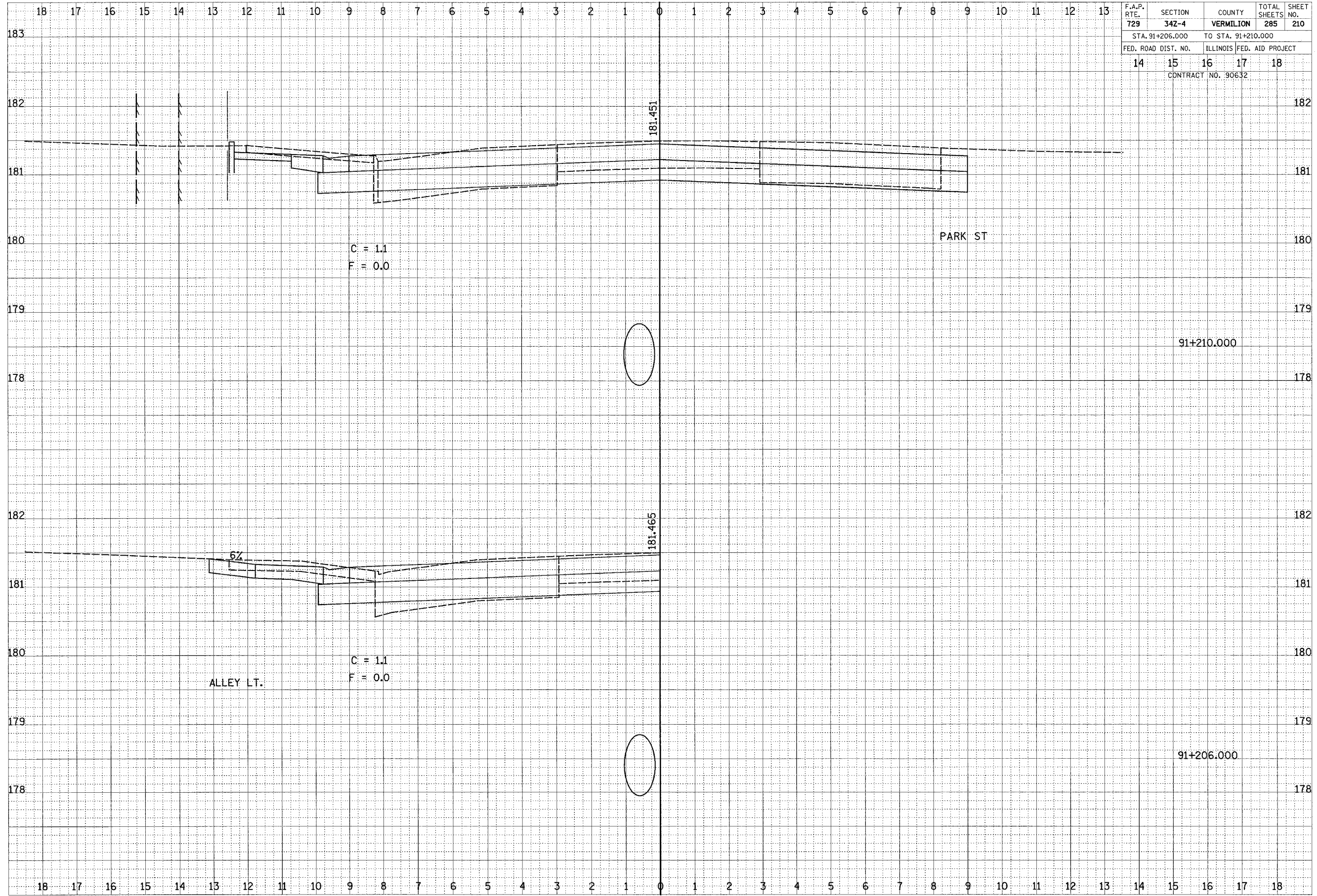
F.A.P. RTE.	SECTION	COUNTY	TOTAL SHEETS	SHEET NO.
729	34Z-4	VERMILION	285	209
STA. 91+190.000		TO STA. 91+200.000		
FED. ROAD DIST. NO.	ILLINOIS	FED. AID PROJECT		
14	15	16 17 18	182	
CONTRACT NO. 90632				



DATE	BY
REVISIONS	
NO.	
ORIGINAL SURVEY	PLOTTED
NOTE BOOK	TEMPLATE
	AREAS CHECKED

DATE	BY
REVISIONS	
NO.	
ORIGINAL SURVEY	PLOTTED
NOTE BOOK	TEMPLATE
	AREAS CHECKED

F.A.P. RTE.	SECTION	COUNTY	TOTAL SHEETS	SHEET NO.
729	342-4	VERMILION	285	210
STA. 91+206.000		TO STA. 91+210.000		
FED. ROAD DIST. NO.	ILLINOIS	FED. AID PROJECT		
14	15	16	17	18
CONTRACT NO. 90632				



FINAL SURVEY	BY	DATE
REVISIONS		
NOTE BOOK		
NO.		

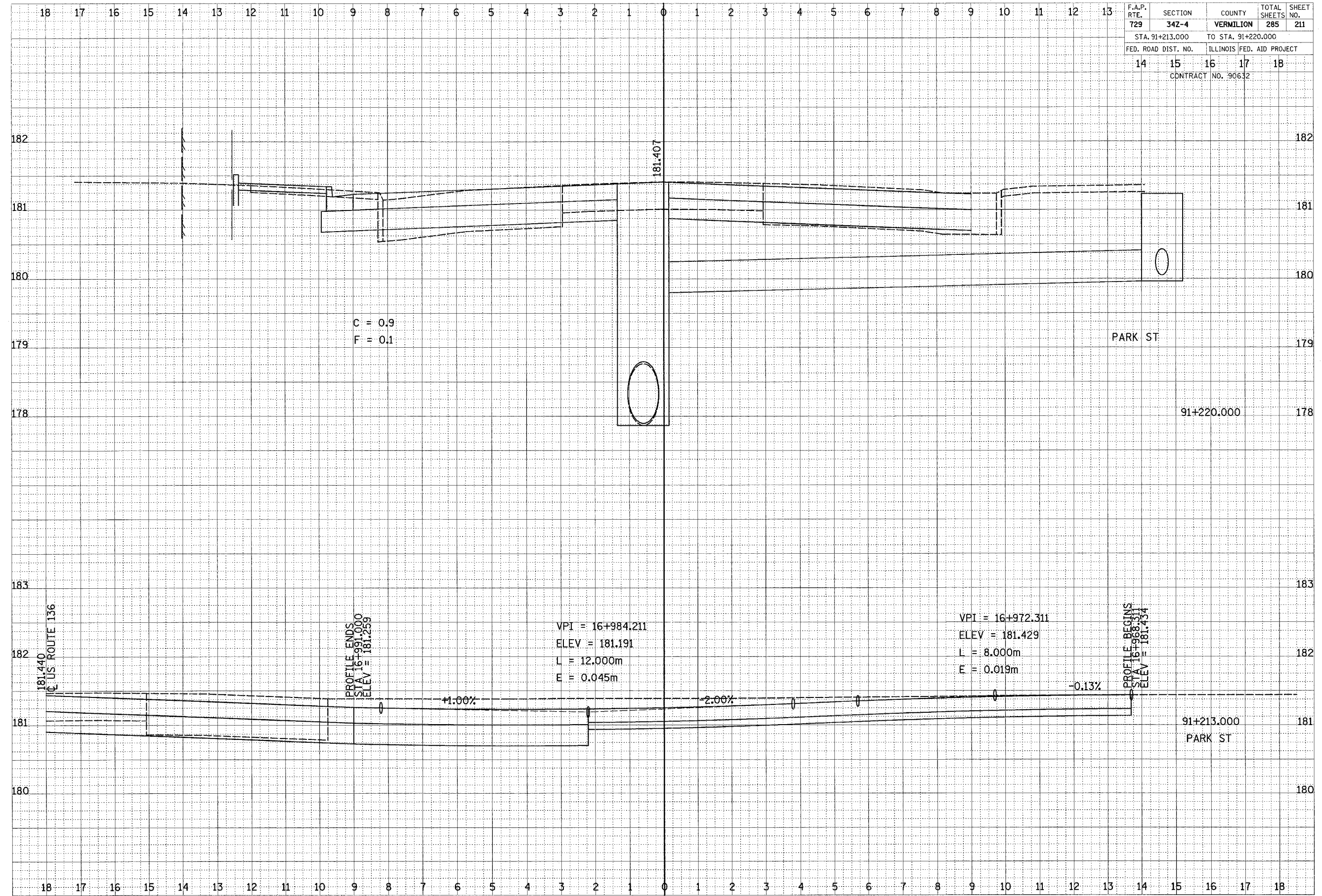
ORIGINAL SURVEY	BY	DATE
REVISIONS		
NOTE BOOK		
NO.		



F.A.P. RTE.	SECTION	COUNTY	TOTAL SHEETS	SHEET NO.
729	342-4	VERMILION	285	211
STA. 91+213.000		TO STA. 91+220.000		
FED. ROAD DIST. NO.		ILLINOIS FED. AID PROJECT		
14		15 16 17 18		
CONTRACT NO. 90632				

FINAL SURVEY	DATE
BY	
SURVEYED	
PLOTTED	
TEMPERATURE	
NOTE BOOK	
NO.	
AREAS CHECKED	

ORIGINAL SURVEY	DATE
BY	
SURVEYED	
PLOTTED	
TEMPERATURE	
NOTE BOOK	
NO.	
AREAS CHECKED	



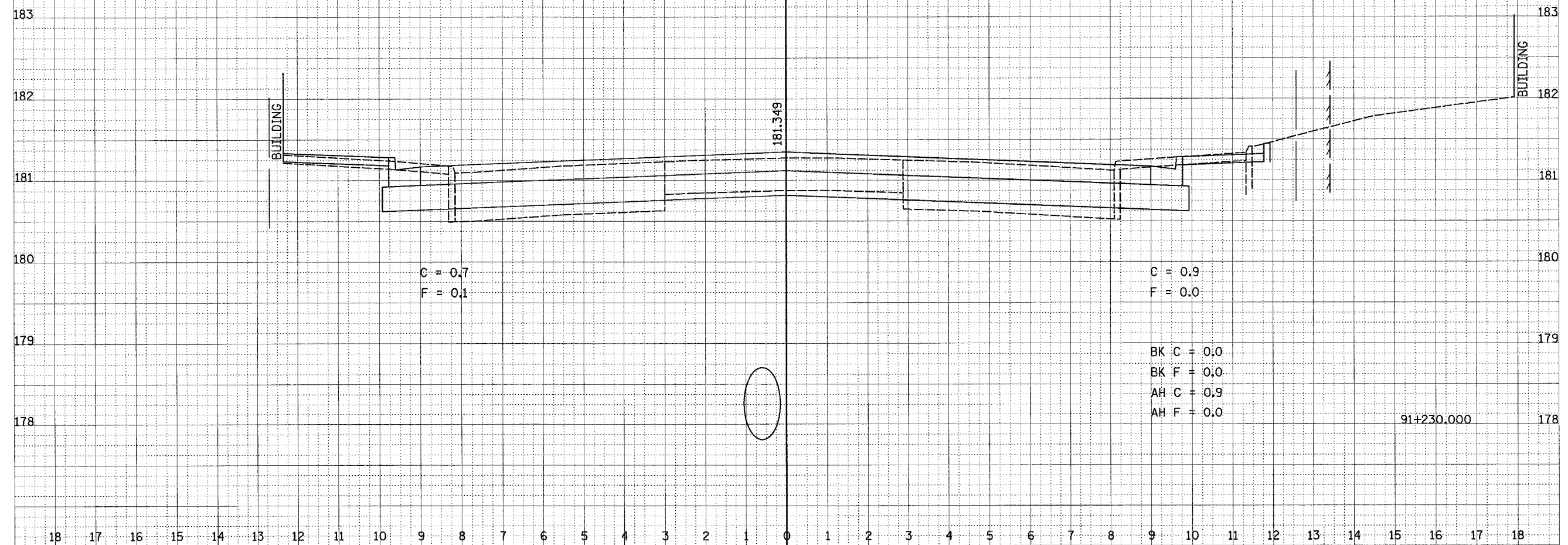
CROSS SECTIONS, FAP 729 (US 136)

18 17 16 15 14 13 12 11 10 9 8 7 6 5 4 3 2 1 0 1 2 3 4 5 6 7 8 9 10 11 12 13

F.A.P. RTE.	SECTION	COUNTY	TOTAL SHEETS	SHEET NO.
729	34Z-4	VERMILION	285	212
STA. 91+230.000		TO STA.		
FED. ROAD DIST. NO.	ILLINOIS FED. AID PROJECT			
14	15	16	17	18
CONTRACT NO. 90632				

FINAL SURVEY NOTE BOOK NO.	SURVEYED PLATTED TEMPLATE AREAS CHECKED	BY	DATE

ORIGINAL SURVEY NOTE BOOK NO.	CHECKED PLOTTED TEMPLATE AREAS CHECKED	BY	DATE



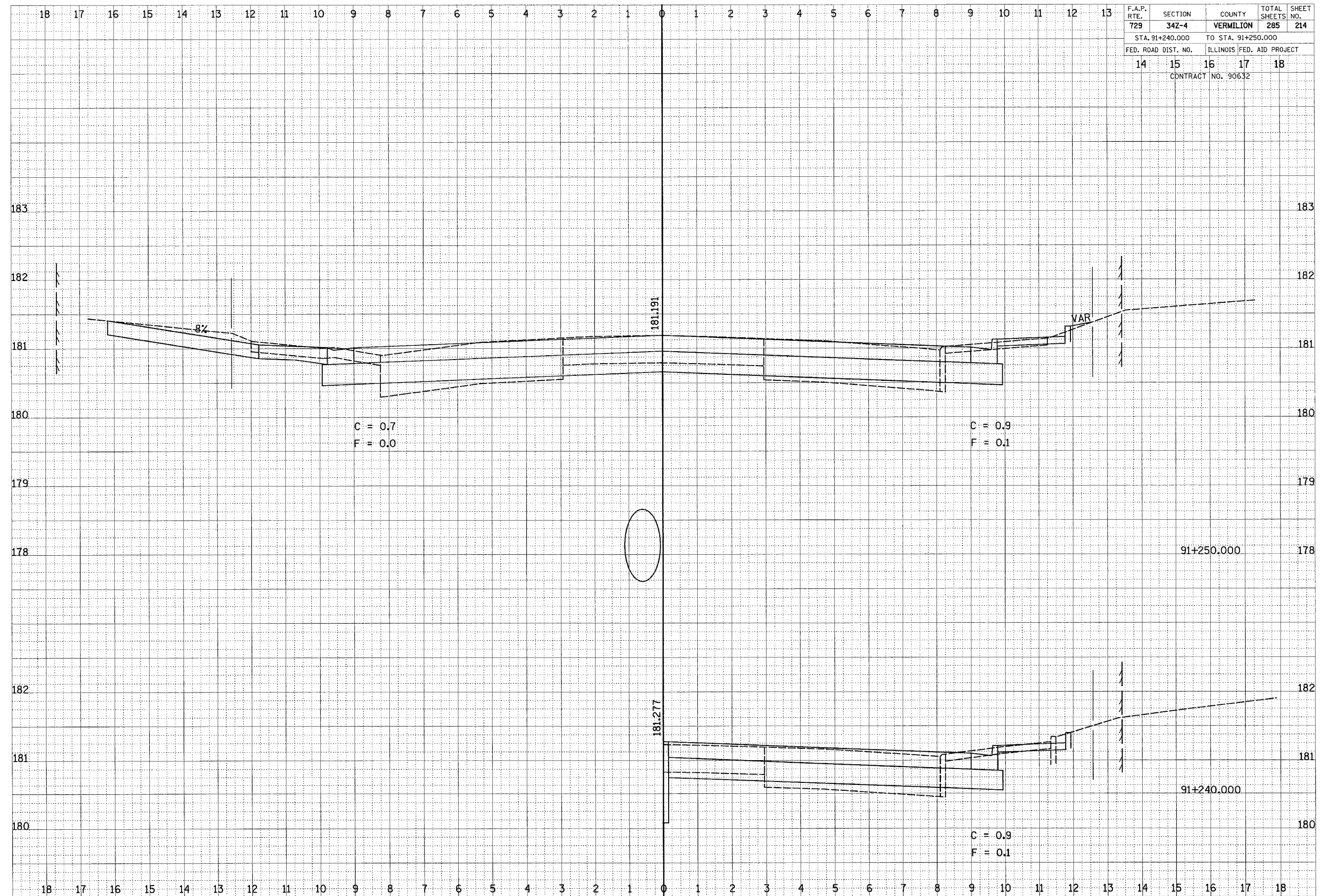




F.A.P. RTE.	SECTION	COUNTY	TOTAL SHEETS	SHEET NO.
729	342-4	VERMILION	285	214
STA. 91+240.000		TO STA. 91+250.000		
FED. ROAD DIST. NO.		ILLINOIS FED. AID PROJECT		
14	15	16	17	18
CONTRACT NO. 90632				

FINAL SURVEY	SURVEYED	DATE
NOTE BOOK NO.	PLOTTED	
	TEMPLATE	
	AREAS CHECKED	

ORIGINAL SURVEY	SURVEYED	DATE
NOTE BOOK NO.	PLOTTED	
	TEMPLATE	
	AREAS CHECKED	

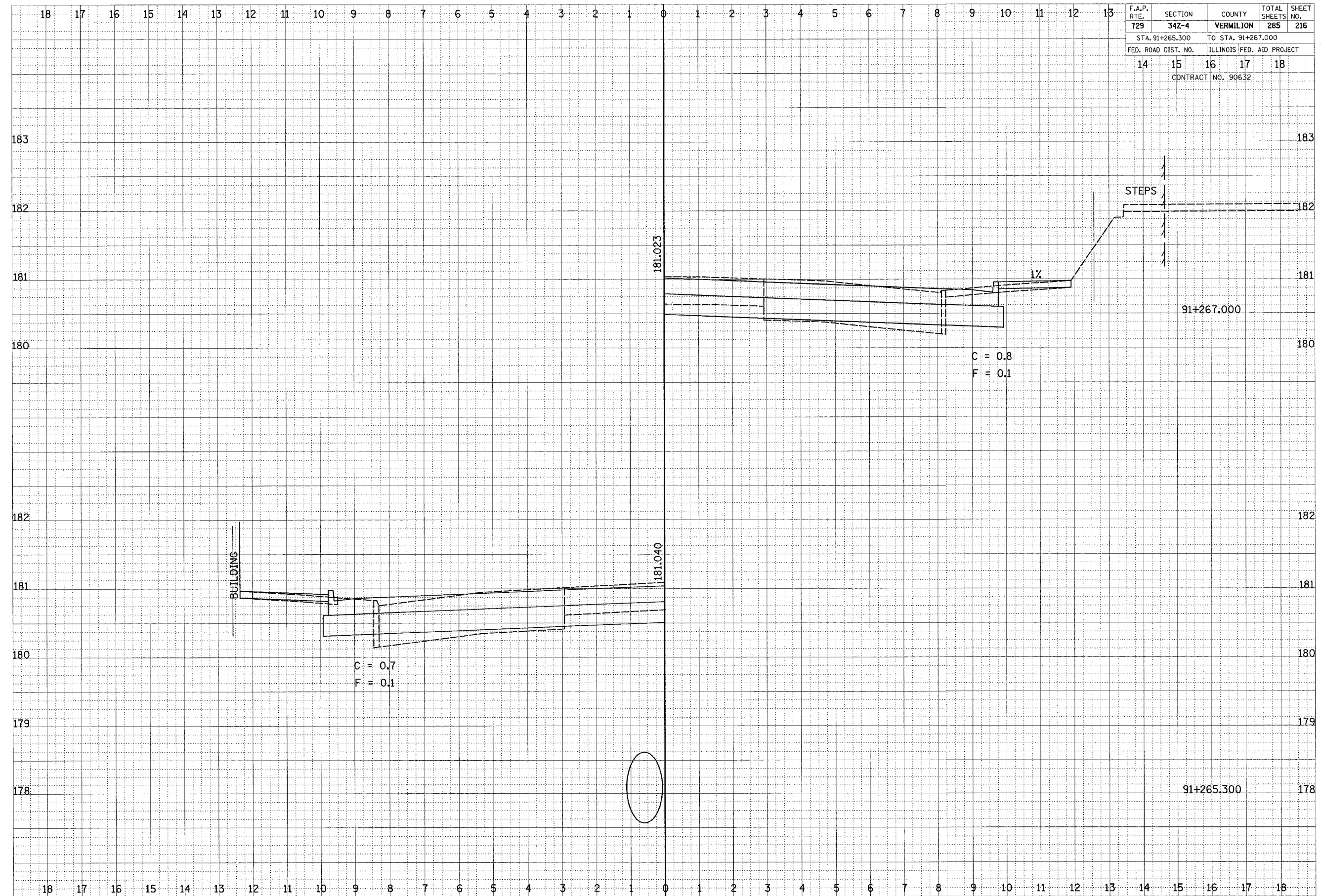




F.A.P. RTE.	SECTION	COUNTY	TOTAL SHEETS	SHEET NO.
729	34Z-4	VERMILION	285	216
STA. 91+265.300		TO STA. 91+267.000		
FED. ROAD DIST. NO.		ILLINOIS FED. AID PROJECT		
14	15	16	17	18
CONTRACT NO. 90632				

DATE	BY
DESIGNED	BY
PLOTTED	BY
TEMPLATE	BY
NOTE BOOK	NO.
AREAS CHECKED	

DATE	BY
DESIGNED	BY
PLOTTED	BY
TEMPLATE	BY
NOTE BOOK	NO.
AREAS CHECKED	



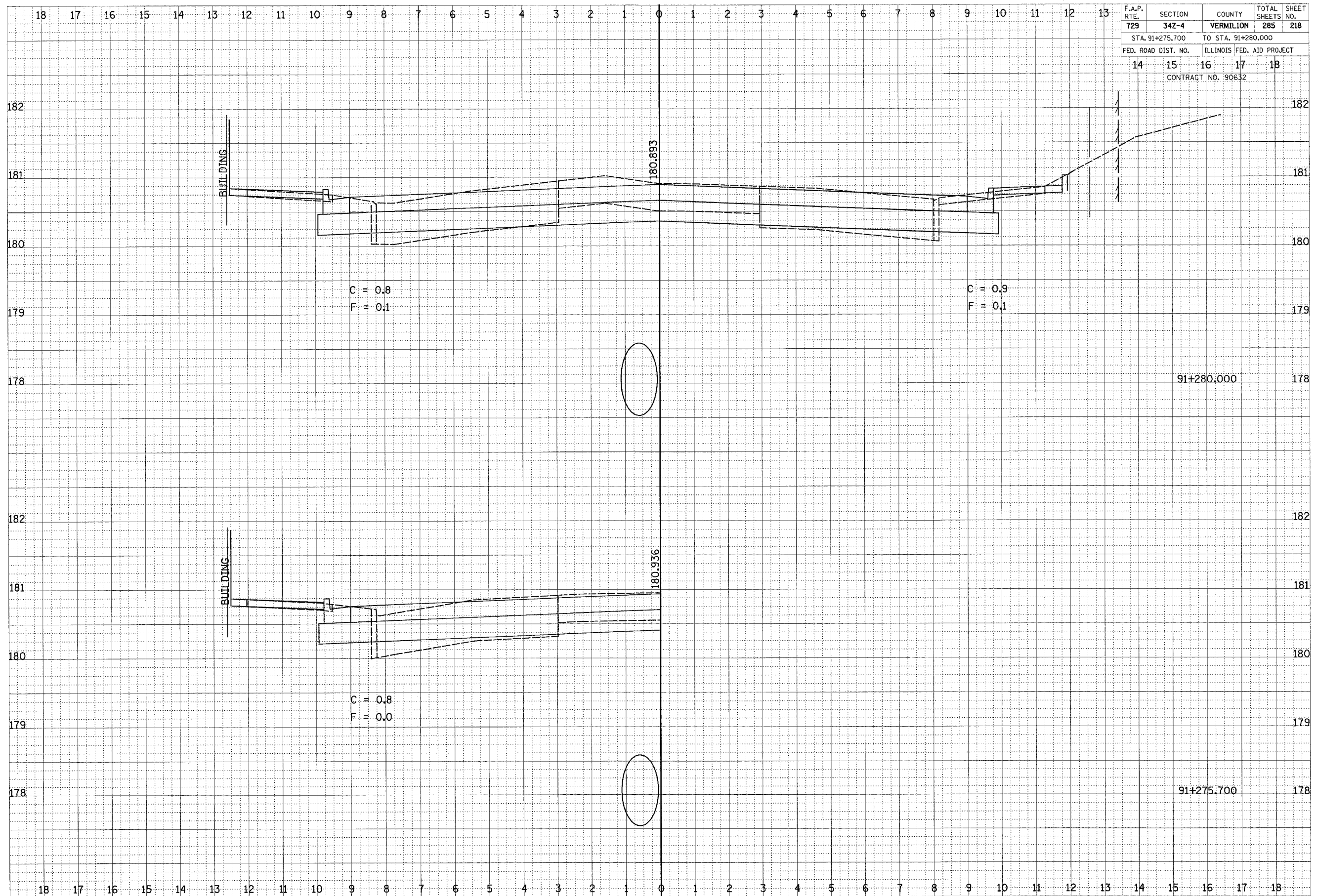




F.A.P. RTE.	SECTION	COUNTY	TOTAL SHEETS	SHEET NO.
729	34Z-4	VERMILION	285	218
STA. 91+275.700		TO STA. 91+280.000		
FED. ROAD DIST. NO.		ILLINOIS FED. AID PROJECT		
14		15 16 17 18		
CONTRACT NO. 90632				

FINISH SURVEY	DATE
REVISIONS	BY
PLOTTED	
TEMPLATE	
NOTE BOOK	
AREAS CHECKED	
NO.	

ORIGINAL SURVEY	DATE
REVISIONS	BY
PLOTTED	
TEMPLATE	
NOTE BOOK	
AREAS CHECKED	
NO.	







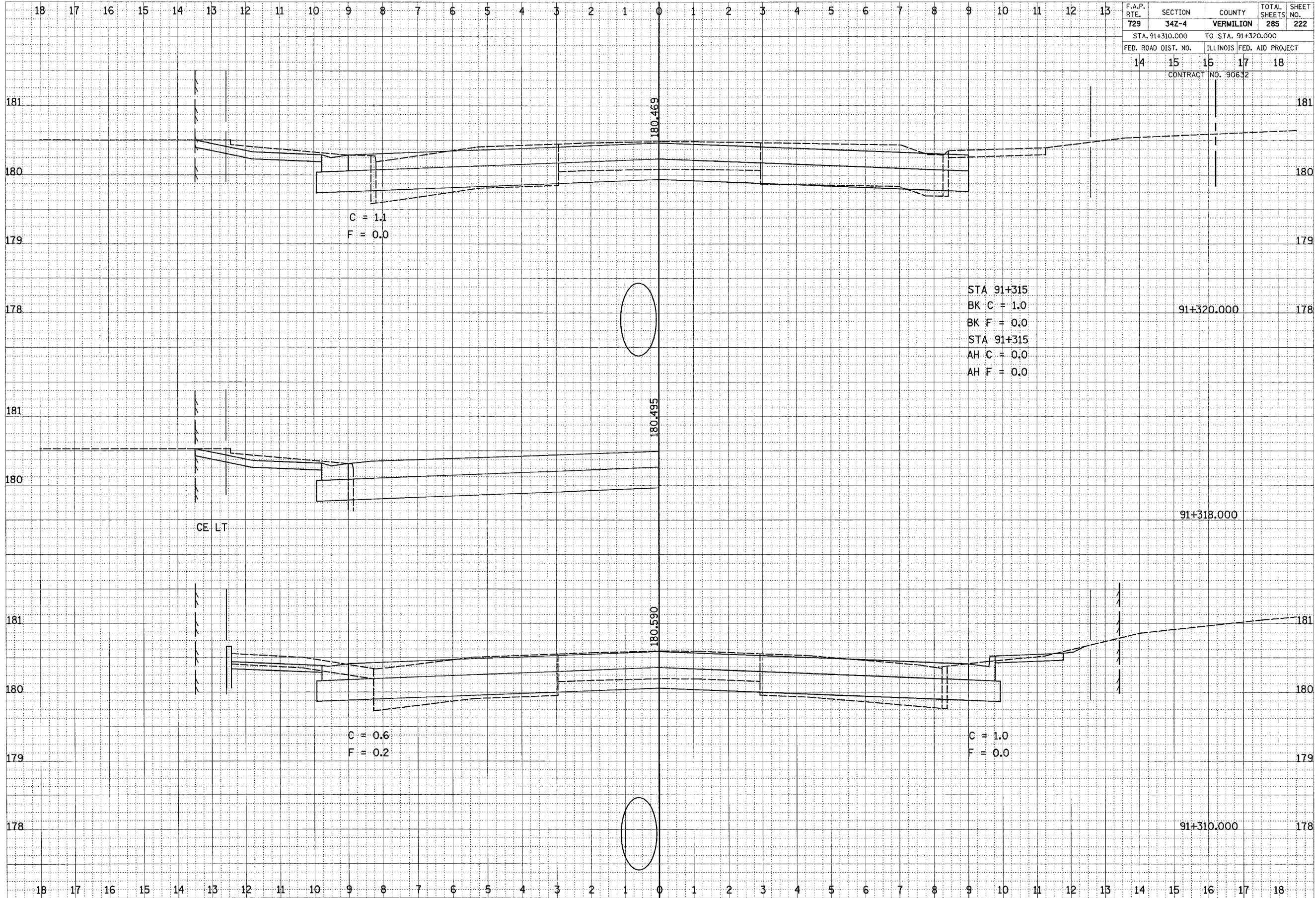




F.A.P. RTE.	SECTION	COUNTY	TOTAL SHEETS	SHEET NO.
729	34Z-4	VERMILION	285	222
STA. 91+310.000 TO STA. 91+320.000				
FED. ROAD DIST. NO.		ILLINOIS FED. AID PROJECT		
14	15	16	17	18
CONTRACT NO. 90632				

FINAL SURVEY	SURVEYED	DATE
NOTE BOOK NO.	PLOTTED	BY
	TEMPERATURE	
	AREAS CHECKED	

ORIGINAL SURVEY	SURVEYED	DATE
NOTE BOOK NO.	PLOTTED	BY
	TEMPERATURE	
	AREAS CHECKED	



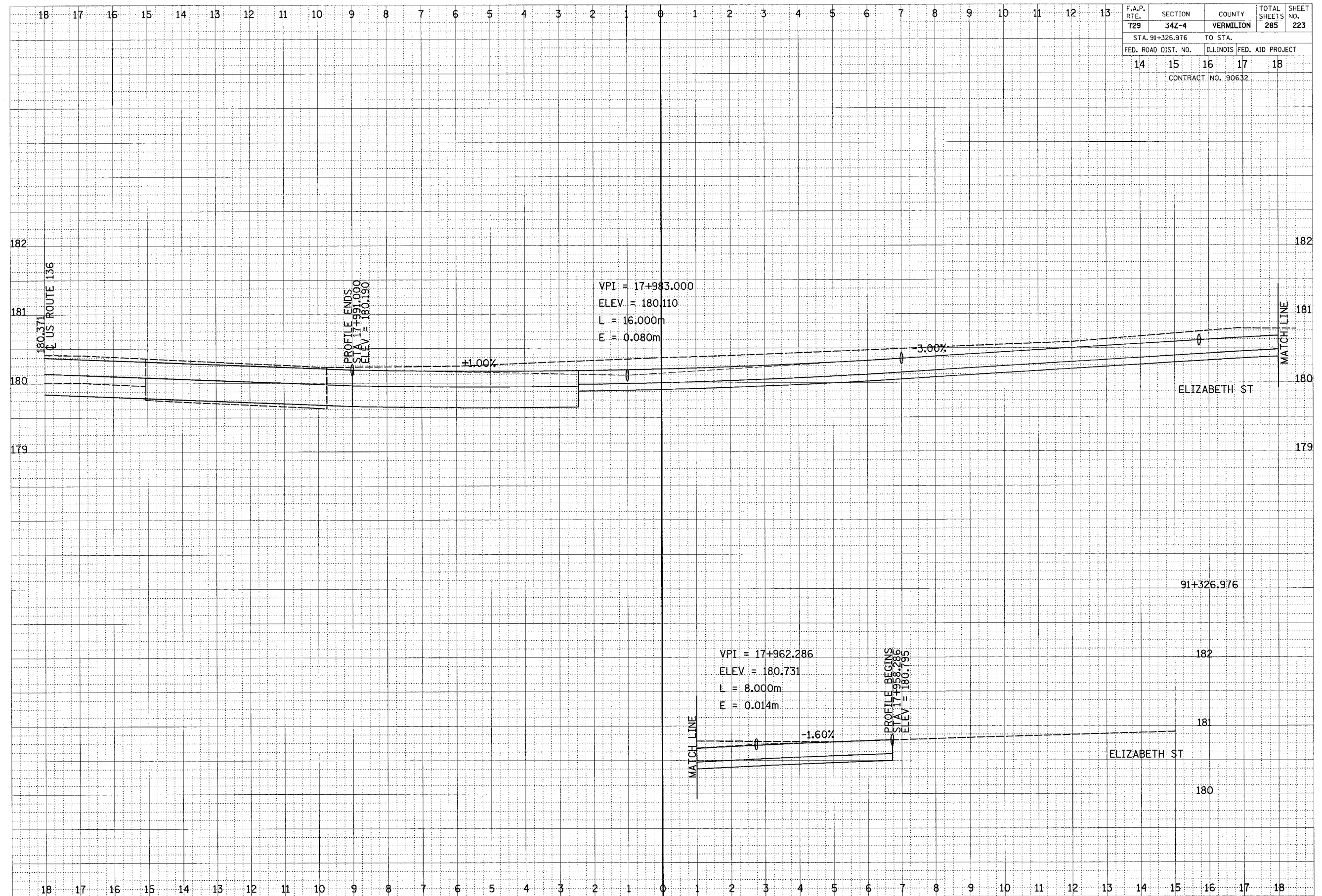
CROSS SECTIONS, FAP 729 (US 136)



F.A.P. RTE.	SECTION	COUNTY	TOTAL SHEETS	SHEET NO.
729	34Z-4	VERMILION	285	223
STA. 91+326.976		TO STA.		
FED. ROAD DIST. NO.		ILLINOIS FED. AID PROJECT		
14		15 16 17 18		
CONTRACT NO. 90632				

FINAL SURVEY	SURVEYED	DATE
NOTE BOOK	PLOTTED	BY
NO.	DATE	
	AREAS CHECKED	

ORIGINAL SURVEY	SURVEYED	DATE
NOTE BOOK	PLOTTED	BY
NO.	DATE	
	AREAS CHECKED	

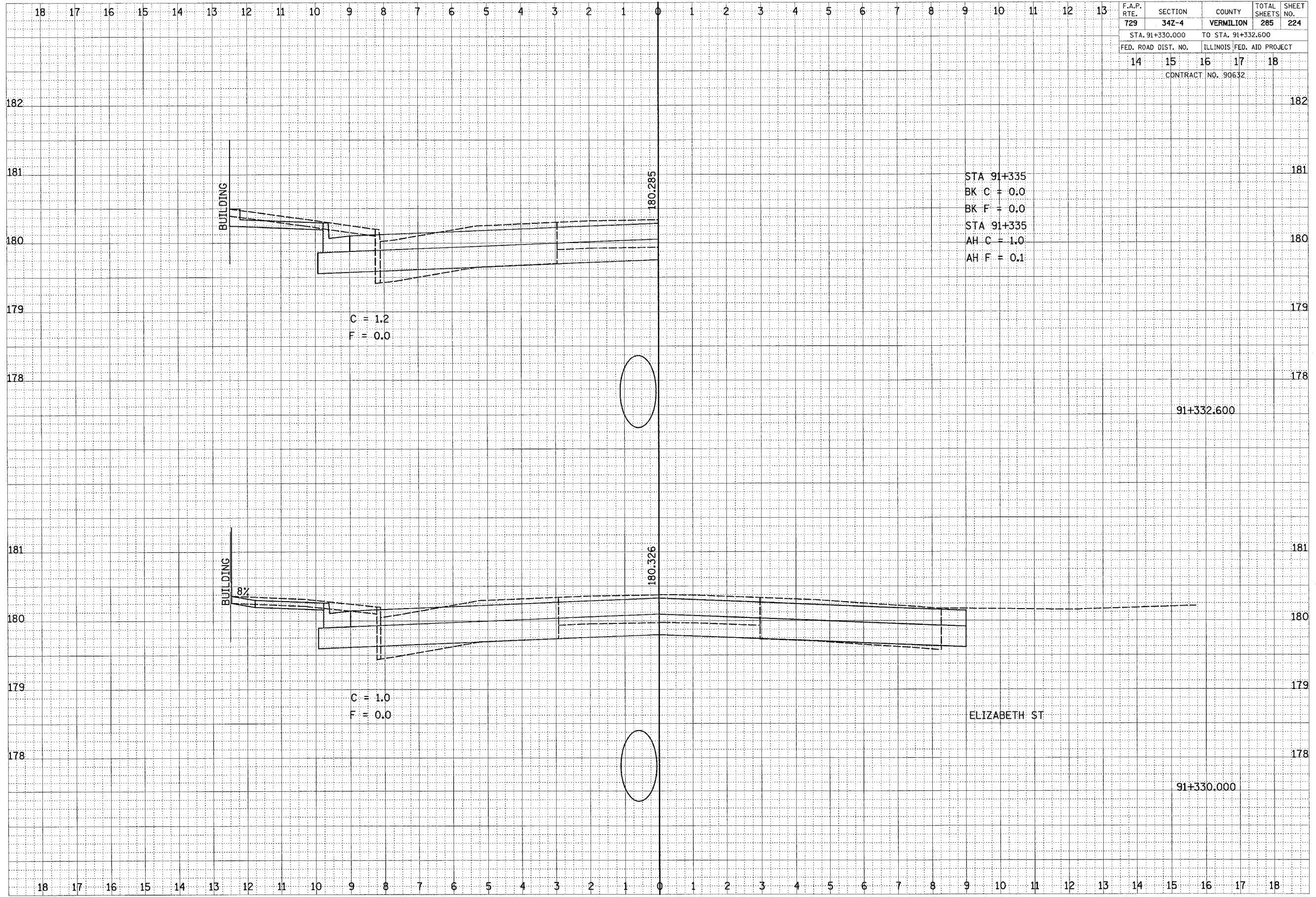


CROSS SECTIONS, FAP 729 (US 136)

F.A.P. RTE.	SECTION	COUNTY	TOTAL SHEETS	SHEET NO.
729	34Z-4	VERMILION	285	224
STA. 91+330.000		TO STA. 91+332.600		
FED. ROAD DIST. NO.	ILLINOIS FED. AID PROJECT			
14	15	16	17	18
CONTRACT NO. 90632				

FINAL SURVEY	DATE
CHECKED	BY
PLOTTED	
TEMPLATE	
NOTE BOOK	
NO.	
AREAS CHECKED	

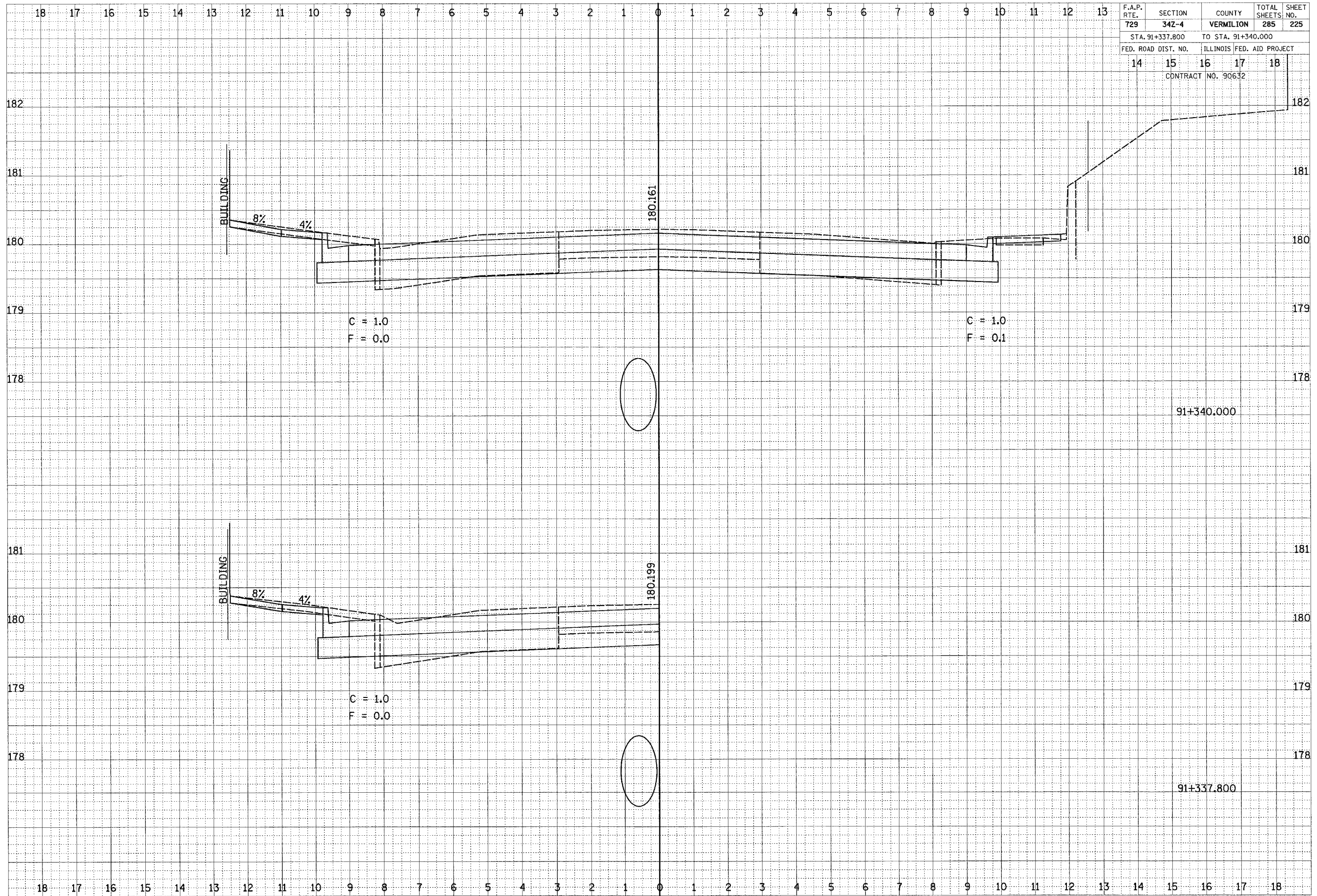
ORIGINAL SURVEY	DATE
CHECKED	BY
PLOTTED	
TEMPLATE	
NOTE BOOK	
NO.	
AREAS CHECKED	



STA 91+335  
 BK C = 0.0  
 BK F = 0.0  
 STA 91+335  
 AH C = 1.0  
 AH F = 0.1

ELIZABETH ST

F.A.P. RTE.	SECTION	COUNTY	TOTAL SHEETS	SHEET NO.
729	342-4	VERMILION	285	225
STA. 91+337.800		TO STA. 91+340.000		
FED. ROAD DIST. NO.		ILLINOIS FED. AID PROJECT		
14		15 16 17 18		
CONTRACT NO. 90632				



FINAL SURVEY	REVISIONS	DATE
NOTE BOOK NO.	PLOTTED	BY
	TEMPLATE	
	AREAS CHECKED	

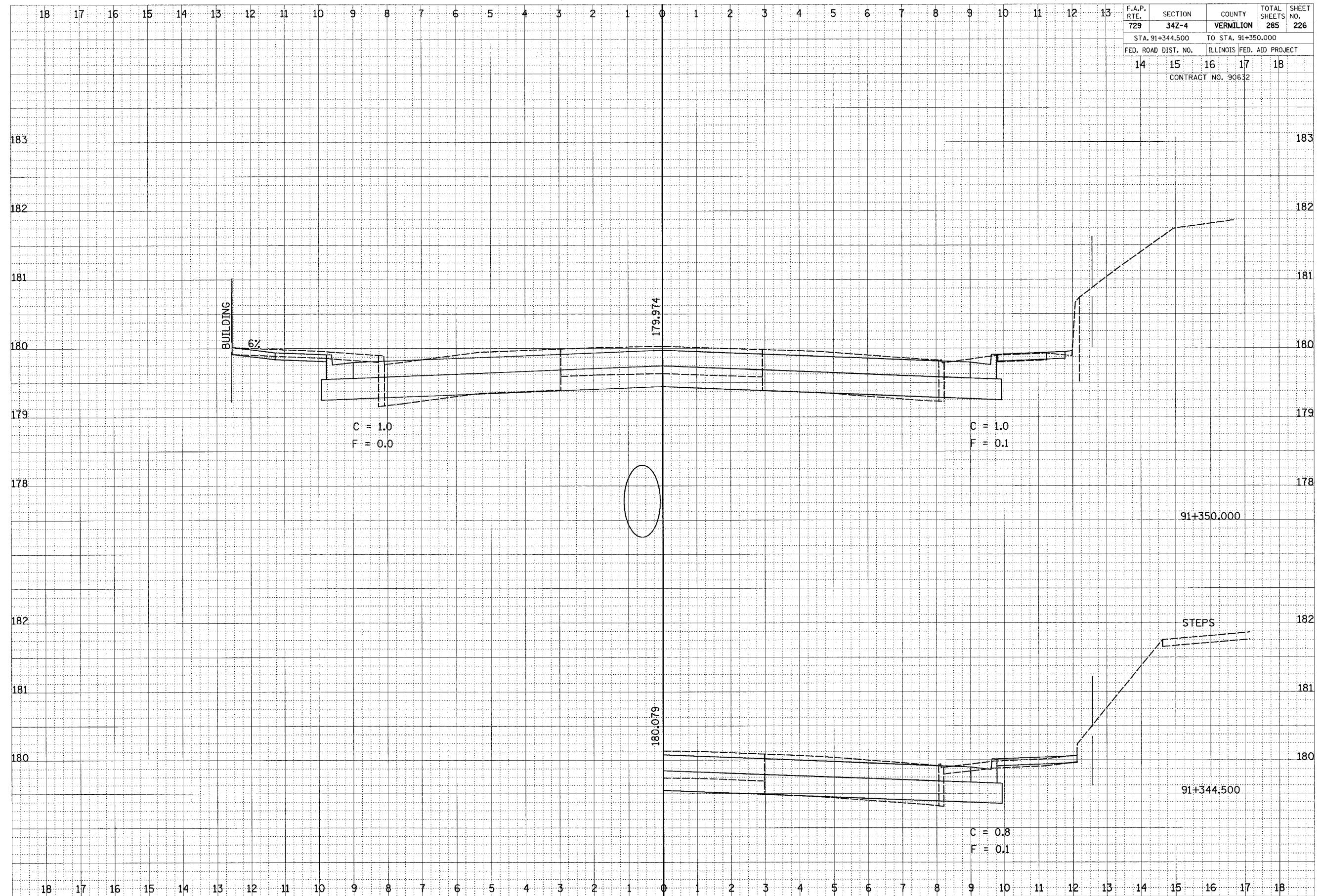
ORIGINAL SURVEY	REVISIONS	DATE
NOTE BOOK NO.	PLOTTED	BY
	TEMPLATE	
	AREAS CHECKED	



F.A.P. RTE.	SECTION	COUNTY	TOTAL SHEETS	SHEET NO.
729	34Z-4	VERMILION	285	226
STA. 91+344.500		TO STA. 91+350.000		
FED. ROAD DIST. NO.		ILLINOIS FED. AID PROJECT		
14	15	16	17	18
CONTRACT NO. 90632				

FINAL SURVEY NOTE BOOK NO.	SURVEYED PLOTTED TEMPLATE AREAS CHECKED	DATE
BY		

ORIGINAL SURVEY NOTE BOOK NO.	SURVEYED PLOTTED TEMPLATE AREAS CHECKED	DATE
BY		

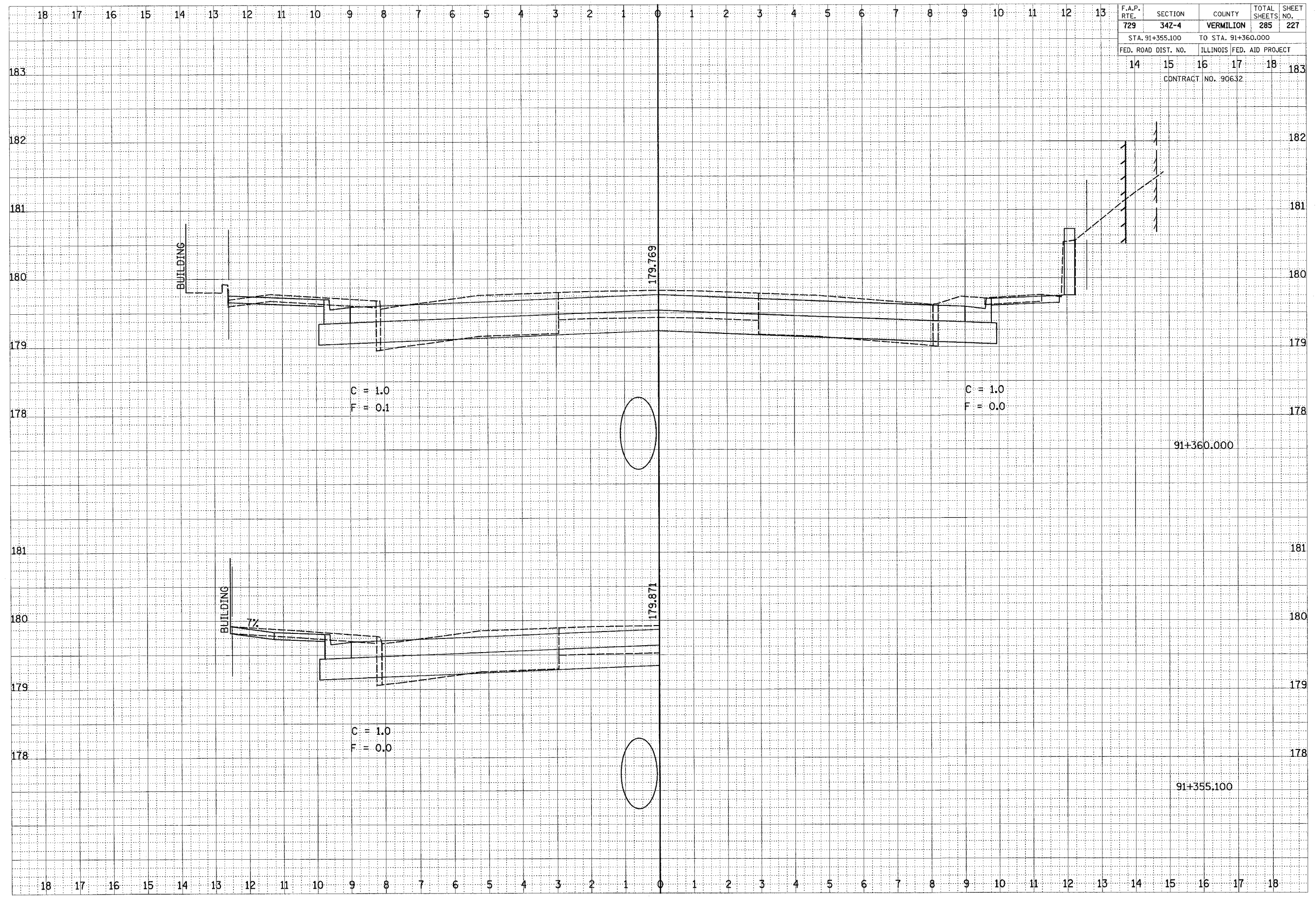


CROSS SECTIONS, FAP 729 (US 136)

F.A.P. RTE.	SECTION	COUNTY	TOTAL SHEETS	SHEET NO.
729	34Z-4	VERMILION	285	227
STA. 91+355.100		TO STA. 91+360.000		
FED. ROAD DIST. NO.		ILLINOIS FED. AID PROJECT		
14	15	16	17	18 183
CONTRACT NO. 90632				

FINAL SURVEY	SURVEYED	DATE
NOTE BOOK NO.	PLOTTED	
	REPLATE	
	AREAS CHECKED	

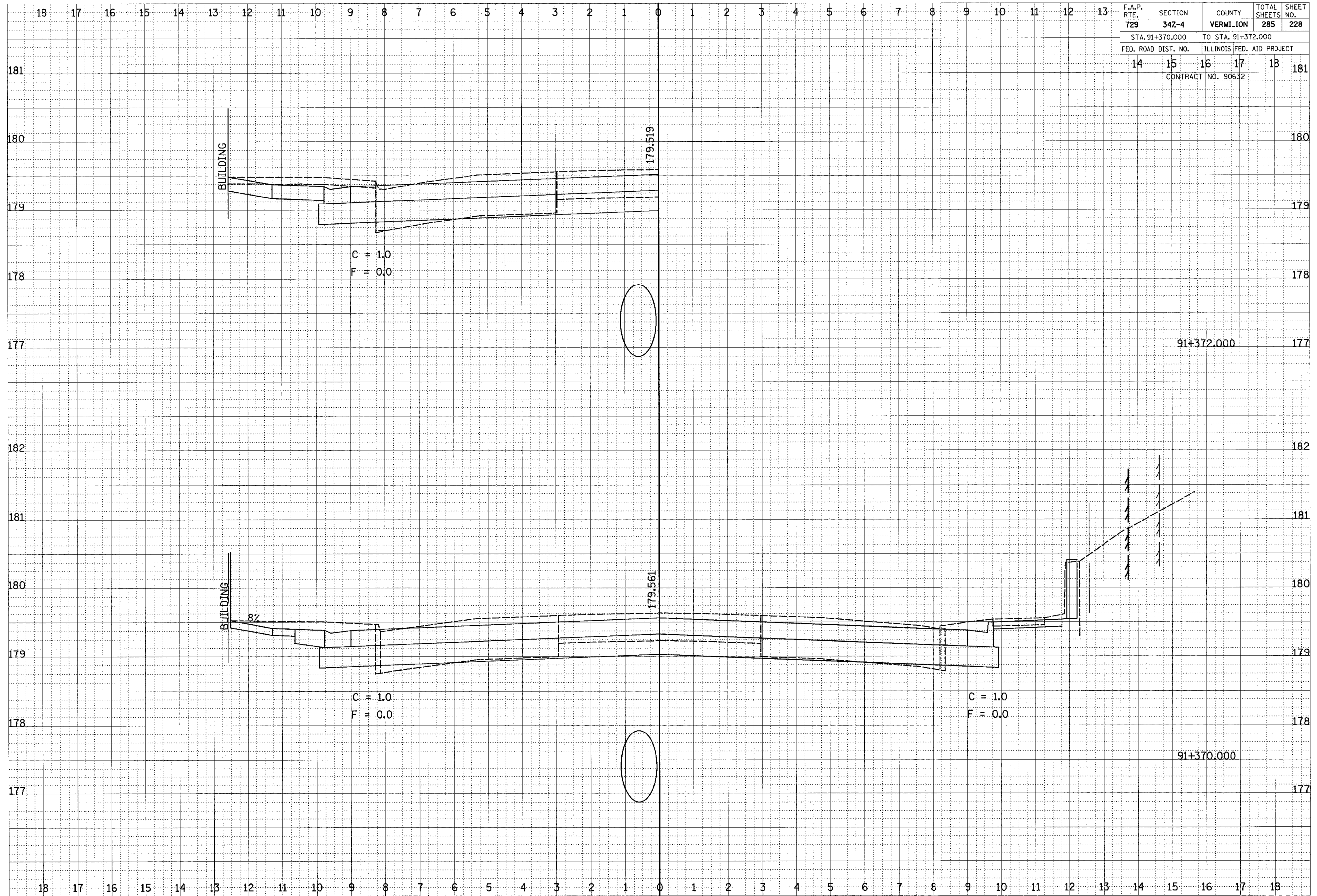
ORIGINAL SURVEY	SURVEYED	DATE
NOTE BOOK NO.	PLOTTED	
	REPLATE	
	AREAS CHECKED	



F.A.P. RTE.	SECTION	COUNTY	TOTAL SHEETS	SHEET NO.
729	34Z-4	VERMILION	285	228
STA. 91+370.000		TO STA. 91+372.000		
FED. ROAD DIST. NO.		ILLINOIS FED. AID PROJECT		
14	15	16	17	18
CONTRACT NO. 90632				

FINAL SURVEY	DATE
BY	
PROJECTS	
PLOTTED	
TEMPLATE	
NOTE BOOK	
NO.	
AREAS CHECKED	

ORIGINAL SURVEY	DATE
BY	
PROJECTS	
PLOTTED	
TEMPLATE	
NOTE BOOK	
NO.	
AREAS CHECKED	



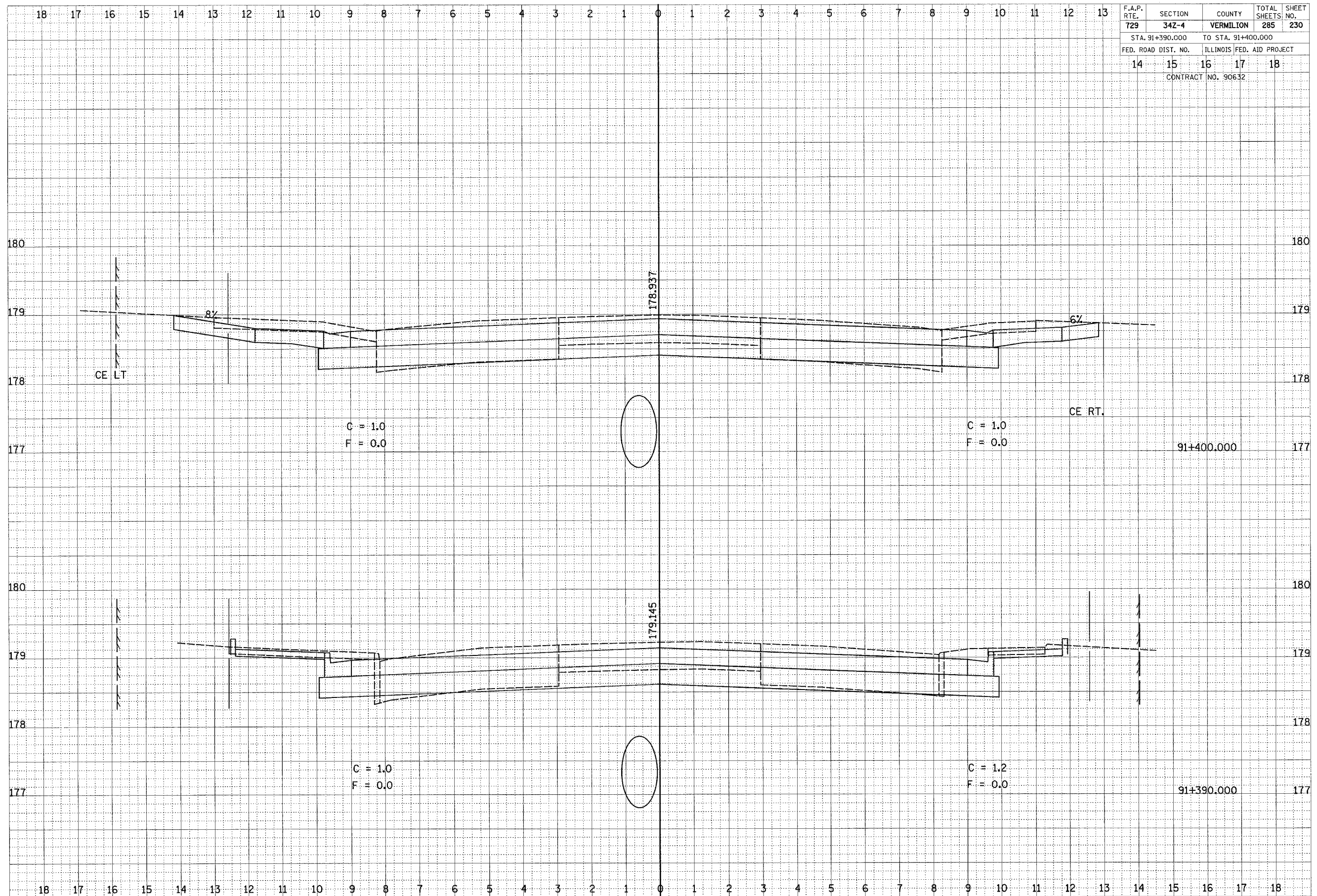




F.A.P. RTE.	SECTION	COUNTY	TOTAL SHEETS	SHEET NO.
729	342-4	VERMILION	285	230
STA. 91+390.000		TO STA. 91+400.000		
FED. ROAD DIST. NO.		ILLINOIS FED. AID PROJECT		
14		15		16 17 18
CONTRACT NO. 90632				

DATE	BY
FINAL SURVEY NOTE BOOK NO.	CHECKED BY

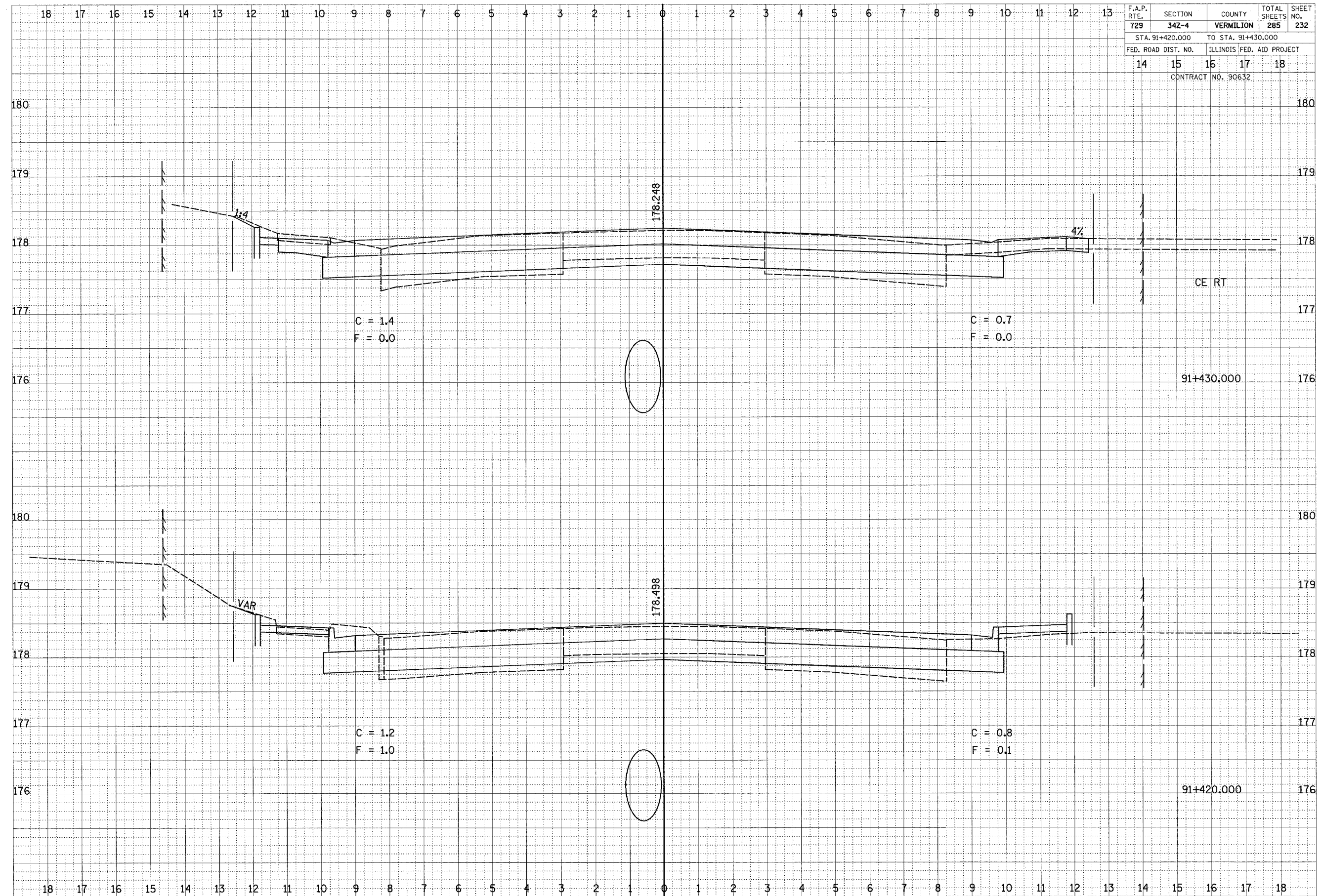
DATE	BY
ORIGINAL SURVEY NOTE BOOK NO.	CHECKED BY







F.A.P. RTE.	SECTION	COUNTY	TOTAL SHEETS	SHEET NO.
729	34Z-4	VERMILION	285	232
STA. 91+420.000		TO STA. 91+430.000		
FED. ROAD DIST. NO.		ILLINOIS FED. AID PROJECT		
14	15	16	17	18
CONTRACT NO. 90632				



FINAL SURVEY	BY	DATE
NOTE BOOK NO.		
REVISIONS		
PLOTTED		
TEMPLATE		
AREAS CHECKED		

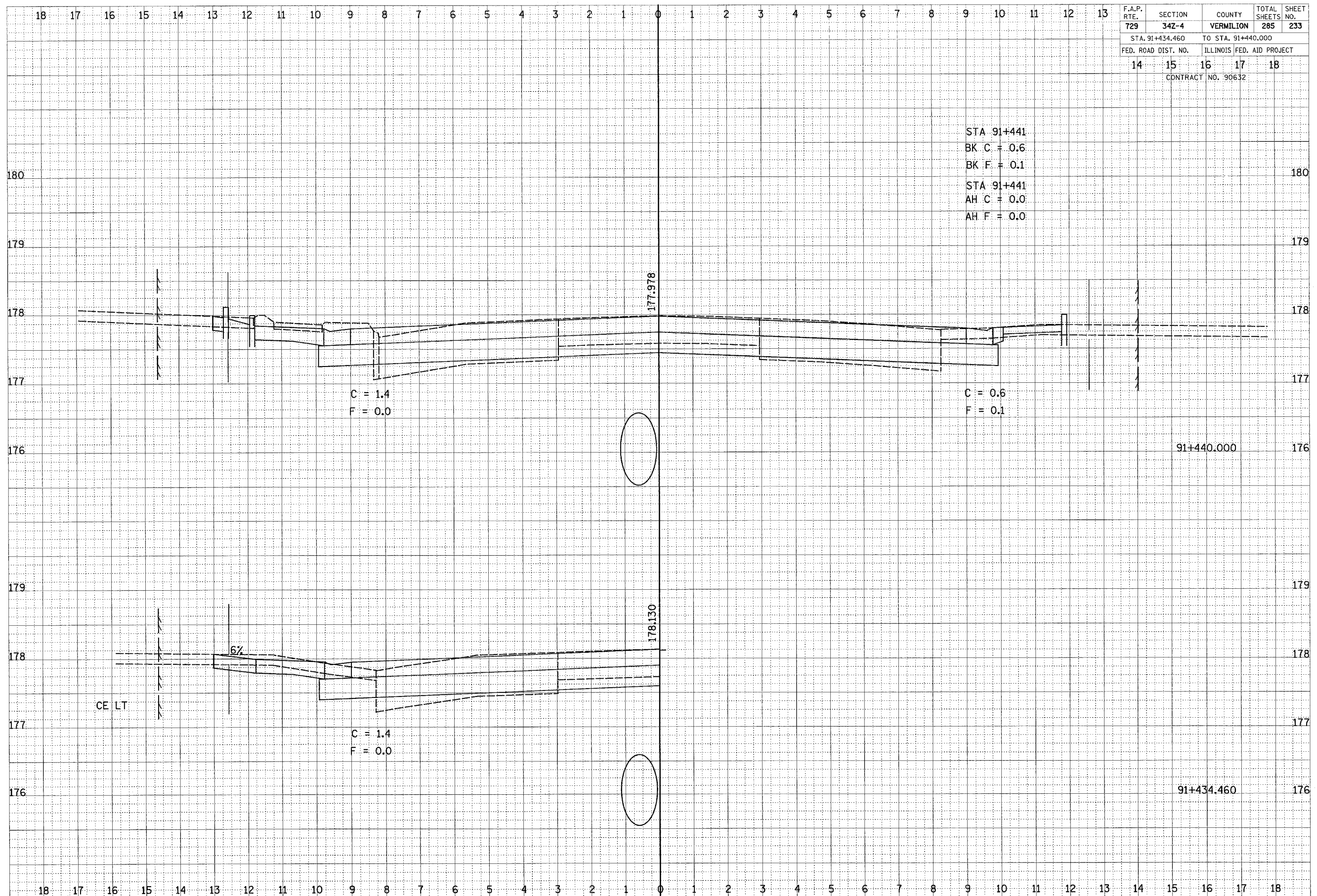
ORIGINAL SURVEY	BY	DATE
NOTE BOOK NO.		
REVISIONS		
PLOTTED		
TEMPLATE		
AREAS CHECKED		

F.A.P. RTE.	SECTION	COUNTY	TOTAL SHEETS	SHEET NO.
729	34Z-4	VERMILION	285	233
STA. 91+434.460		TO STA. 91+440.000		
FED. ROAD DIST. NO.		ILLINOIS FED. AID PROJECT		
14	15	16	17	18
CONTRACT NO. 90632				

STA 91+441  
BK C = 0.6  
BK F = 0.1  
STA 91+441  
AH C = 0.0  
AH F = 0.0

FINAL SURVEY	DATE
REVISIONS	BY
NOTED	
NO.	

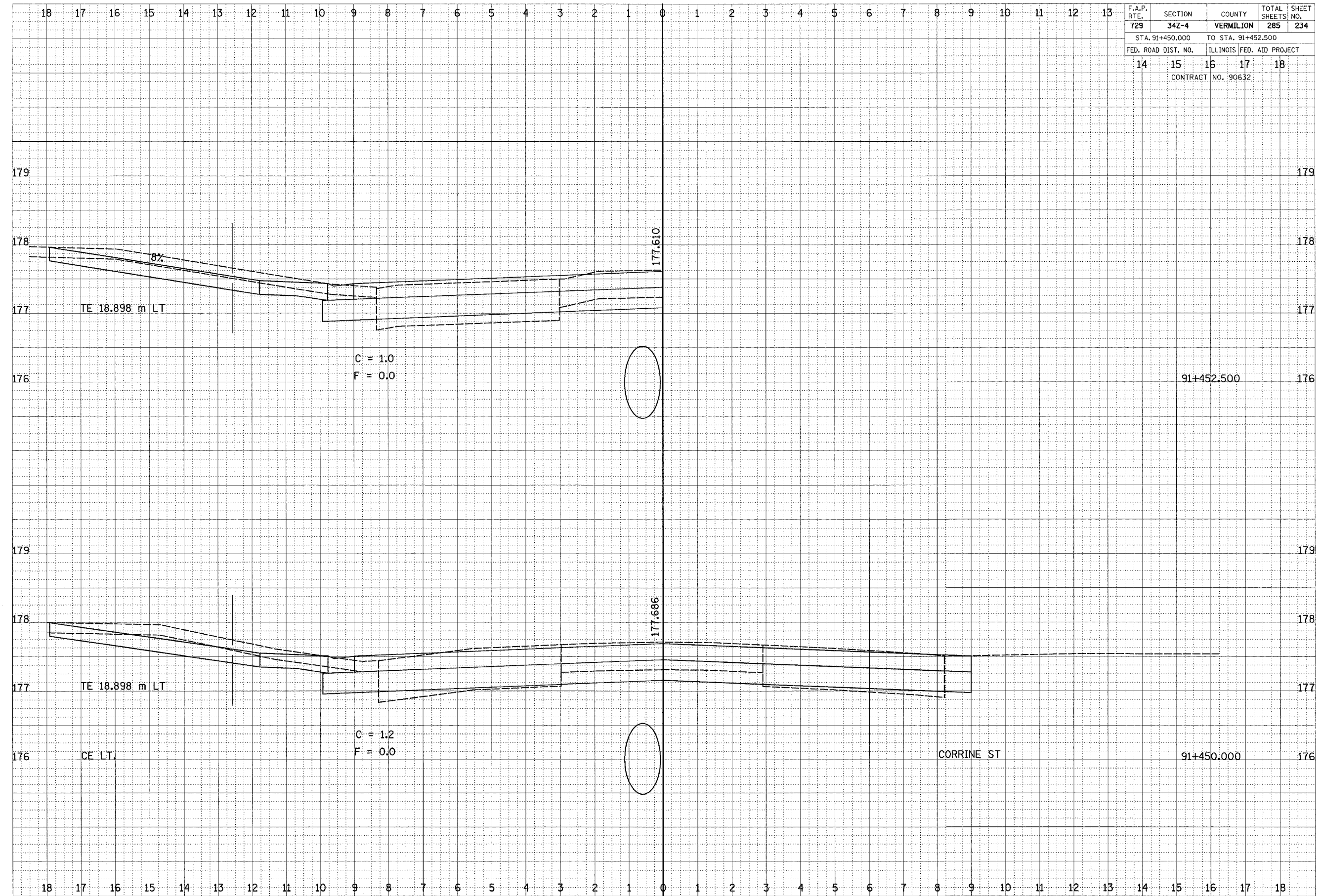
ORIGINAL SURVEY	DATE
REVISIONS	BY
NOTED	
NO.	



F.A.P. RTE.	SECTION	COUNTY	TOTAL SHEETS	SHEET NO.
729	34Z-4	VERMILION	285	234
STA. 91+450.000		TO STA. 91+452.500		
FED. ROAD DIST. NO.		ILLINOIS FED. AID PROJECT		
14	15	16	17	18
CONTRACT NO. 90632				

FINAL SURVEY	DATE
NO. _____	BY _____
NOTE BOOK NO. _____	PLOTTED _____
AREAS CHECKED _____	TEMPERATURE _____

ORIGINAL SURVEY	DATE
NO. _____	BY _____
NOTE BOOK NO. _____	PLOTTED _____
AREAS CHECKED _____	TEMPERATURE _____

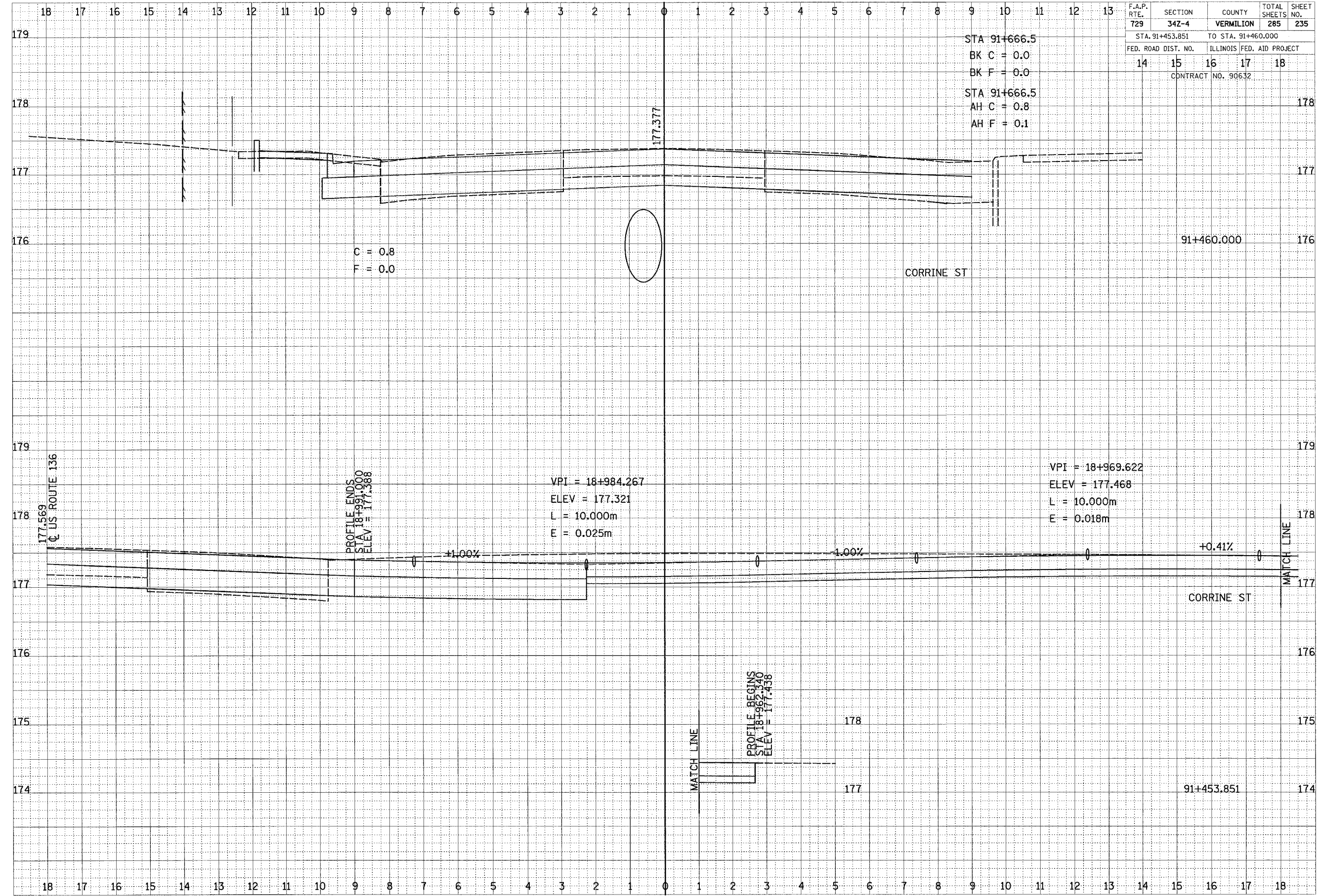




F.A.P. RTE.	SECTION	COUNTY	TOTAL SHEETS	SHEET NO.
729	34Z-4	VERMILION	285	235
STA. 91+453.851		TO STA. 91+460.000		
FED. ROAD DIST. NO.	ILLINOIS	FED. AID PROJECT		
14	15	16	17	18
CONTRACT NO. 90632				

STA 91+666.5  
BK C = 0.0  
BK F = 0.0  
STA 91+666.5  
AH C = 0.8  
AH F = 0.1

DATE \_\_\_\_\_ BY \_\_\_\_\_  
DESIGNED \_\_\_\_\_  
PLOTTED \_\_\_\_\_  
NOTE BOOK \_\_\_\_\_  
TEMPLATE \_\_\_\_\_  
AREAS CHECKED \_\_\_\_\_  
NO. \_\_\_\_\_



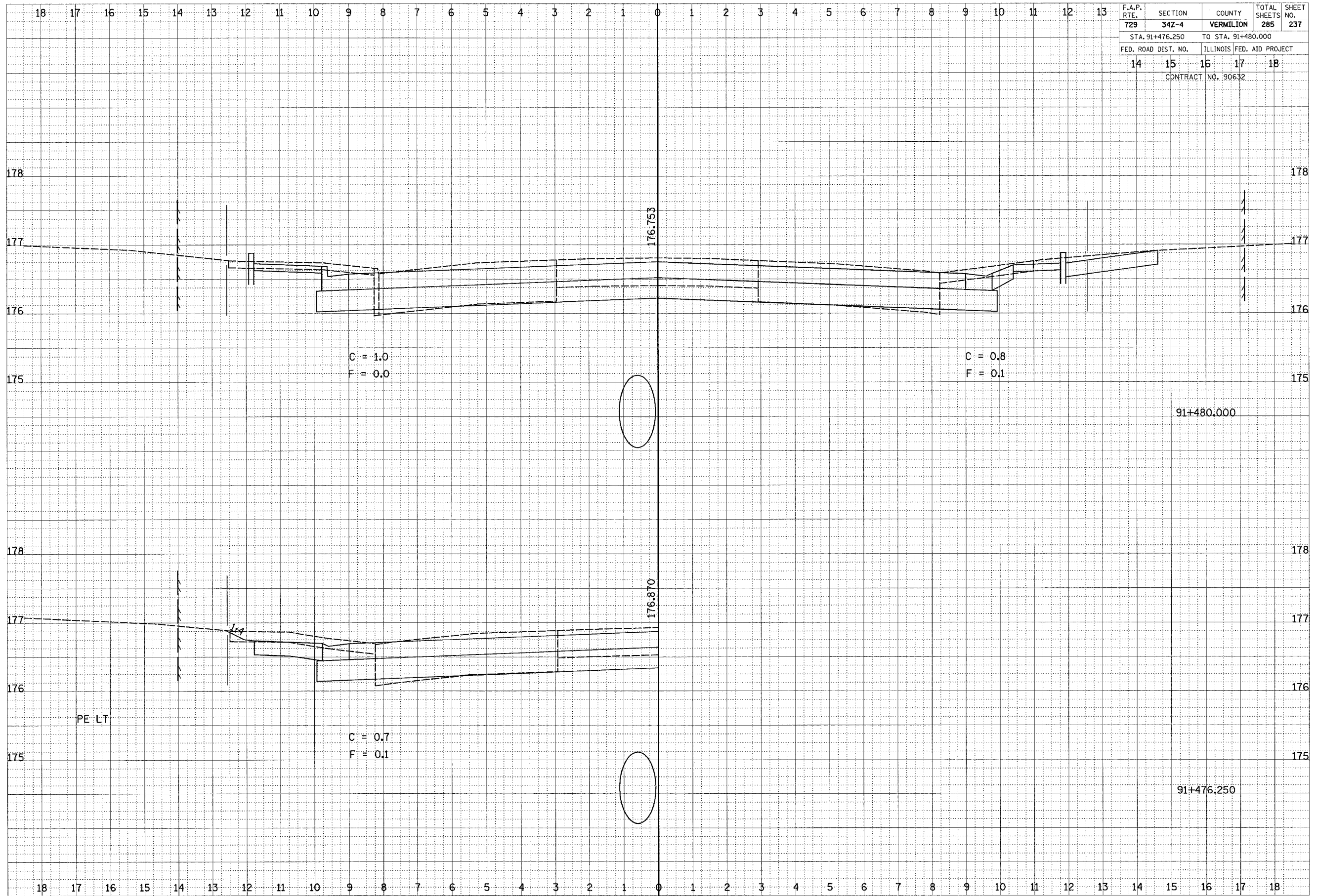
DATE \_\_\_\_\_ BY \_\_\_\_\_  
DESIGNED \_\_\_\_\_  
PLOTTED \_\_\_\_\_  
NOTE BOOK \_\_\_\_\_  
TEMPLATE \_\_\_\_\_  
AREAS CHECKED \_\_\_\_\_  
NO. \_\_\_\_\_



F.A.P. RTE.	SECTION	COUNTY	TOTAL SHEETS	SHEET NO.
729	34Z-4	VERMILION	285	237
STA. 91+476.250		TO STA. 91+480.000		
FED. ROAD DIST. NO.		ILLINOIS FED. AID PROJECT		
14 15 16 17 18		CONTRACT NO. 90632		

FINAL SURVEY	BY	DATE
NO. _____	_____	_____
REVISIONS		
NO. _____	_____	_____
DATE		
_____		
BY		
_____		
DATE		
_____		

ORIGINAL SURVEY	BY	DATE
NO. _____	_____	_____
REVISIONS		
NO. _____	_____	_____
DATE		
_____		
BY		
_____		
DATE		
_____		



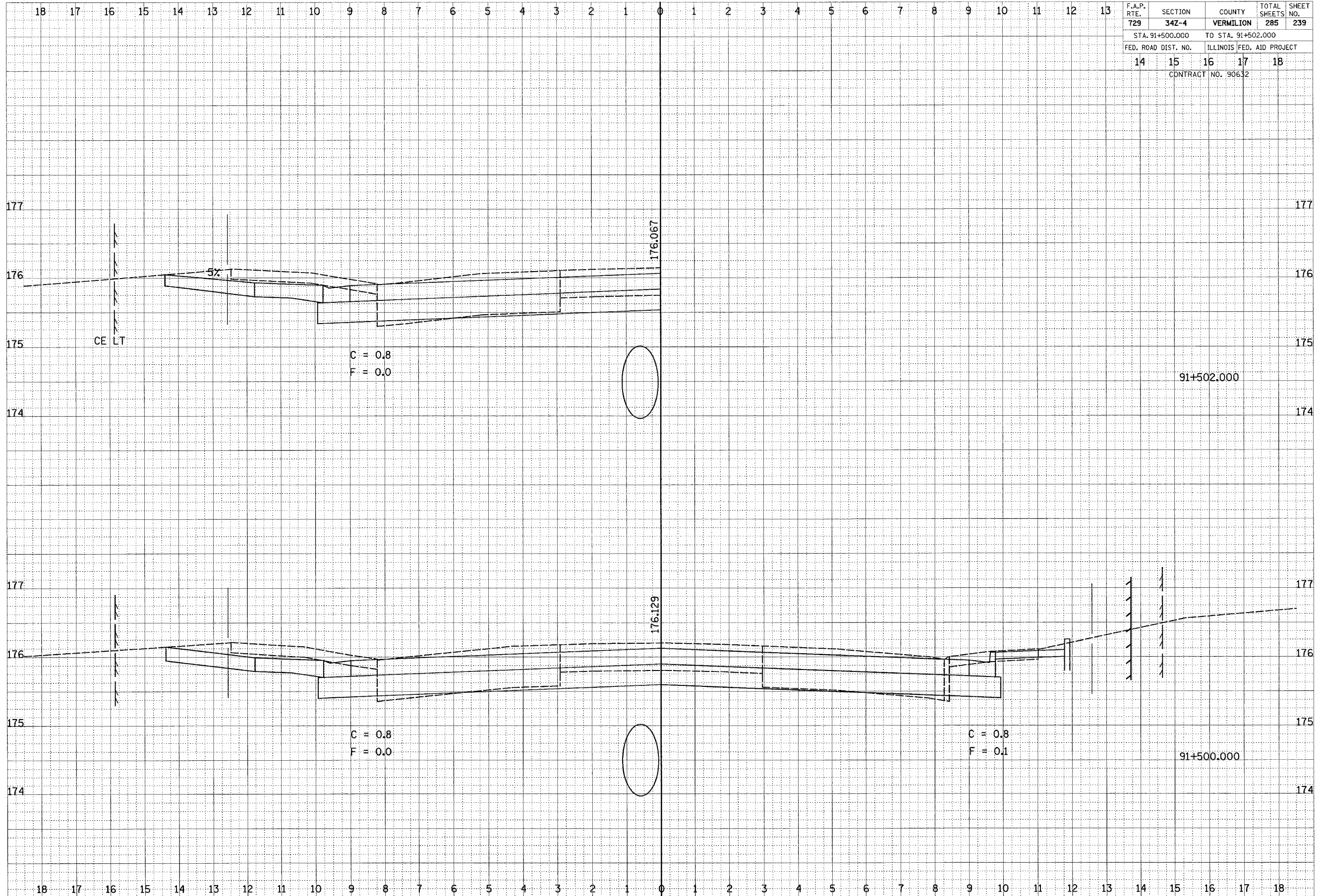




F.A.P. RTE.	SECTION	COUNTY	TOTAL SHEETS	SHEET NO.
729	34Z-4	VERMILION	285	239
STA. 91+500.000		TO STA. 91+502.000		
FED. ROAD DIST. NO.		ILLINOIS FED. AID PROJECT		
14	15	16	17	18
CONTRACT NO. 90632				

DATE	BY
FINAL SURVEY	SURVEYED
NOTE BOOK	PLOTTED
NO.	NO.
	AREAS CHECKED

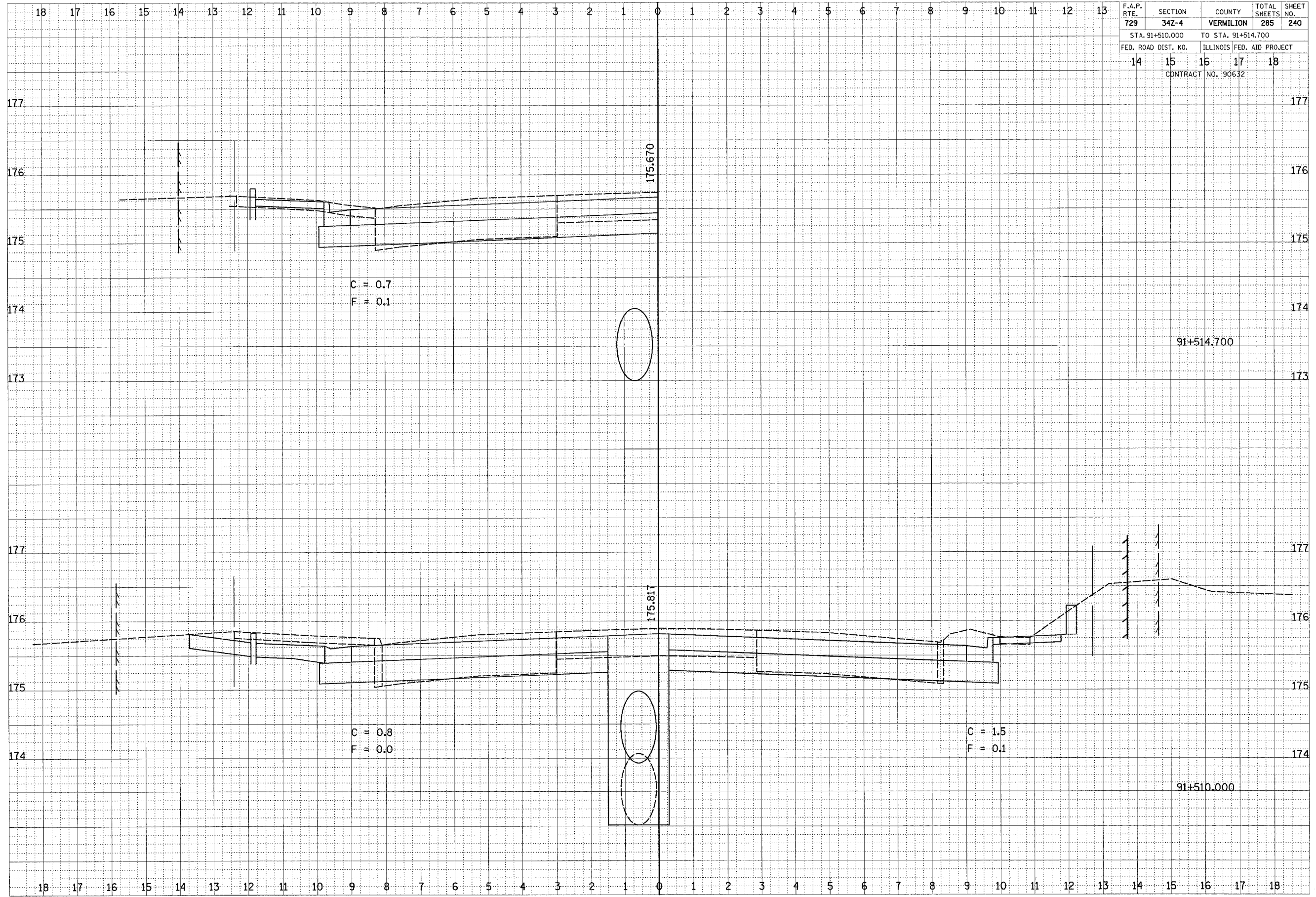
DATE	BY
ORIGINAL SURVEY	SURVEYED
NOTE BOOK	PLOTTED
NO.	NO.
	AREAS CHECKED



F.A.P. RTE.	SECTION	COUNTY	TOTAL SHEETS	SHEET NO.
729	34Z-4	VERMILION	285	240
STA. 91+510.000		TO STA. 91+514.700		
FED. ROAD DIST. NO.		ILLINOIS FED. AID PROJECT		
14	15	16	17	18
CONTRACT NO. 90632				

FINISH	DATE
SURVEY	BY
NOTE BOOK	NO.
AREAS CHECKED	

ORIGINAL	DATE
SURVEY	BY
NOTE BOOK	NO.
AREAS CHECKED	



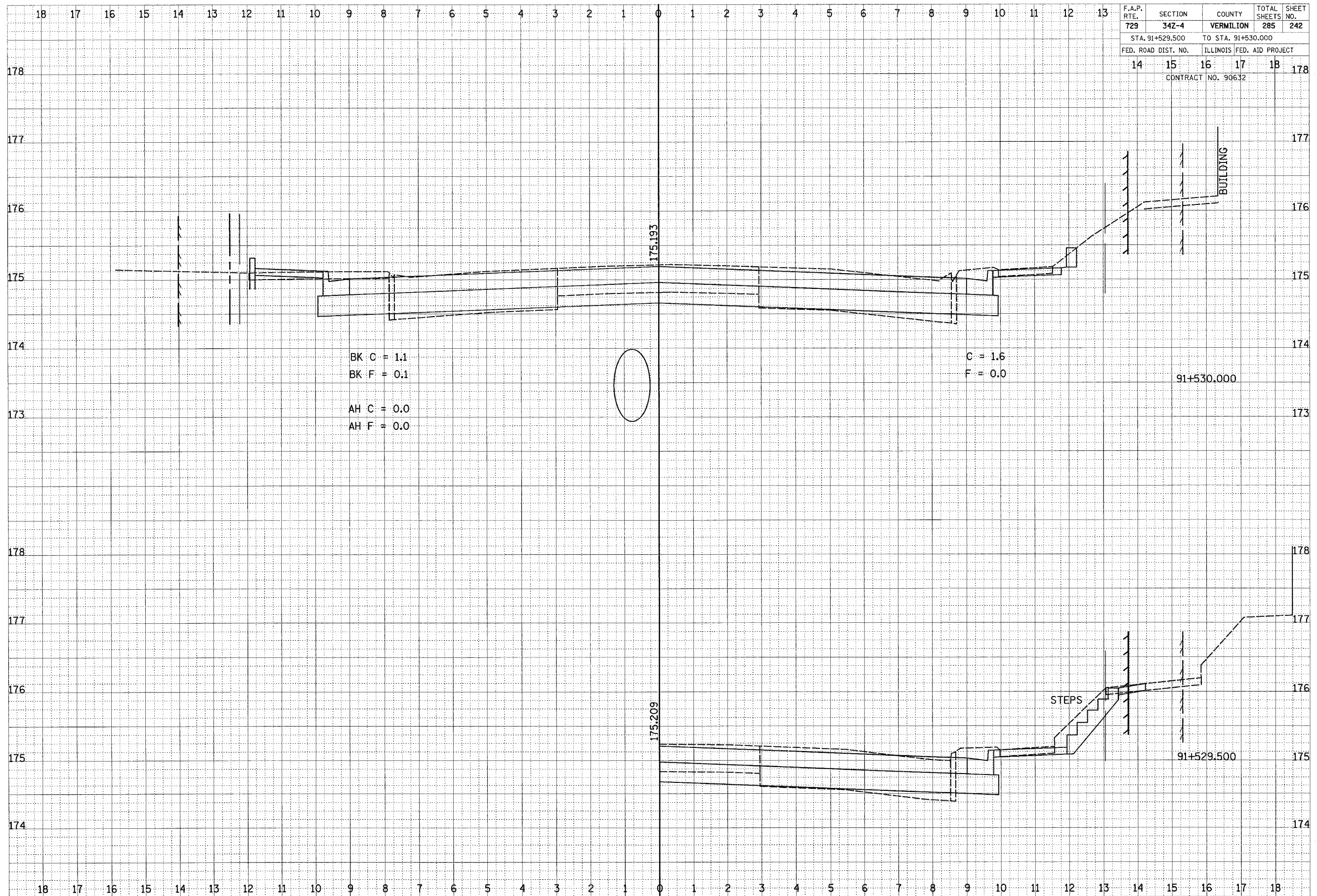




F.A.P. RTE.	SECTION	COUNTY	TOTAL SHEETS	SHEET NO.
729	34Z-4	VERMILION	285	242
STA. 91+529.500		TO STA. 91+530.000		
FED. ROAD DIST. NO.		ILLINOIS FED. AID PROJECT		
14	15	16	17	18
CONTRACT NO. 90632				

FINAL SURVEY	DATE
NOTE BOOK NO.	BY
REVISIONS	
PLOTTED	
TEMPLATE	
AREAS CHECKED	

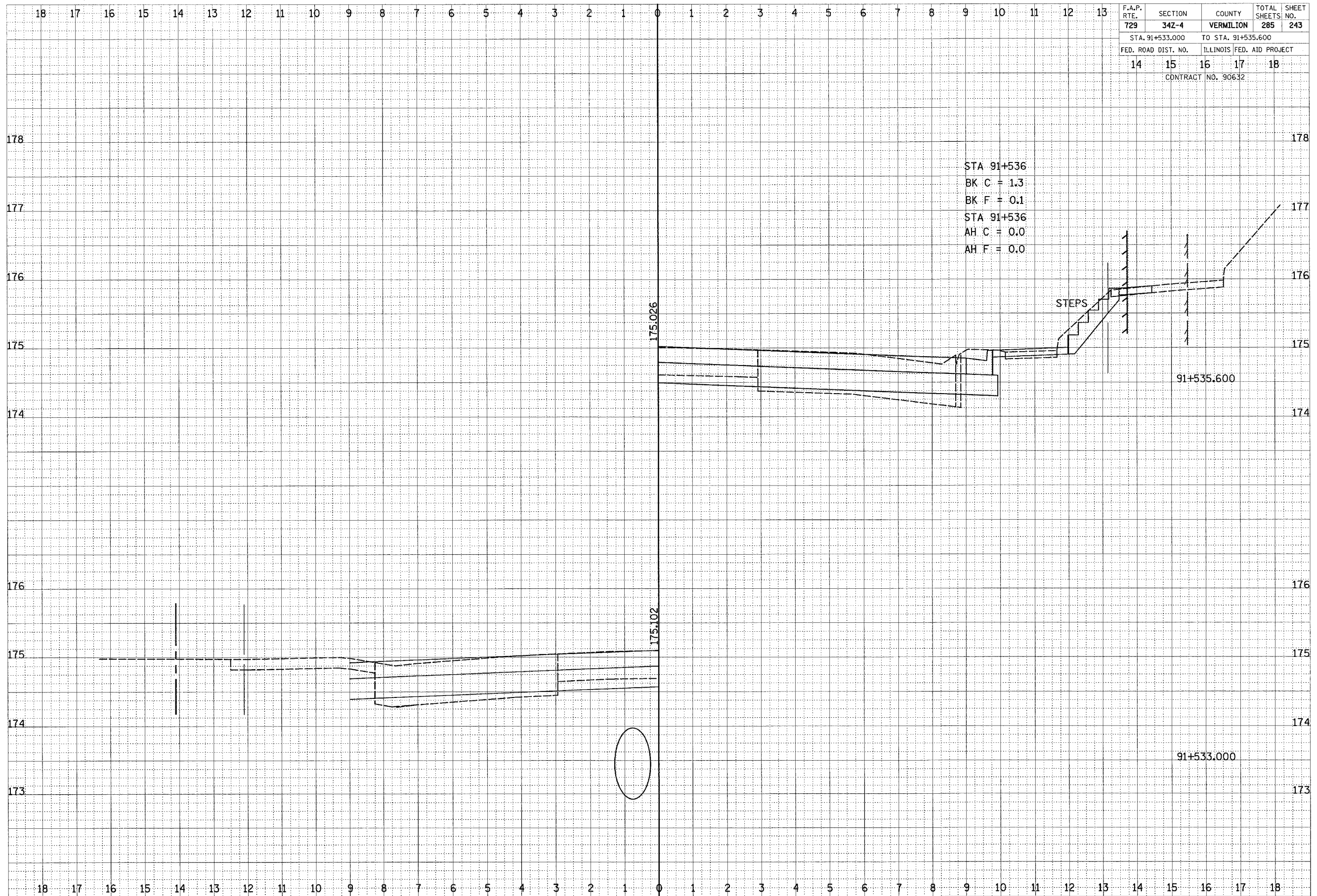
ORIGINAL SURVEY	DATE
NOTE BOOK NO.	BY
REVISIONS	
PLOTTED	
TEMPLATE	
AREAS CHECKED	



F.A.P. RTE.	SECTION	COUNTY	TOTAL SHEETS	SHEET NO.
729	34Z-4	VERMILION	285	243
STA. 91+533.000		TO STA. 91+535.600		
FED. ROAD DIST. NO.		ILLINOIS FED. AID PROJECT		
14	15	16	17	18
CONTRACT NO. 90632				

FINAL SURVEY	DATE
BY	
REVISIONS	
PLOTTED	
TEMPLATE	
NOTE BOOK	
NO.	
AREAS CHECKED	

ORIGINAL SURVEY	DATE
BY	
REVISIONS	
PLOTTED	
TEMPLATE	
NOTE BOOK	
NO.	
AREAS CHECKED	

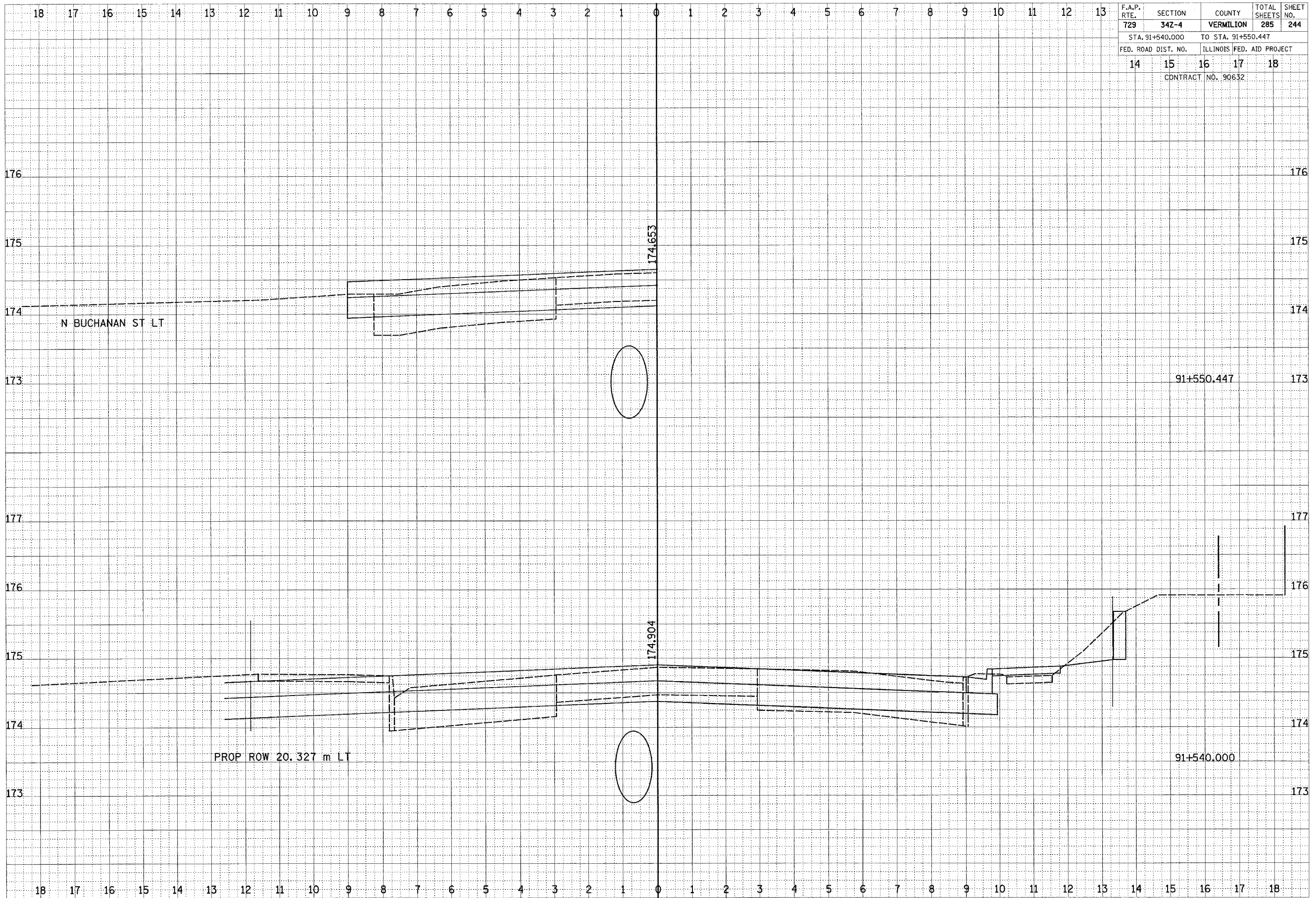




F.A.P. RTE.	SECTION	COUNTY	TOTAL SHEETS	SHEET NO.
729	34Z-4	VERMILION	285	244
STA. 91+540.000		TO STA. 91+550.447		
FED. ROAD DIST. NO.		ILLINOIS FED. AID PROJECT		
14	15	16	17	18
CONTRACT NO. 90632				

FINAL SURVEY	DATE
BY	
REVISIONS	
PLOTTED	
TEMPLATE	
AREAS CHECKED	
NO.	

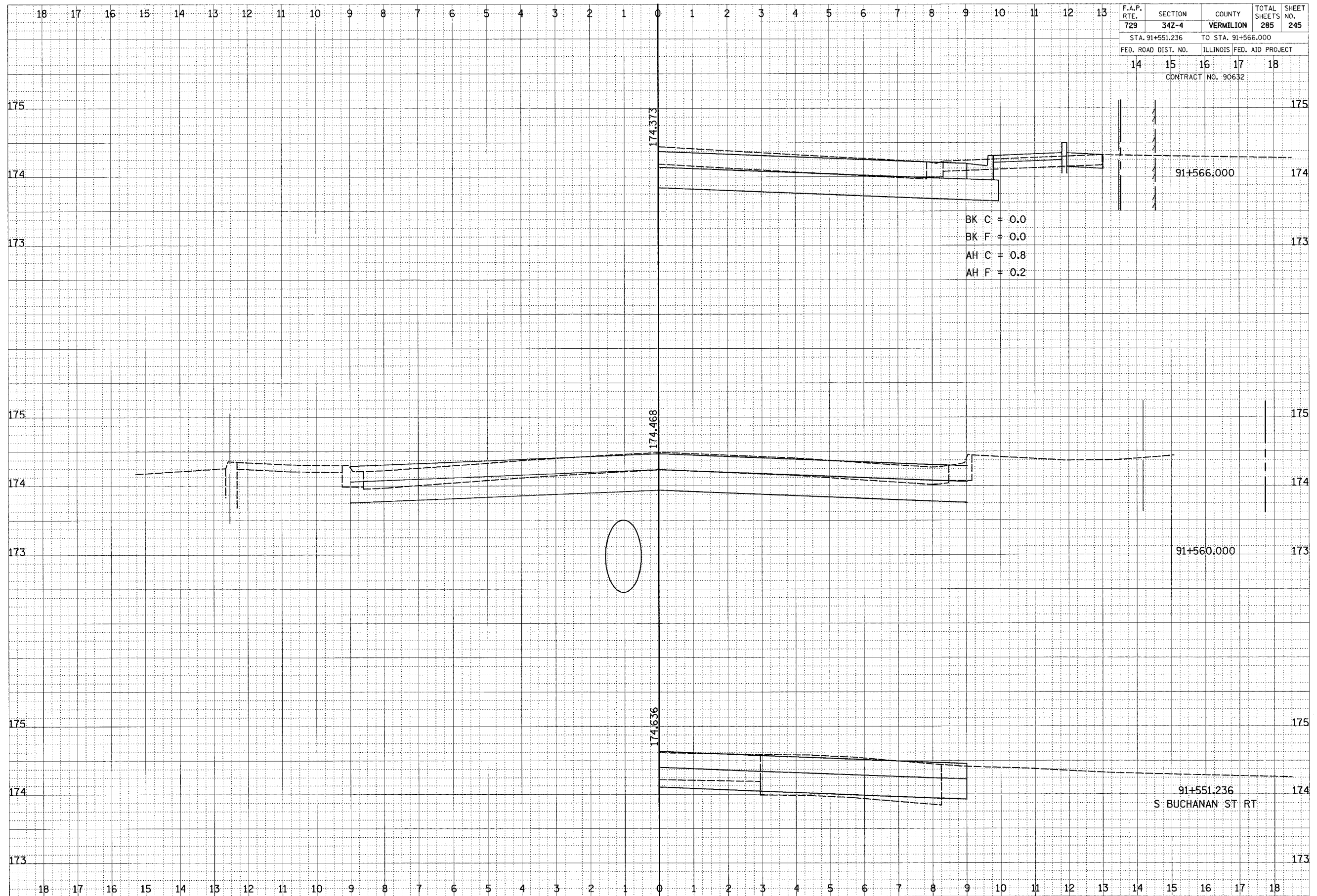
ORIGINAL SURVEY	DATE
BY	
REVISIONS	
PLOTTED	
TEMPLATE	
AREAS CHECKED	
NO.	



F.A.P. RTE.	SECTION	COUNTY	TOTAL SHEETS	SHEET NO.
729	342-4	VERMILION	285	245
STA. 91+551.236		TO STA. 91+566.000		
FED. ROAD DIST. NO.		ILLINOIS FED. AID PROJECT		
14	15	16	17	18
CONTRACT NO. 90632				

FINAL SURVEY	BY	DATE
REVISIONS		
NOTED		
TEMPLATE		
AREAS CHECKED		
NO.		

ORIGINAL SURVEY	BY	DATE
REVISIONS		
NOTED		
TEMPLATE		
AREAS CHECKED		
NO.		



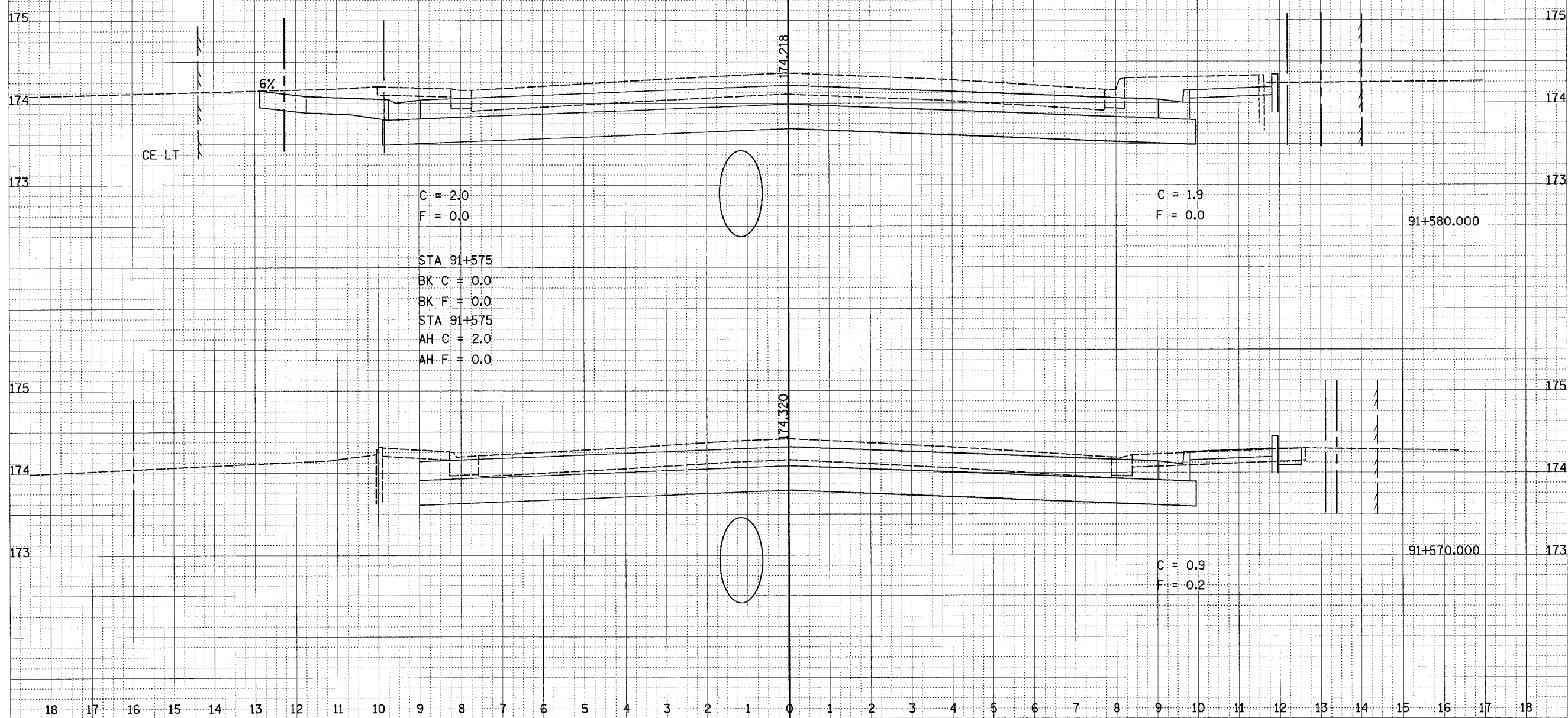
CROSS SECTIONS, FAP 729 (US 136)

18 17 16 15 14 13 12 11 10 9 8 7 6 5 4 3 2 1 0 1 2 3 4 5 6 7 8 9 10 11 12 13

F.A.P. RTE.	SECTION	COUNTY	TOTAL SHEETS	SHEET NO.
729	34Z-4	VERMILION	285	246
STA. 91+570.000		TO STA. 91+580.000		
FED. ROAD DIST. NO.		ILLINOIS FED. AID PROJECT		
14	15	16	17	18
CONTRACT NO. 90632				

FINAL SURVEY NOTE BOOK NO.	DATE
BY	
DESIGNED	
PLOTTED	
TEMPLATE	
AREAS CHECKED	

ORIGINAL SURVEY NOTE BOOK NO.	DATE
BY	
DESIGNED	
PLOTTED	
TEMPLATE	
AREAS CHECKED	

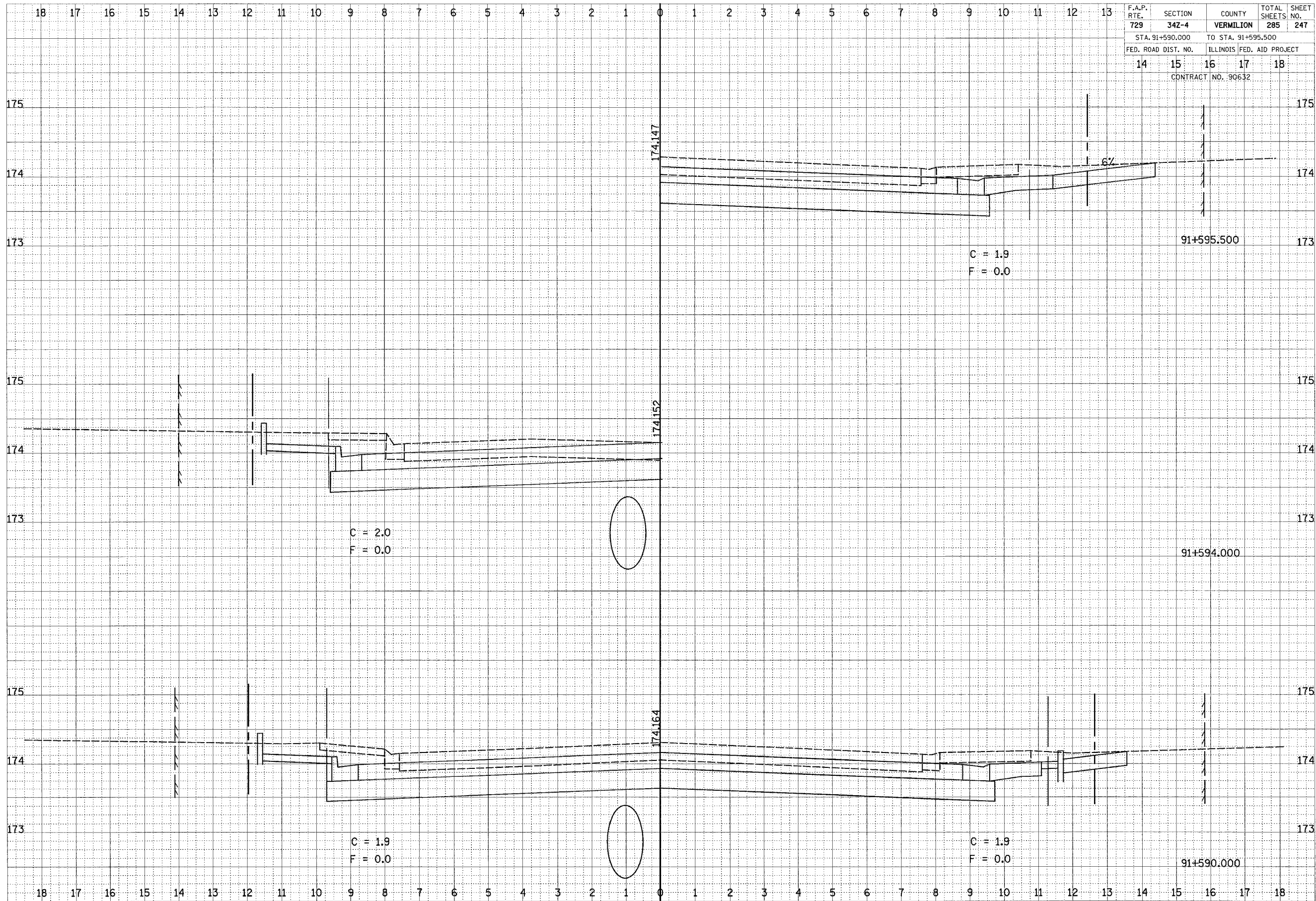




F.A.P. RTE.	SECTION	COUNTY	TOTAL SHEETS	SHEET NO.
729	34Z-4	VERMILION	285	247
STA. 91+590.000		TO STA. 91+595.500		
FED. ROAD DIST. NO.		ILLINOIS FED. AID PROJECT		
14	15	16	17	18
CONTRACT NO. 90632				

FINAL SURVEY	DATE
NOTE BOOK NO.	BY
SURVEYED	PLOTTED
TEMPERATURE	AREAS CHECKED

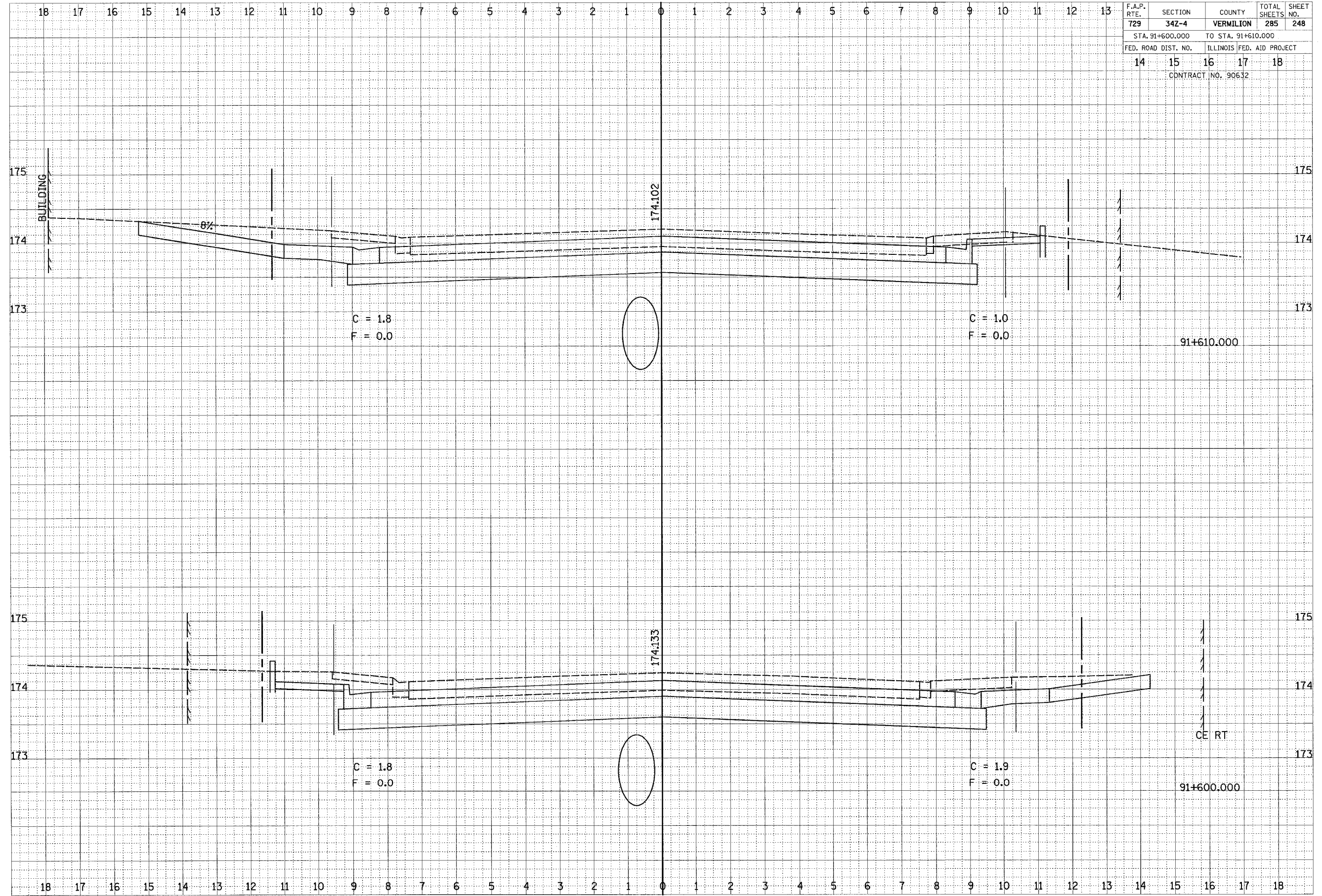
ORIGINAL SURVEY	DATE
NOTE BOOK NO.	BY
SURVEYED	PLOTTED
TEMPERATURE	AREAS CHECKED



CROSS SECTIONS, FAP 729 (US 136)

F.A.P. RTE.	SECTION	COUNTY	TOTAL SHEETS	SHEET NO.
729	34Z-4	VERMILION	285	248
STA. 91+600.000		TO STA. 91+610.000		
FED. ROAD DIST. NO.	ILLINOIS	FED. AID PROJECT		
14	15	16	17	18
CONTRACT NO. 90632				

FINAL SURVEY	SURVEYED	DATE
NOTE BOOK	PLOTTED	
NO.	AREAS	
	CHECKED	



ORIGINAL SURVEY	SURVEYED	DATE
NOTE BOOK	PLOTTED	
NO.	AREAS	
	CHECKED	

CROSS SECTIONS, FAP 729 (US 136)



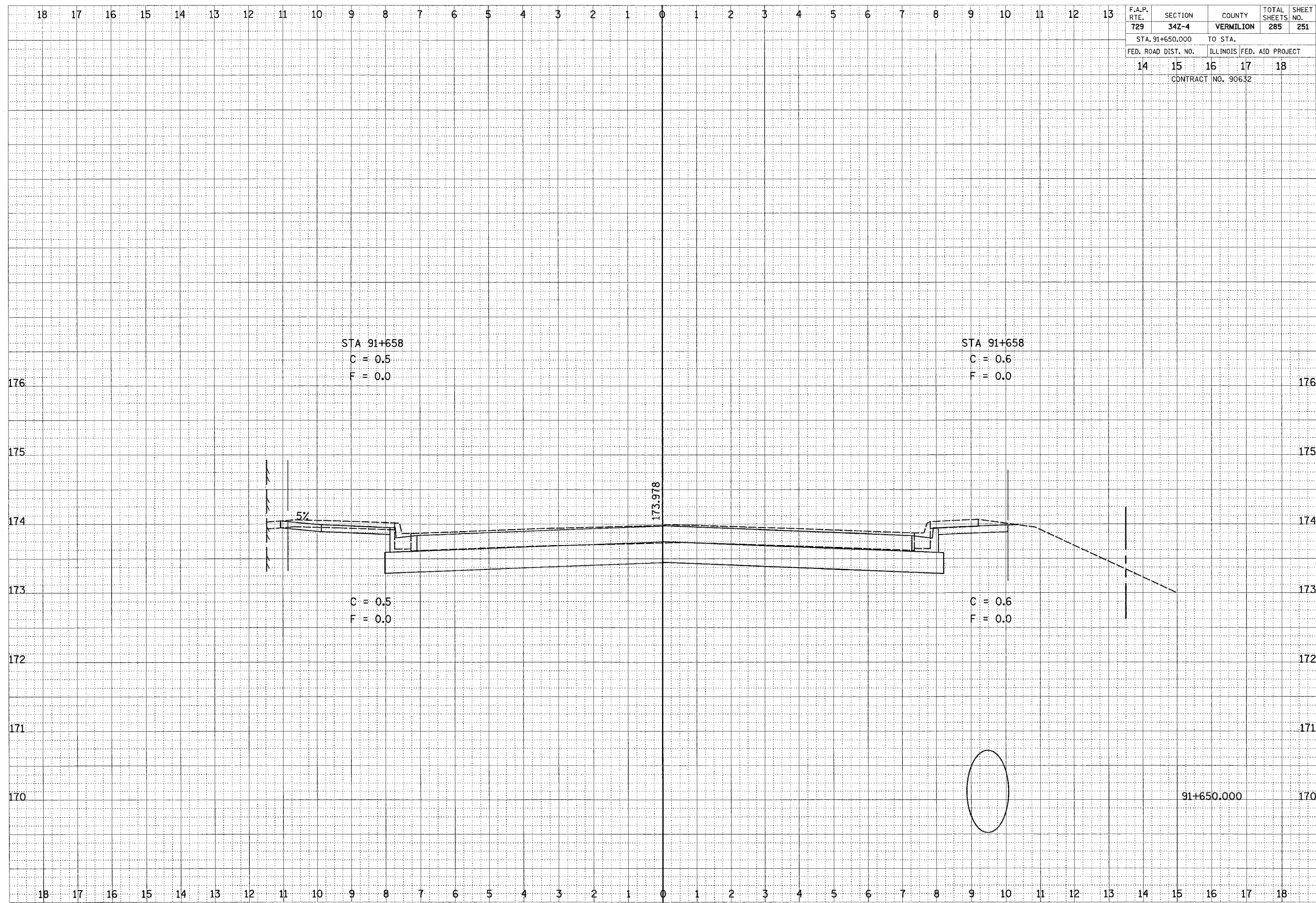




F.A.P. RTE.	SECTION	COUNTY	TOTAL SHEETS	SHEET NO.
729	34Z-4	VERMILION	285	251
STA. 91+650.000		TO STA.		
FED. ROAD DIST. NO.	ILLINOIS	FED. AID PROJECT		
14	15	16	17	18
CONTRACT NO. 90632				

FINAL SURVEY	DATE
REVISIONS	BY
NOTED	
TEMPLATE	
AREAS CHECKED	
NO.	

ORIGINAL SURVEY	DATE
REVISIONS	BY
NOTED	
TEMPLATE	
AREAS CHECKED	
NO.	



18 17 16 15 14 13 12 11 10 9 8 7 6 5 4 3 2 1 0 1 2 3 4 5 6 7 8 9 10 11 12 13 14 15 16 17 18

F.A. RTE.	SECTION	COUNTY	TOTAL SHEETS	SHEET NO.
729	34Z-4	VERMILION	285	252
STA. 4+010.000		TO STA. 4+015.000		
FED. ROAD DIST. NO.		ILLINOIS FED. AID PROJECT		
CONTRACT NO. 90632				

**LEGEND**

— EXISTING ROW

- - - PROPOSED ROW

/// TEMPORARY EASEMENT

\\ PERMANENT EASEMENT

C = 0.2 EXCAVATION - SQ M

F = 0.0 EMBANKMENT - SQ M

WC = 1.2 WIDENING EXCAVATION - SQ M

176.479 PROPOSED GRADE ELEVATION

FINAL SURVEY NOTE BOOK NO. \_\_\_\_\_

DATE \_\_\_\_\_

BY \_\_\_\_\_

SUPERVISOR \_\_\_\_\_

PLOTTED \_\_\_\_\_

TEMPERATURE \_\_\_\_\_

AREAS CHECKED \_\_\_\_\_

ORIGINAL SURVEY NOTE BOOK NO. \_\_\_\_\_

DATE \_\_\_\_\_

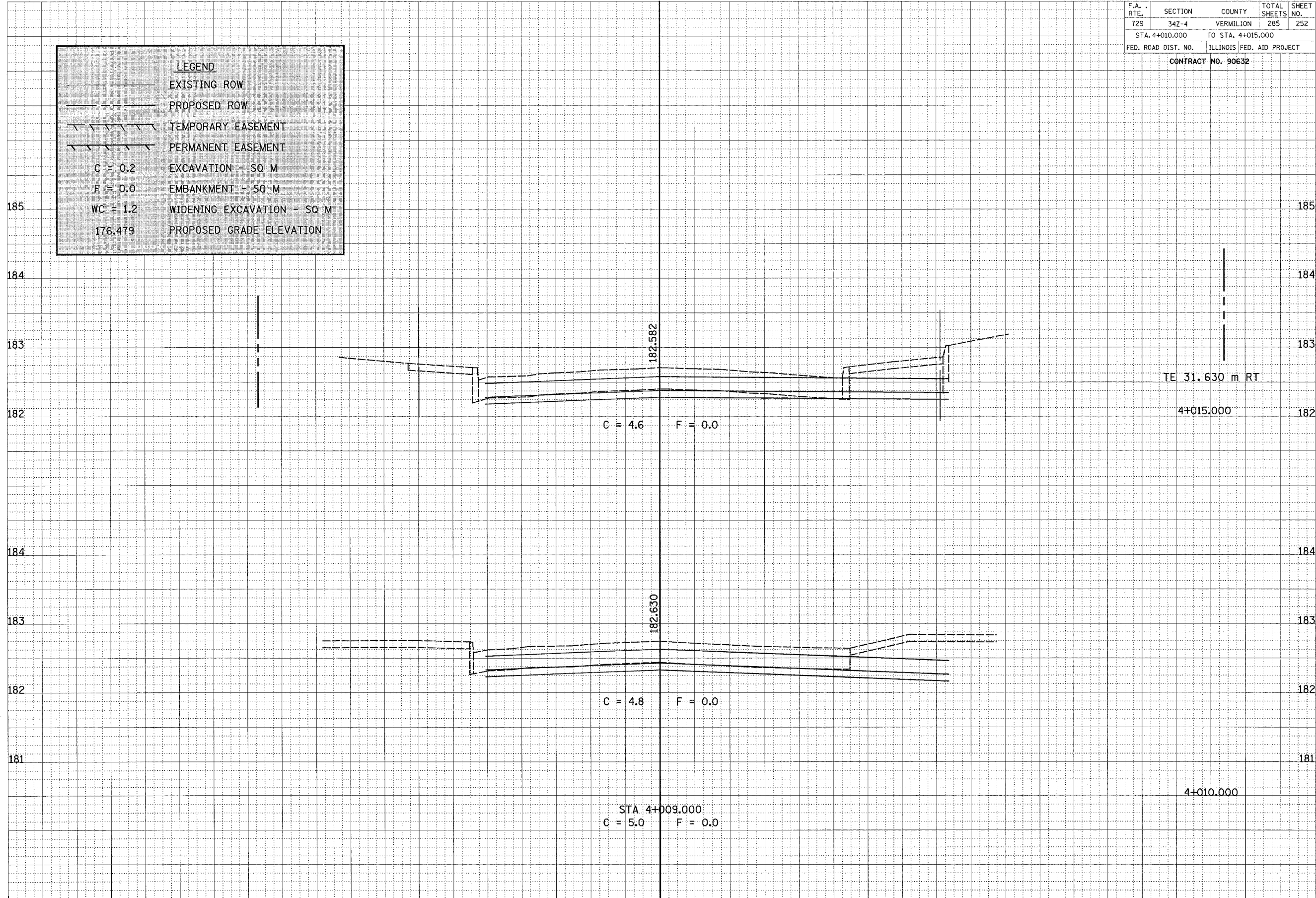
BY \_\_\_\_\_

SUPERVISOR \_\_\_\_\_

PLOTTED \_\_\_\_\_

TEMPERATURE \_\_\_\_\_

AREAS CHECKED \_\_\_\_\_



TE 31.630 m RT

4+015.000

4+010.000

C = 4.6 F = 0.0

C = 4.8 F = 0.0

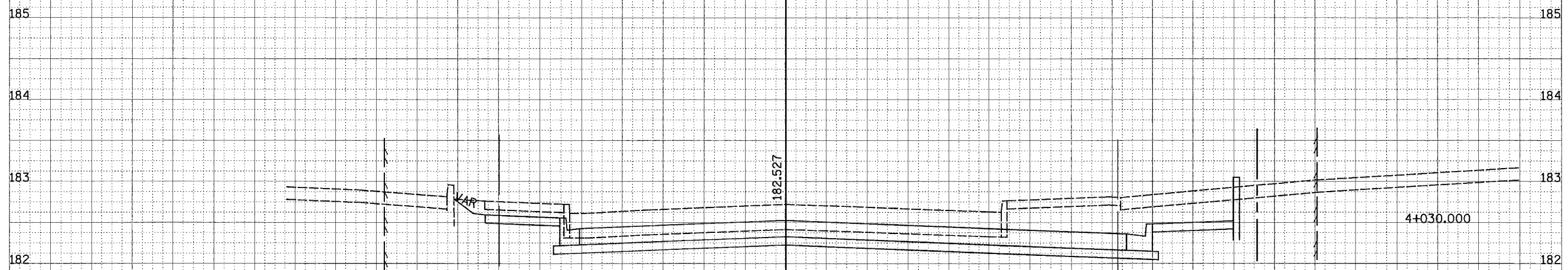
STA 4+009.000  
C = 5.0 F = 0.0



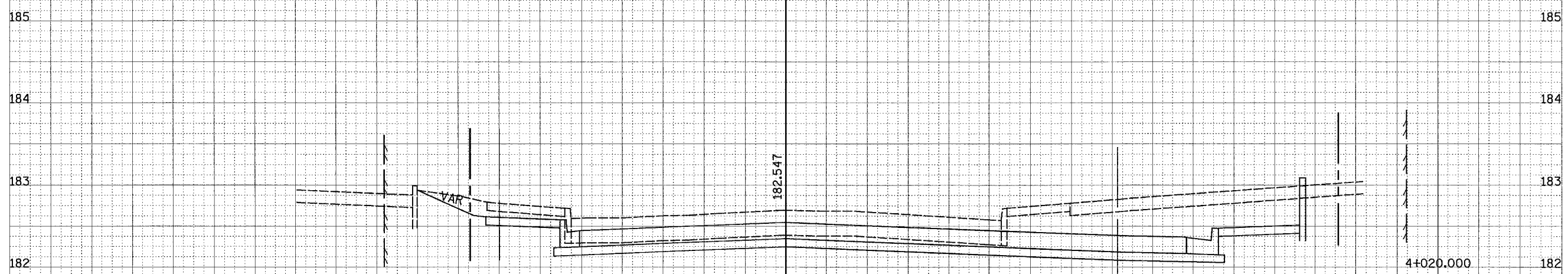
18 17 16 15 14 13 12 11 10 9 8 7 6 5 4 3 2 1 0 1 2 3 4 5 6 7 8 9 10 11 12 13 14 15 16 17 18

F.A. RTE.	SECTION	COUNTY	TOTAL SHEETS	SHEET NO.
729	34Z-4	VERMILION	285	253
STA. 4+020.000 TO STA. 4+030.000				
FED. ROAD DIST. NO.		ILLINOIS FED. AID PROJECT		
CONTRACT NO. 90632				

FINAL SURVEY BY DATE  
 REVISIONS BY DATE  
 SURVEY PLOTTED  
 NOTE BOOK NO.  
 TEMPLATE  
 AREAS CHECKED



ORIGINAL SURVEY BY DATE  
 REVISIONS BY DATE  
 SURVEY PLOTTED  
 NOTE BOOK NO.  
 TEMPLATE  
 AREAS CHECKED



18 17 16 15 14 13 12 11 10 9 8 7 6 5 4 3 2 1 0 1 2 3 4 5 6 7 8 9 10 11 12 13 14 15 16 17 18

CROSS SECTIONS, N WALNUT ST

18 17 16 15 14 13 12 11 10 9 8 7 6 5 4 3 2 1 0 1 2 3 4 5 6 7 8 9 10 11 12 13 14 15 16 17 18

F.A. RTE.	SECTION	COUNTY	TOTAL SHEETS	SHEET NO.
729	34Z-4	VERMILION	285	254
STA. 4+040.000		TO STA. 4+050.000		
FED. ROAD DIST. NO.		ILLINOIS FED. AID PROJECT		
CONTRACT NO. 90632				

FINAL SURVEY NOTE BOOK NO. \_\_\_\_\_

DATE \_\_\_\_\_

BY \_\_\_\_\_

REVISIONS

NO. \_\_\_\_\_

DATE \_\_\_\_\_

BY \_\_\_\_\_

DESCRIPTION

ORIGINAL SURVEY NOTE BOOK NO. \_\_\_\_\_

DATE \_\_\_\_\_

BY \_\_\_\_\_

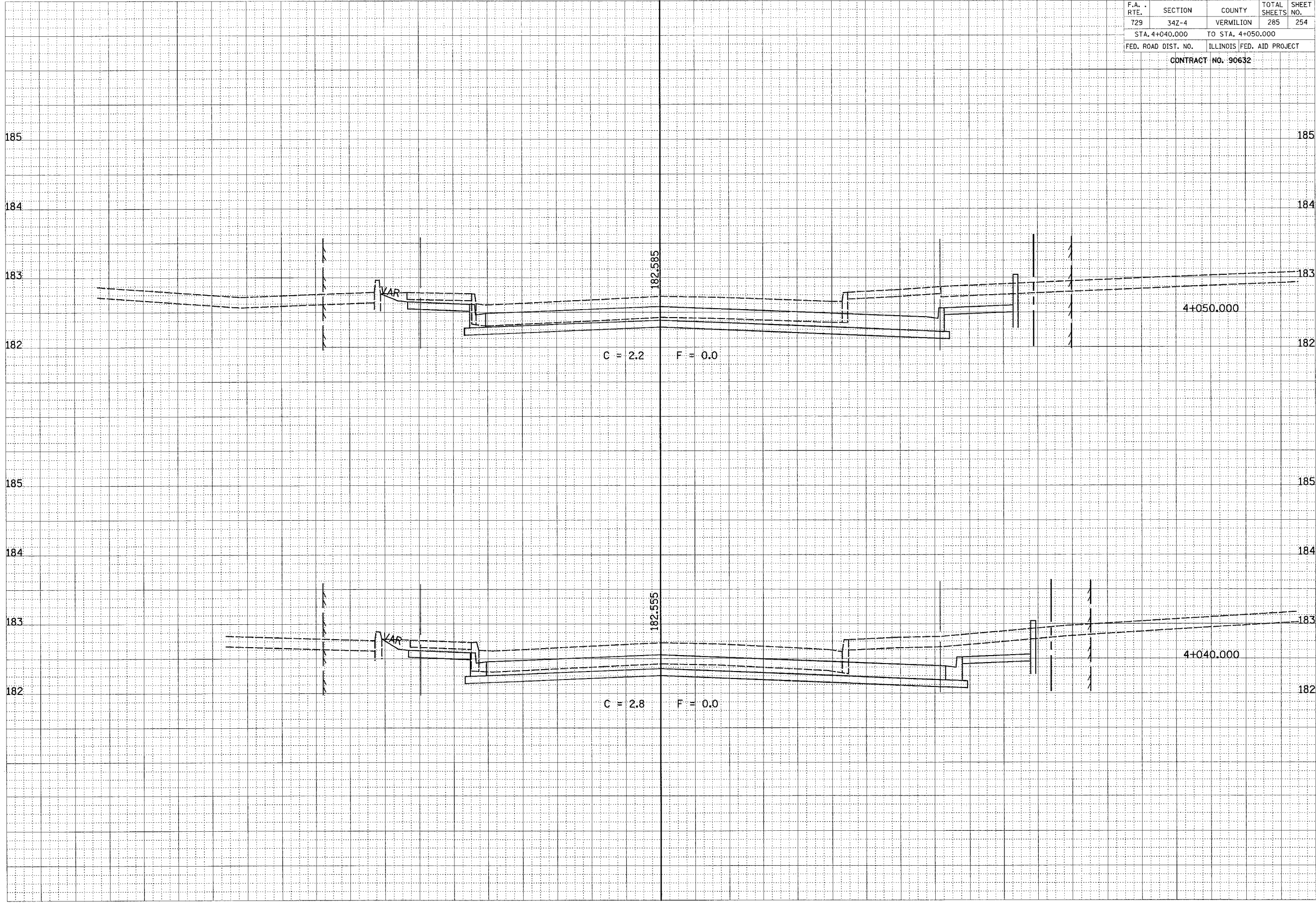
REVISIONS

NO. \_\_\_\_\_

DATE \_\_\_\_\_

BY \_\_\_\_\_

DESCRIPTION



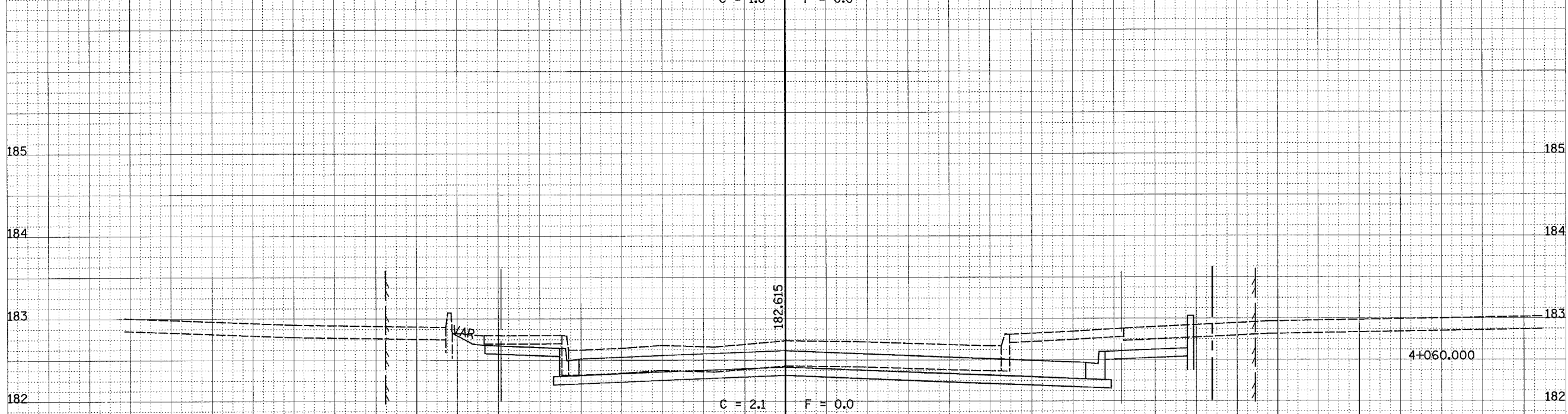
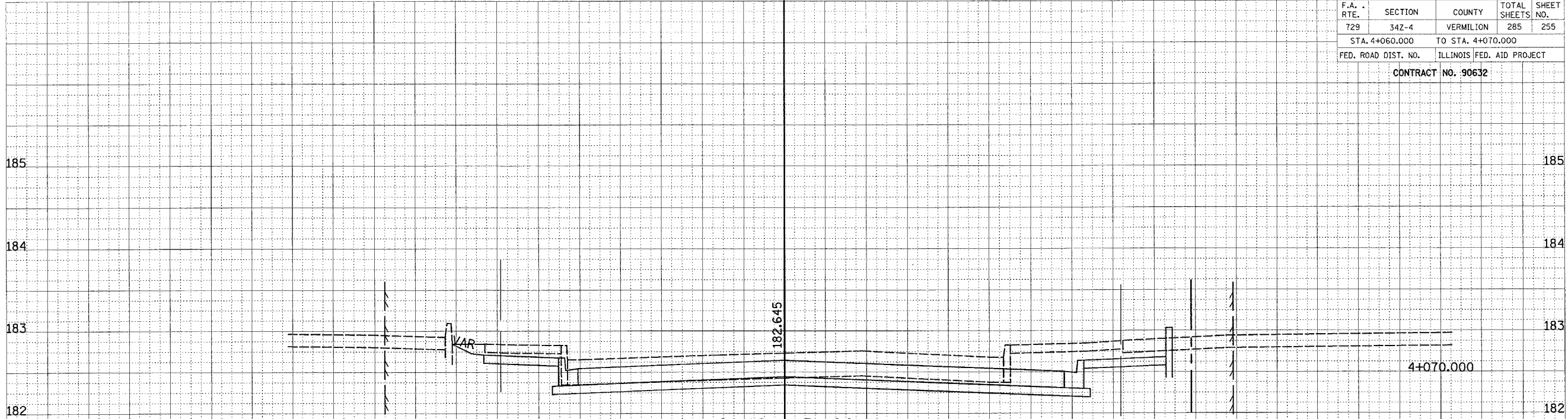
CROSS SECTIONS, N WALNUT ST

18 17 16 15 14 13 12 11 10 9 8 7 6 5 4 3 2 1 0 1 2 3 4 5 6 7 8 9 10 11 12 13 14 15 16 17 18

F.A. RTE.	SECTION	COUNTY	TOTAL SHEETS	SHEET NO.
729	342-4	VERMILION	285	255
STA. 4+060.000		TO STA. 4+070.000		
FED. ROAD DIST. NO.		ILLINOIS FED. AID PROJECT		
CONTRACT NO. 90632				

FINAL SURVEY BY DATE  
 SURVEYED BY  
 CHECKED BY  
 DATE

ORIGINAL SURVEY BY DATE  
 SURVEYED BY  
 CHECKED BY  
 DATE



18 17 16 15 14 13 12 11 10 9 8 7 6 5 4 3 2 1 0 1 2 3 4 5 6 7 8 9 10 11 12 13 14 15 16 17 18

CROSS SECTIONS, N WALNUT ST

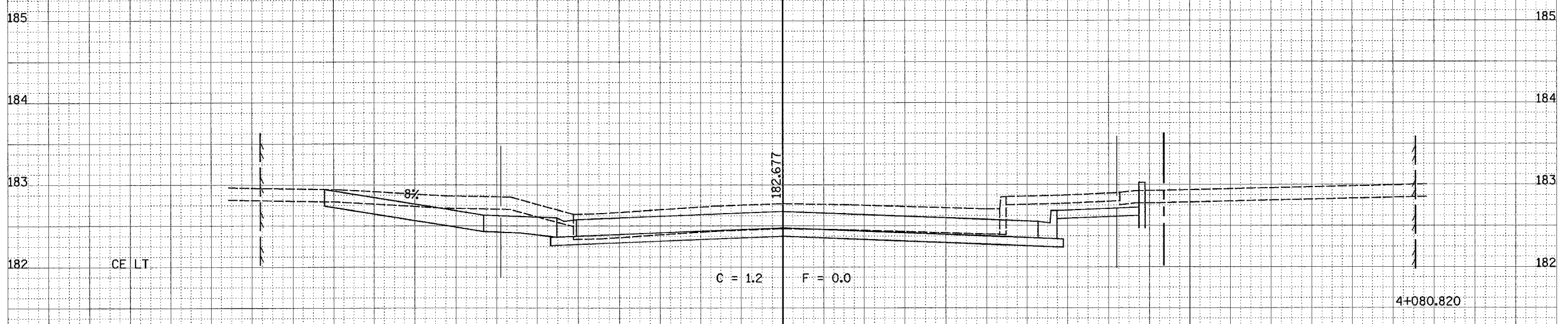
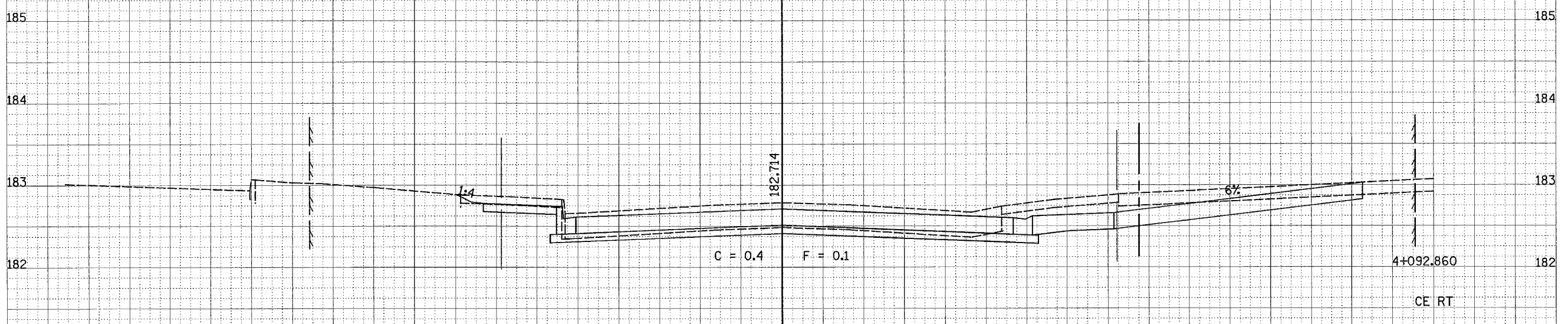


18 17 16 15 14 13 12 11 10 9 8 7 6 5 4 3 2 1 0 1 2 3 4 5 6 7 8 9 10 11 12 13 14 15 16 17 18

F.A. RTE.	SECTION	COUNTY	TOTAL SHEETS	SHEET NO.
729	34Z-4	VERMILION	285	256
STA. 4+080.820		TO STA. 4+092.860		
FED. ROAD DIST. NO.		ILLINOIS FED. AID PROJECT		
CONTRACT NO. 90632				

FINAL SURVEY	DATE
SURVEYED	BY
NOTE BOOK	
AREAS	
CHECKED	

ORIGINAL SURVEY	DATE
SURVEYED	BY
NOTE BOOK	
AREAS	
CHECKED	



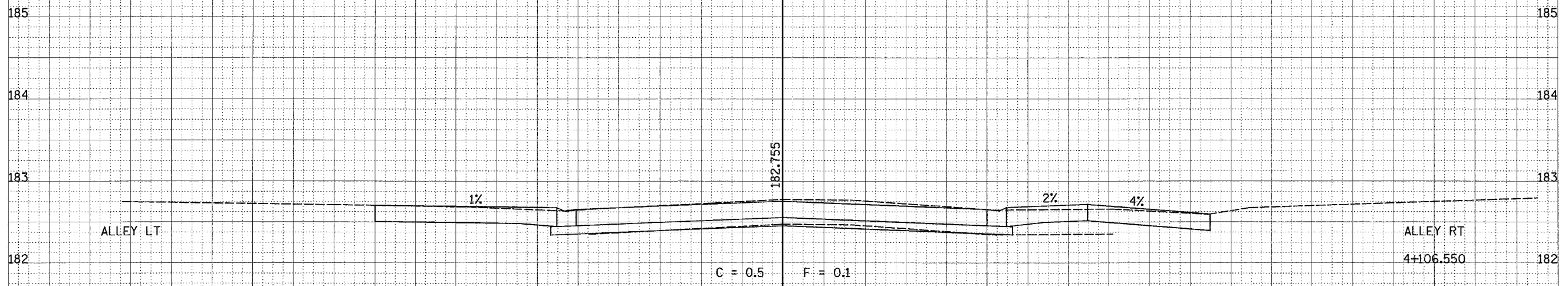
18 17 16 15 14 13 12 11 10 9 8 7 6 5 4 3 2 1 0 1 2 3 4 5 6 7 8 9 10 11 12 13 14 15 16 17 18

CROSS SECTIONS, N WALNUT ST

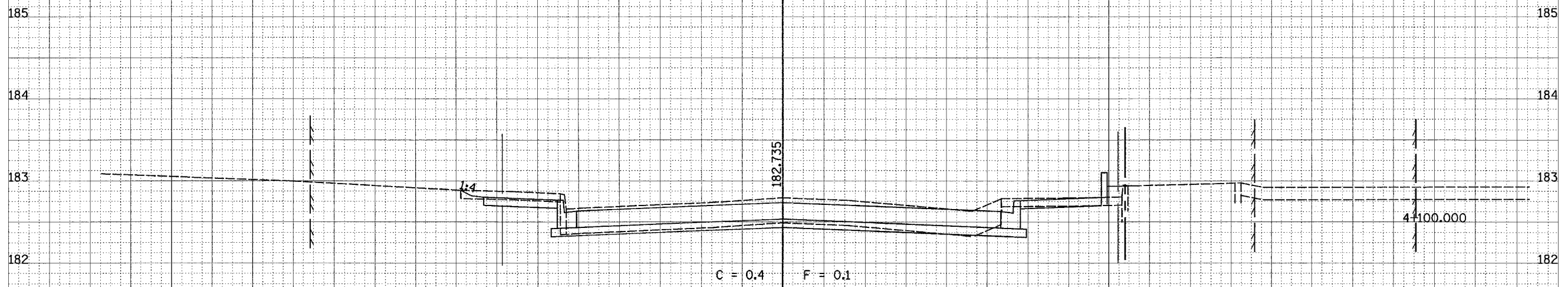
18 17 16 15 14 13 12 11 10 9 8 7 6 5 4 3 2 1 0 1 2 3 4 5 6 7 8 9 10 11 12 13 14 15 16 17 18

F.A. RTE.	SECTION	COUNTY	TOTAL SHEETS	SHEET NO.
729	342-4	VERMILION	285	257
STA. 4+100.000		TO STA. 4+106.550		
FED. ROAD DIST. NO.		ILLINOIS FED. AID PROJECT		
CONTRACT NO. 90632				

BY \_\_\_\_\_ DATE \_\_\_\_\_  
 SURVEYED \_\_\_\_\_  
 CHECKED \_\_\_\_\_  
 ORIGINAL SURVEY \_\_\_\_\_  
 NOTE BOOK \_\_\_\_\_  
 AREAS \_\_\_\_\_  
 AREAS CHECKED \_\_\_\_\_



BY \_\_\_\_\_ DATE \_\_\_\_\_  
 SURVEYED \_\_\_\_\_  
 CHECKED \_\_\_\_\_  
 ORIGINAL SURVEY \_\_\_\_\_  
 NOTE BOOK \_\_\_\_\_  
 AREAS \_\_\_\_\_  
 AREAS CHECKED \_\_\_\_\_



18 17 16 15 14 13 12 11 10 9 8 7 6 5 4 3 2 1 0 1 2 3 4 5 6 7 8 9 10 11 12 13 14 15 16 17 18

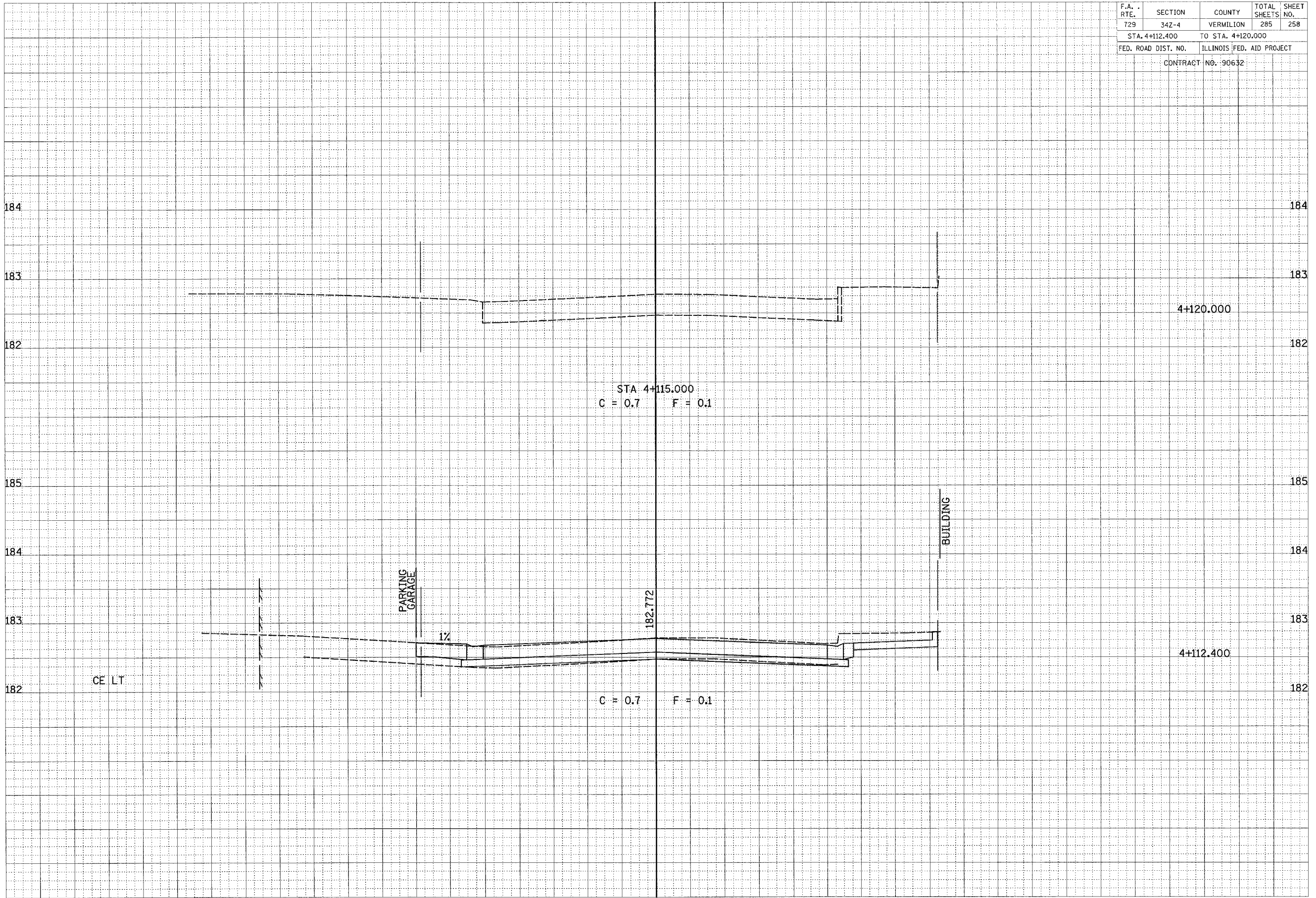
CROSS SECTIONS, N WALNUT ST

18 17 16 15 14 13 12 11 10 9 8 7 6 5 4 3 2 1 0 1 2 3 4 5 6 7 8 9 10 11 12 13 14 15 16 17 18

F.A. RTE.	SECTION	COUNTY	TOTAL SHEETS	SHEET NO.
729	34Z-4	VERMILION	285	258
STA. 4+112.400		TO STA. 4+120.000		
FED. ROAD DIST. NO.		ILLINOIS FED. AID PROJECT		
CONTRACT NO. 90632				

FINAL SURVEY	DATE
NOTED	BY
PLOTTED	
TEMPLATE	
AREAS CHECKED	
NO.	

ORIGINAL SURVEY	DATE
NOTED	BY
PLOTTED	
TEMPLATE	
AREAS CHECKED	
NO.	



CROSS SECTIONS, N WALNUT ST



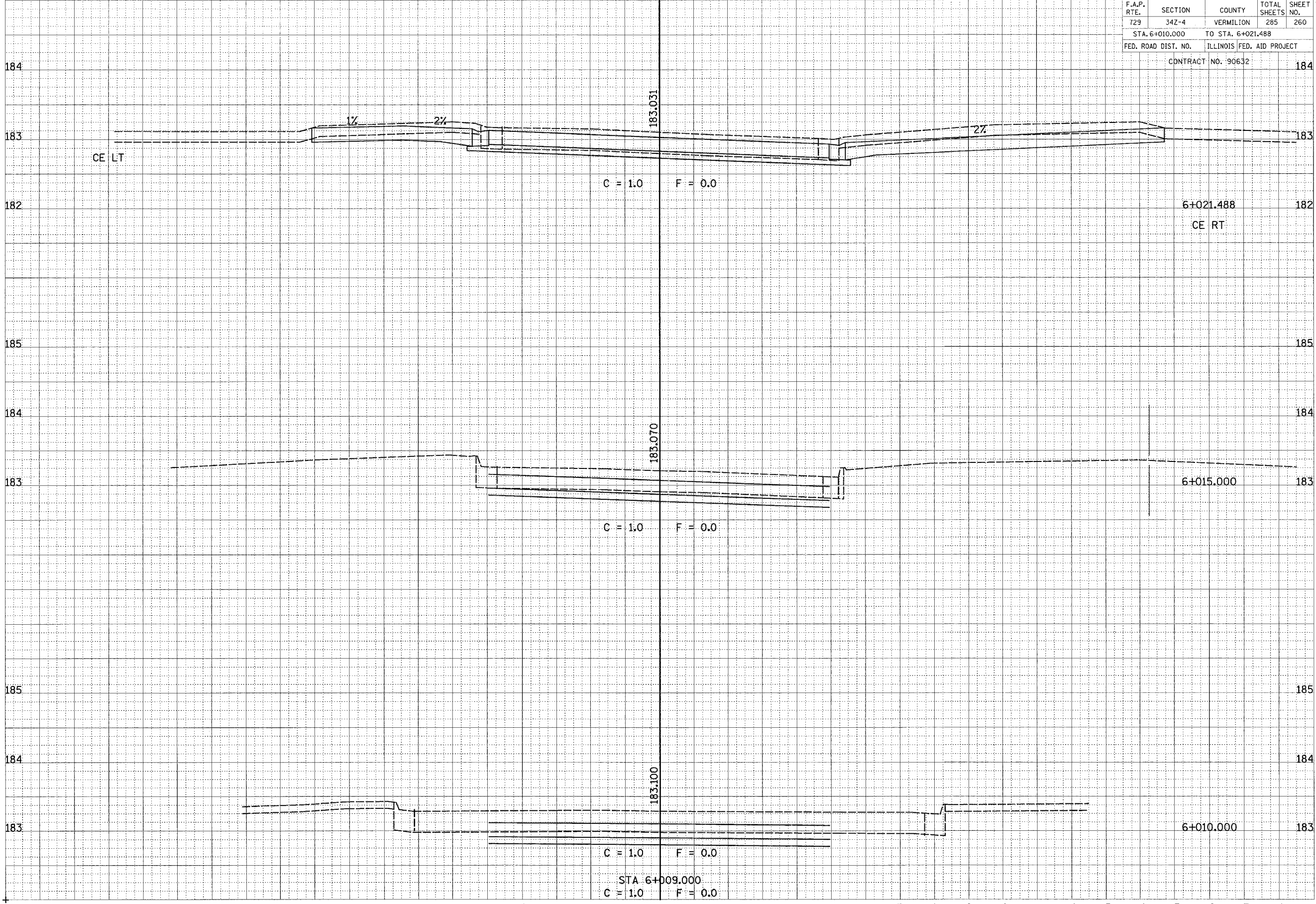


18 17 16 15 14 13 12 11 10 9 8 7 6 5 4 3 2 1 0 1 2 3 4 5 6 7 8 9 10 11 12 13 14 15 16 17 18

F.A.P. RTE.	SECTION	COUNTY	TOTAL SHEETS	SHEET NO.
729	34Z-4	VERMILION	285	260
STA. 6+010.000		TO STA. 6+021.488		
FED. ROAD DIST. NO.		ILLINOIS FED. AID PROJECT		
CONTRACT NO. 90632				184

FINAL SURVEY NOTE BOOK NO.	BY	DATE

ORIGINAL SURVEY NOTE BOOK NO.	BY	DATE



CROSS SECTIONS, N VERMILION ST

18 17 16 15 14 13 12 11 10 9 8 7 6 5 4 3 2 1 0 1 2 3 4 5 6 7 8 9 10 11 12 13 14 15 16 17 18

F.A.P. RTE.	SECTION	COUNTY	TOTAL SHEETS	SHEET NO.
729	34Z-4	VERMILION	285	261
STA. 6+030.000		TO STA. 6+040.000		
FED. ROAD DIST. NO.		ILLINOIS FED. AID PROJECT		
CONTRACT NO. 90632				

FINAL SURVEY NOTE BOOK NO. \_\_\_\_\_

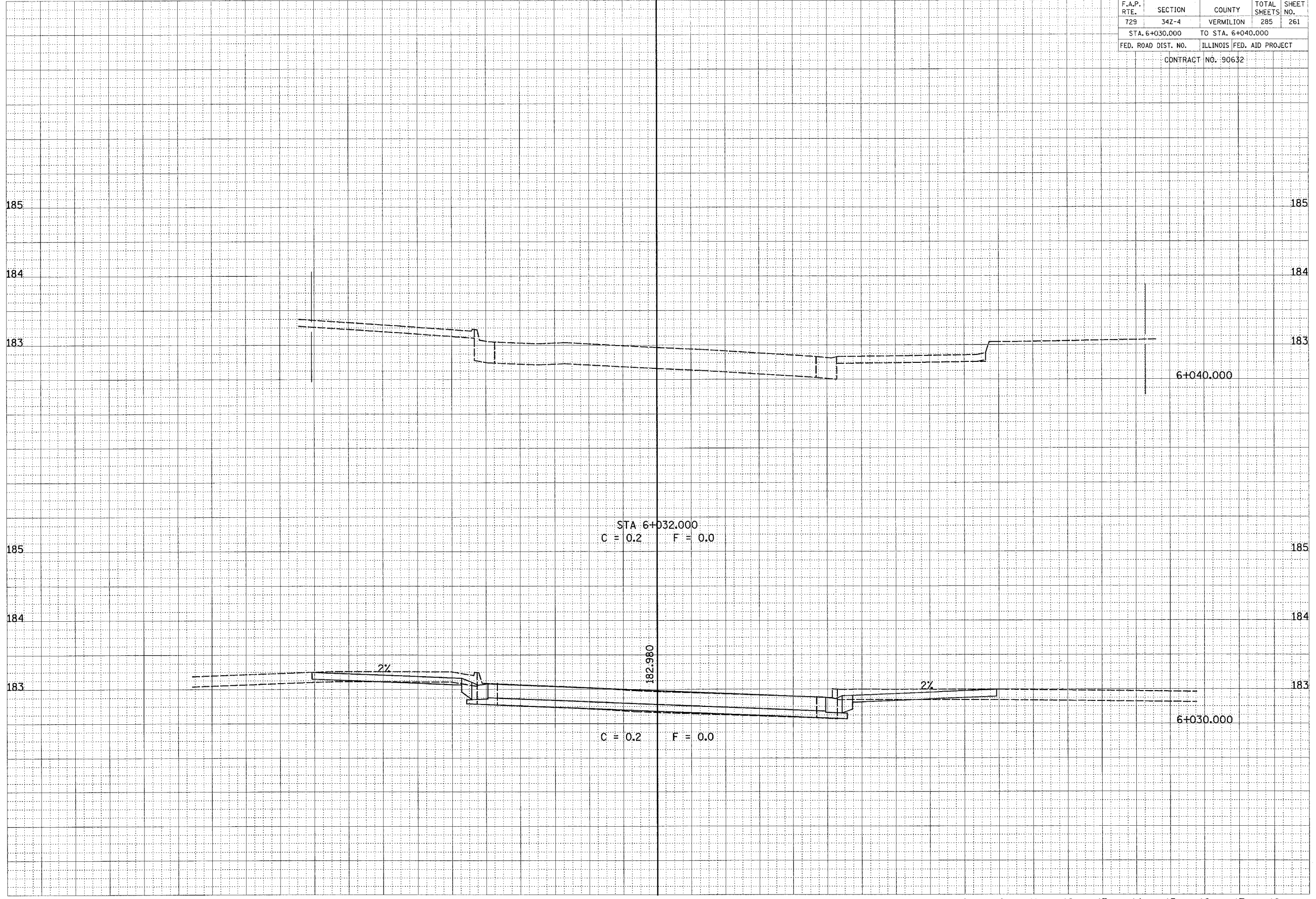
BY \_\_\_\_\_ DATE \_\_\_\_\_

AREAS CHECKED \_\_\_\_\_

ORIGINAL SURVEY NOTE BOOK NO. \_\_\_\_\_

BY \_\_\_\_\_ DATE \_\_\_\_\_

AREAS CHECKED \_\_\_\_\_



CROSS SECTIONS, N VERMILION ST

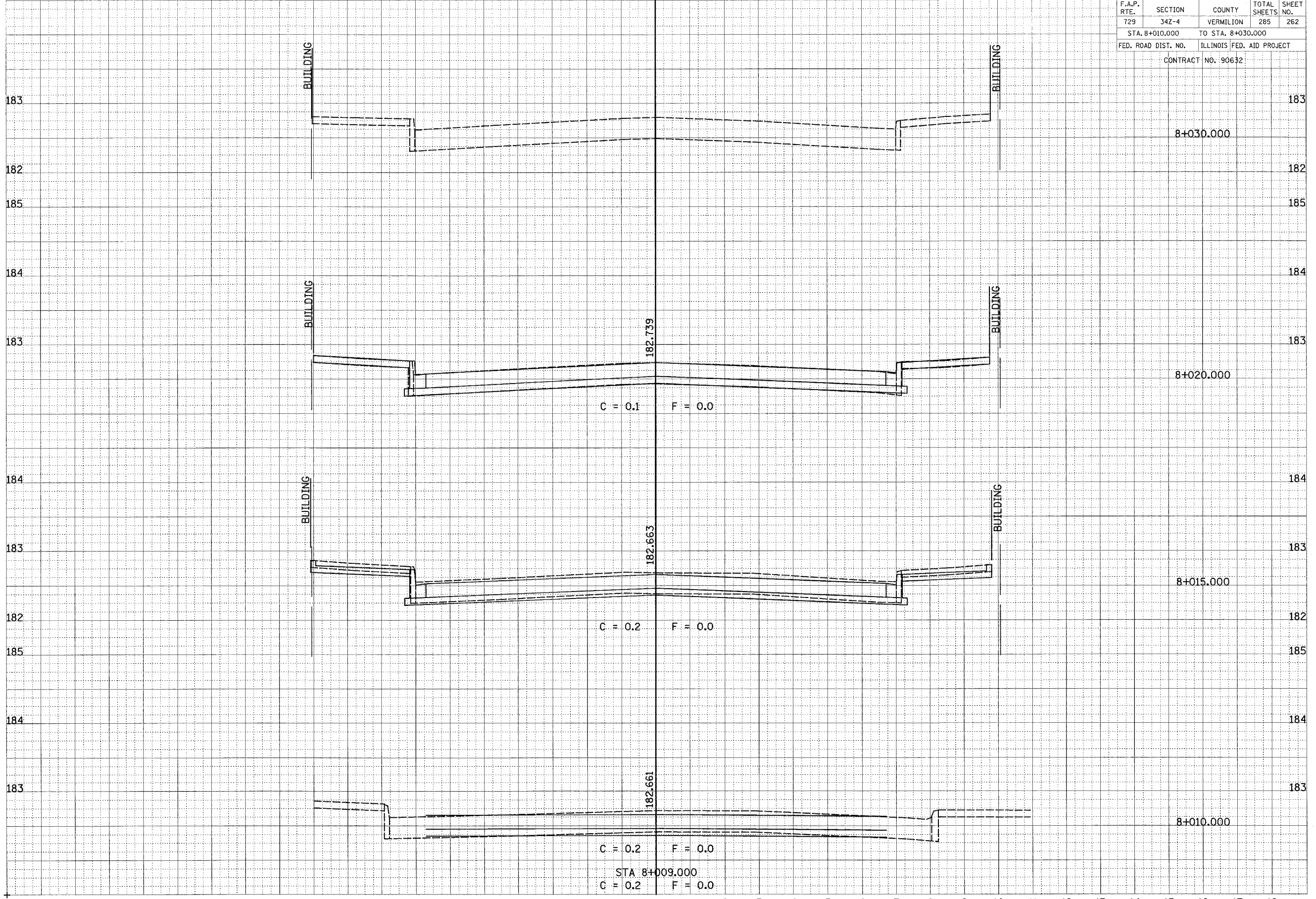


18 17 16 15 14 13 12 11 10 9 8 7 6 5 4 3 2 1 0 1 2 3 4 5 6 7 8 9 10 11 12 13 14 15 16 17 18

F.A.P. RTE.	SECTION	COUNTY	TOTAL SHEETS	SHEET NO.
729	34Z-4	VERMILION	285	262
STA. 8+010.000 TO STA. 8+030.000				
FED. ROAD DIST. NO.		ILLINOIS FED. AID PROJECT		
CONTRACT NO. 90632				

FINAL SURVEY BY DATE  
 SURVEYED BY \_\_\_\_\_  
 NOTE BOOK NO. \_\_\_\_\_  
 TEMPLATE NO. \_\_\_\_\_  
 AREAS CHECKED \_\_\_\_\_  
 CROSS CHECKED \_\_\_\_\_

ORIGINAL SURVEY BY DATE  
 SURVEYED BY \_\_\_\_\_  
 NOTE BOOK NO. \_\_\_\_\_  
 TEMPLATE NO. \_\_\_\_\_  
 AREAS CHECKED \_\_\_\_\_  
 CROSS CHECKED \_\_\_\_\_

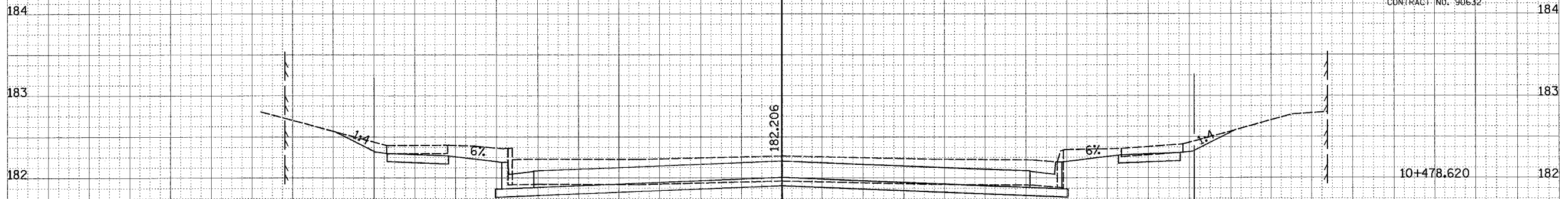


CROSS SECTIONS, N HAZEL ST

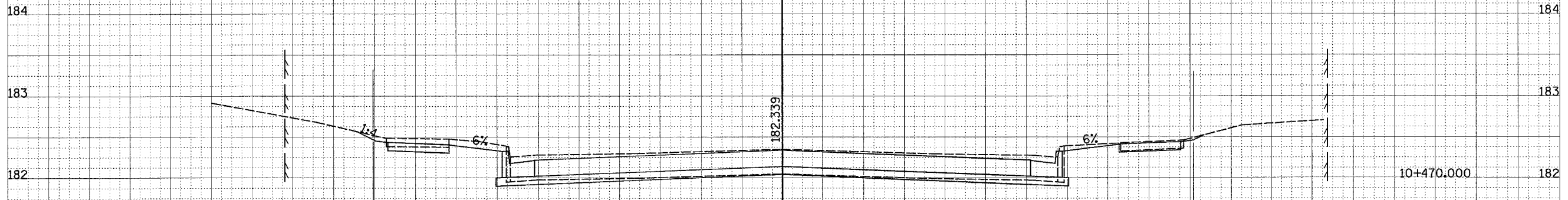
18 17 16 15 14 13 12 11 10 9 8 7 6 5 4 3 2 1 0 1 2 3 4 5 6 7 8 9 10 11 12 13 14 15 16 17 18

F.A.P. RTE.	SECTION	COUNTY	TOTAL SHEETS	SHEET NO.
729	34Z-4	VERMILION	285	263
STA. 10+460.000		TO STA. 10+478.620		
FED. ROAD DIST. NO.		ILLINOIS FED. AID PROJECT		
CONTRACT NO. 90632				184

FINAL SURVEY	DATE
SURVEYED	
TEMPLATE	
AREAS	
CHECKED	
NO.	



ORIGINAL SURVEY	DATE
SURVEYED	
TEMPLATE	
AREAS	
CHECKED	
NO.	



STA 10+469.000  
C = 0.3 F = 0.0



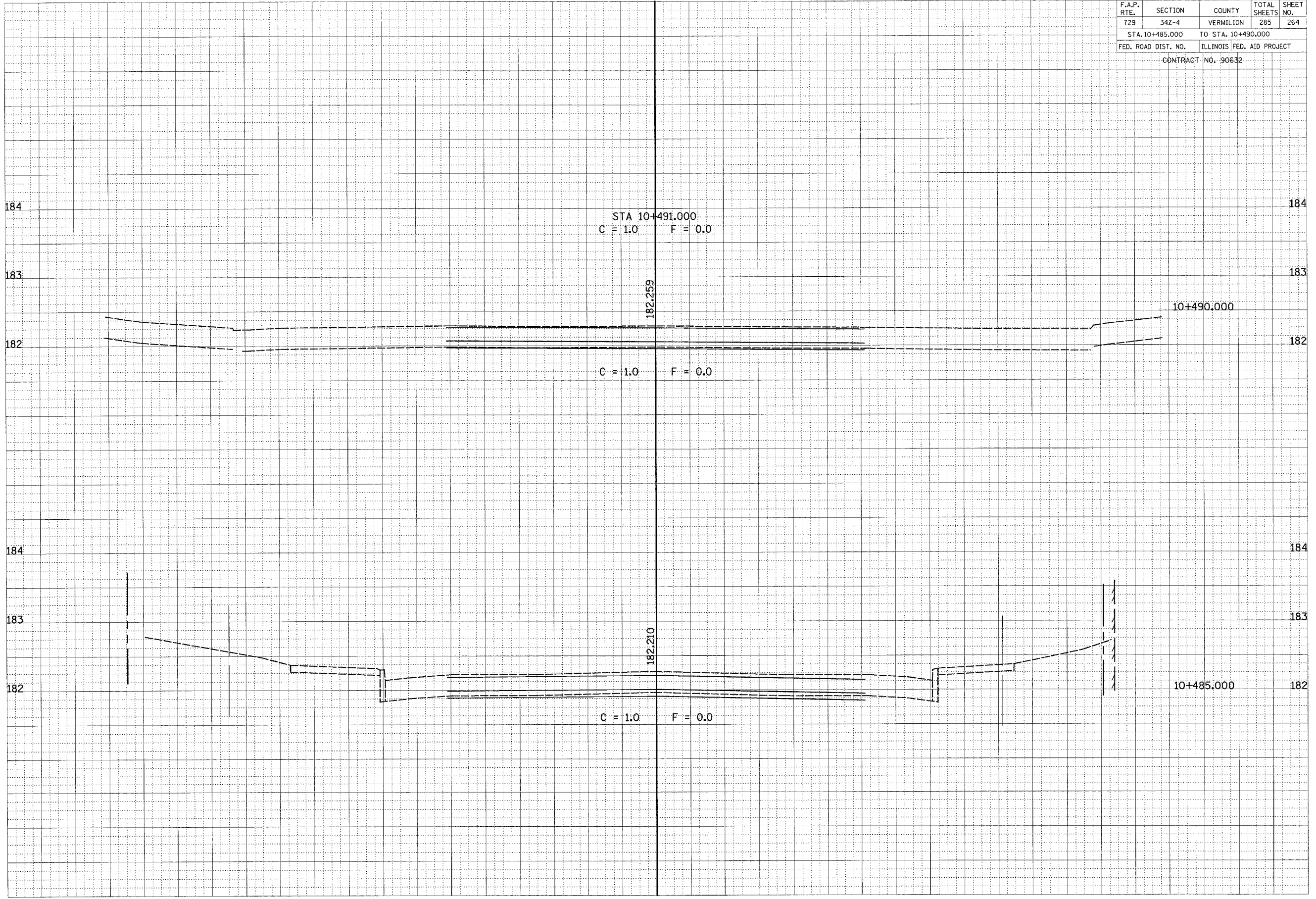
18 17 16 15 14 13 12 11 10 9 8 7 6 5 4 3 2 1 0 1 2 3 4 5 6 7 8 9 10 11 12 13 14 15 16 17 18

18 17 16 15 14 13 12 11 10 9 8 7 6 5 4 3 2 1 0 1 2 3 4 5 6 7 8 9 10 11 12 13 14 15 16 17 18

F.A.P. RTE.	SECTION	COUNTY	TOTAL SHEETS	SHEET NO.
729	34Z-4	VERMILION	285	264
STA. 10+485.000		TO STA. 10+490.000		
FED. ROAD DIST. NO.		ILLINOIS FED. AID PROJECT		
CONTRACT NO. 90632				

FINAL SURVEY  
 SURVEYED BY \_\_\_\_\_ DATE \_\_\_\_\_  
 PLOTTED BY \_\_\_\_\_  
 NOTE BOOK NO. \_\_\_\_\_  
 AREAS CHECKED \_\_\_\_\_  
 MA. \_\_\_\_\_

ORIGINAL SURVEY  
 SURVEYED BY \_\_\_\_\_ DATE \_\_\_\_\_  
 PLOTTED BY \_\_\_\_\_  
 NOTE BOOK NO. \_\_\_\_\_  
 AREAS CHECKED \_\_\_\_\_  
 MA. \_\_\_\_\_



CROSS SECTIONS, S JACKSON ST

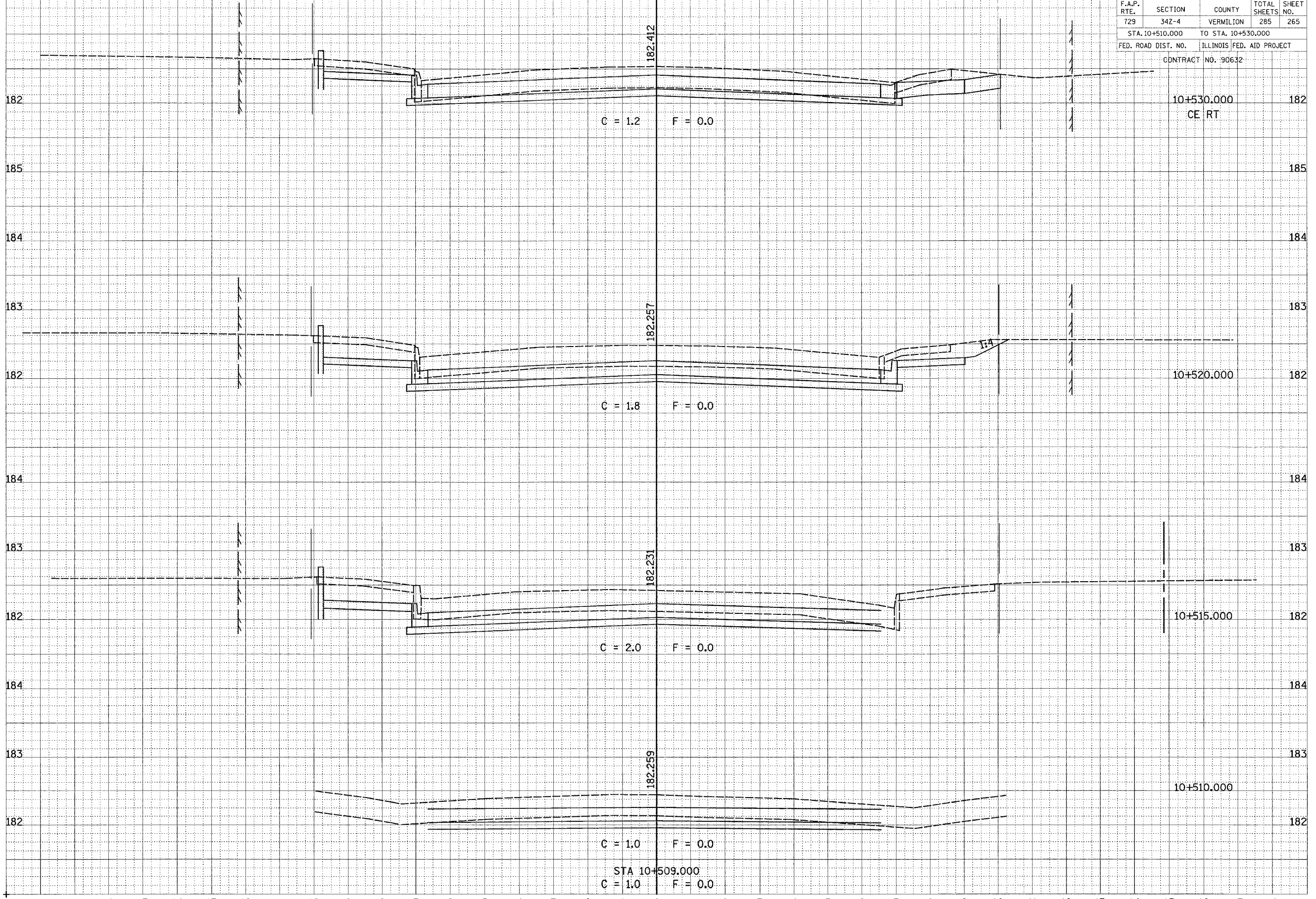


18 17 16 15 14 13 12 11 10 9 8 7 6 5 4 3 2 1 0 1 2 3 4 5 6 7 8 9 10 11 12 13 14 15 16 17 18

F.A.P. RTE.	SECTION	COUNTY	TOTAL SHEETS	SHEET NO.
729	34Z-4	VERMILION	285	265
STA. 10+510.000		TO STA. 10+530.000		
FED. ROAD DIST. NO.		ILLINOIS FED. AID PROJECT		
CONTRACT NO. 90632				

FINAL SURVEY	DATE
BY	
REVIEWED	
NOTE BOOK	
TEMPLATE	
AREAS	
CHECKED	
NO.	

ORIGINAL SURVEY	DATE
BY	
REVIEWED	
NOTE BOOK	
TEMPLATE	
AREAS	
CHECKED	
NO.	



CROSS SECTIONS, N JACKSON ST

18 17 16 15 14 13 12 11 10 9 8 7 6 5 4 3 2 1 0 1 2 3 4 5 6 7 8 9 10 11 12 13 14 15 16 17 18

F.A.P. RTE.	SECTION	COUNTY	TOTAL SHEETS	SHEET NO.
729	34Z-4	VERMILION	285	266
STA. 10+534.170		TO STA. 10+550.000		
FED. ROAD DIST. NO.		ILLINOIS FED. AID PROJECT		
CONTRACT NO. 90632				

FINAL SURVEY NOTE BOOK NO. \_\_\_\_\_

DATE \_\_\_\_\_

BY \_\_\_\_\_

DESIGNED BY \_\_\_\_\_

CHECKED BY \_\_\_\_\_

APPROVED BY \_\_\_\_\_

ORIGINAL SURVEY NOTE BOOK NO. \_\_\_\_\_

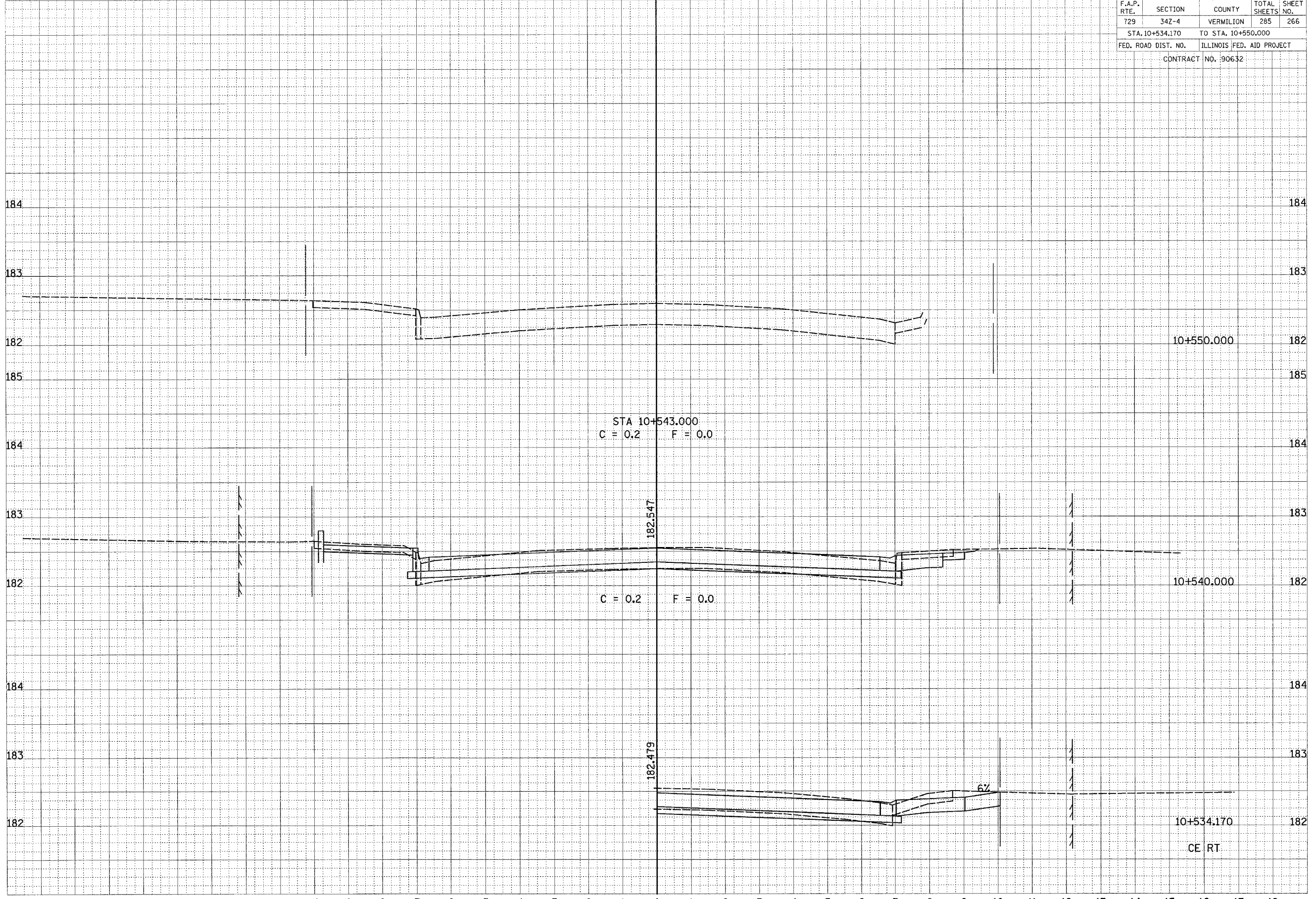
DATE \_\_\_\_\_

BY \_\_\_\_\_

DESIGNED BY \_\_\_\_\_

CHECKED BY \_\_\_\_\_

APPROVED BY \_\_\_\_\_



CROSS SECTIONS, N JACKSON ST





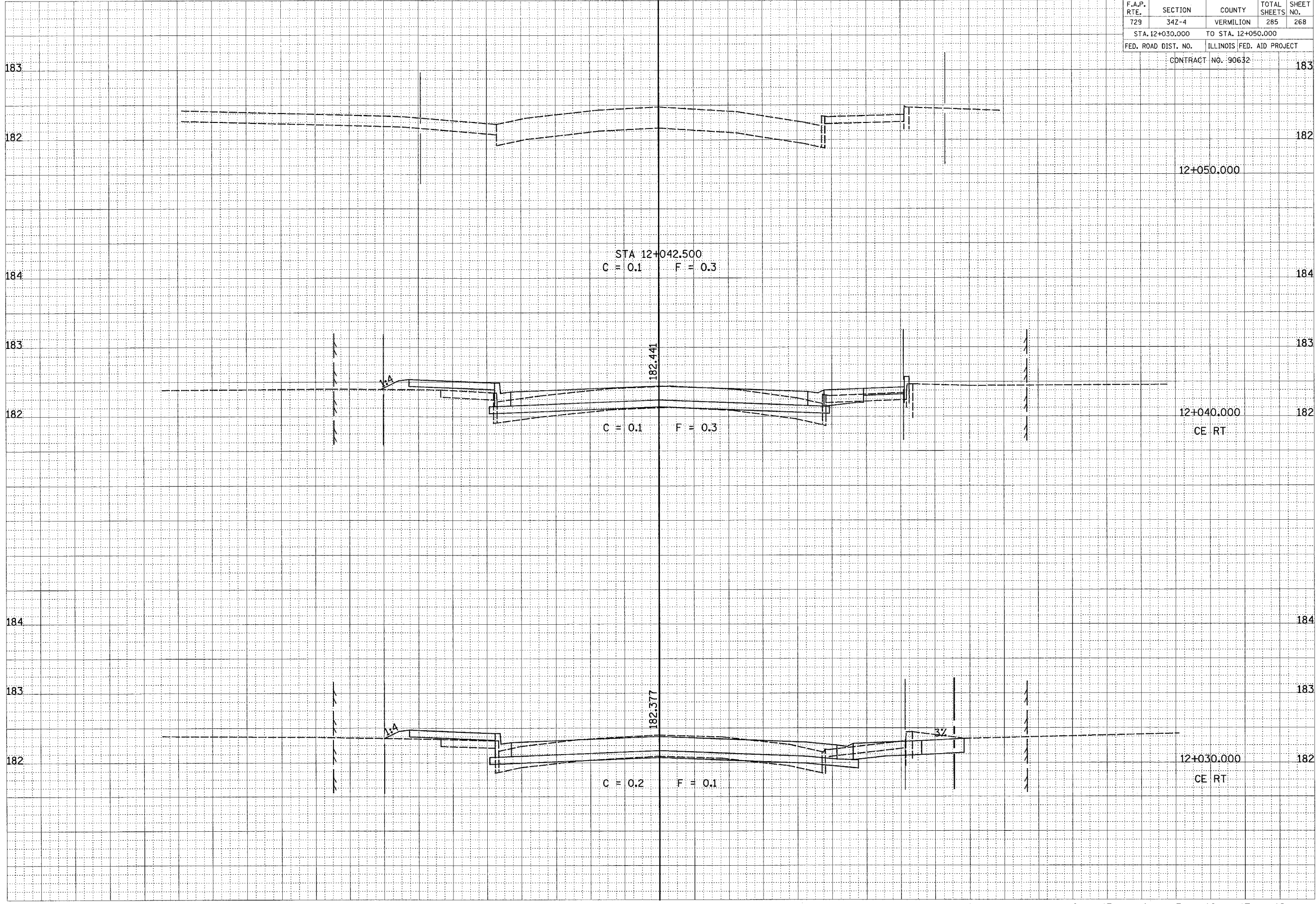
18 17 16 15 14 13 12 11 10 9 8 7 6 5 4 3 2 1 0 1 2 3 4 5 6 7 8 9 10 11 12 13 14 15 16 17 18

F.A.P. RTE.	SECTION	COUNTY	TOTAL SHEETS	SHEET NO.
729	34Z-4	VERMILION	285	268
STA. 12+030.000 TO STA. 12+050.000				
FED. ROAD DIST. NO.		ILLINOIS FED. AID PROJECT		

CONTRACT NO. 90632

FINAL SURVEY NOTE BOOK NO. \_\_\_\_\_  
 SURVEYED BY \_\_\_\_\_ DATE \_\_\_\_\_  
 CHECKED BY \_\_\_\_\_

ORIGINAL SURVEY NOTE BOOK NO. \_\_\_\_\_  
 SURVEYED BY \_\_\_\_\_ DATE \_\_\_\_\_  
 CHECKED BY \_\_\_\_\_



CROSS SECTIONS, N WASHINGTON ST

18 17 16 15 14 13 12 11 10 9 8 7 6 5 4 3 2 1 0 1 2 3 4 5 6 7 8 9 10 11 12 13 14 15 16 17 18

F.A.P. RTE.	SECTION	COUNTY	TOTAL SHEETS	SHEET NO.
729	342-4	VERMILION	285	269
STA. 12+961.500		TO STA. 12+980.000		
FED. ROAD DIST. NO.		ILLINOIS FED. AID PROJECT		
CONTRACT NO. 90632				184

FINAL SURVEY NOTE BOOK NO. \_\_\_\_\_

DATE \_\_\_\_\_

BY \_\_\_\_\_

REVIEWED \_\_\_\_\_

TEMP. PLATE \_\_\_\_\_

AREAS \_\_\_\_\_

PREP. CHECKED \_\_\_\_\_

ORIGINAL SURVEY NOTE BOOK NO. \_\_\_\_\_

DATE \_\_\_\_\_

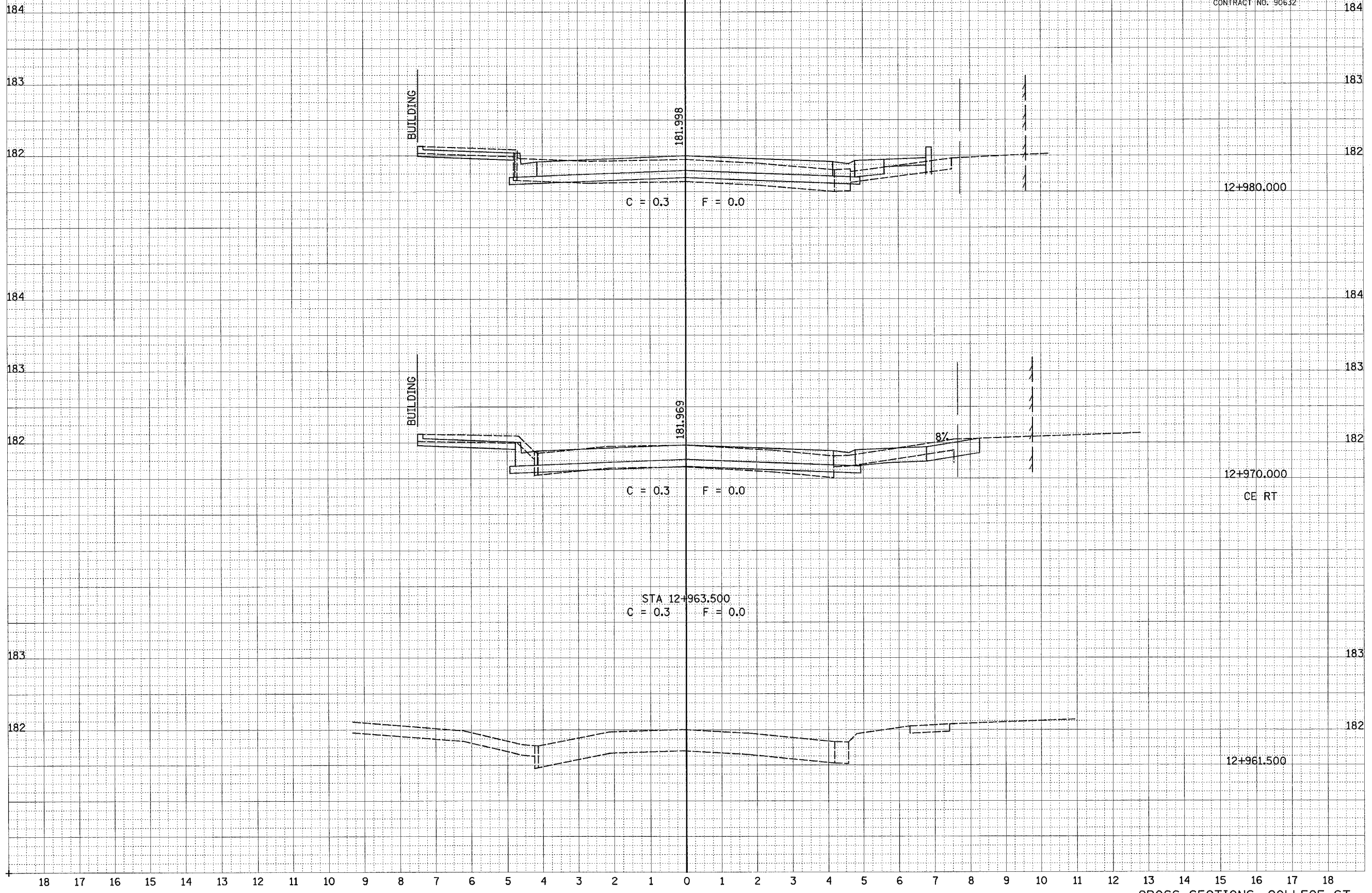
BY \_\_\_\_\_

REVIEWED \_\_\_\_\_

TEMP. PLATE \_\_\_\_\_

AREAS \_\_\_\_\_

PREP. CHECKED \_\_\_\_\_



CROSS SECTIONS, COLLEGE ST



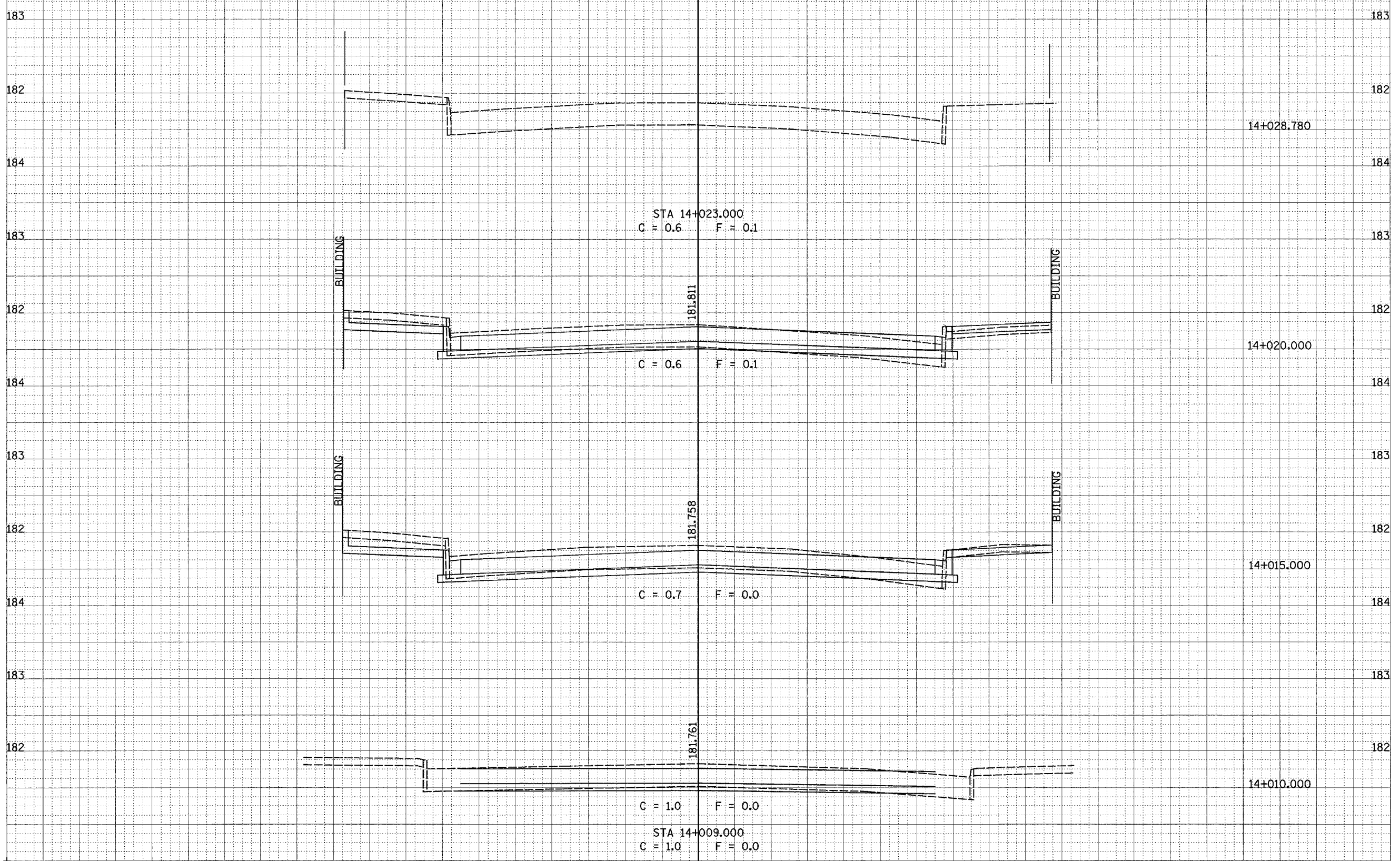


18 17 16 15 14 13 12 11 10 9 8 7 6 5 4 3 2 1 0 1 2 3 4 5 6 7 8 9 10 11 12 13 14 15 16 17 18

F.A.P. RTE.	SECTION	COUNTY	TOTAL SHEETS	SHEET NO.
729	34Z-4	VERMILION	285	271
STA. 14+010.000		TO STA. 14+028.780		
FED. ROAD DIST. NO.		ILLINOIS FED. AID PROJECT		
CONTRACT NO. 90632				

FINAL SURVEY BY DATE  
 SURVEYED BY \_\_\_\_\_ DATE \_\_\_\_\_  
 NOTE BOOK NO. \_\_\_\_\_  
 TEMPLATE AREA'S CHECKED \_\_\_\_\_  
 FIGS. CHECKED \_\_\_\_\_

ORIGINAL SURVEY BY DATE  
 SURVEYED BY \_\_\_\_\_ DATE \_\_\_\_\_  
 NOTE BOOK NO. \_\_\_\_\_  
 TEMPLATE AREA'S CHECKED \_\_\_\_\_  
 FIGS. CHECKED \_\_\_\_\_



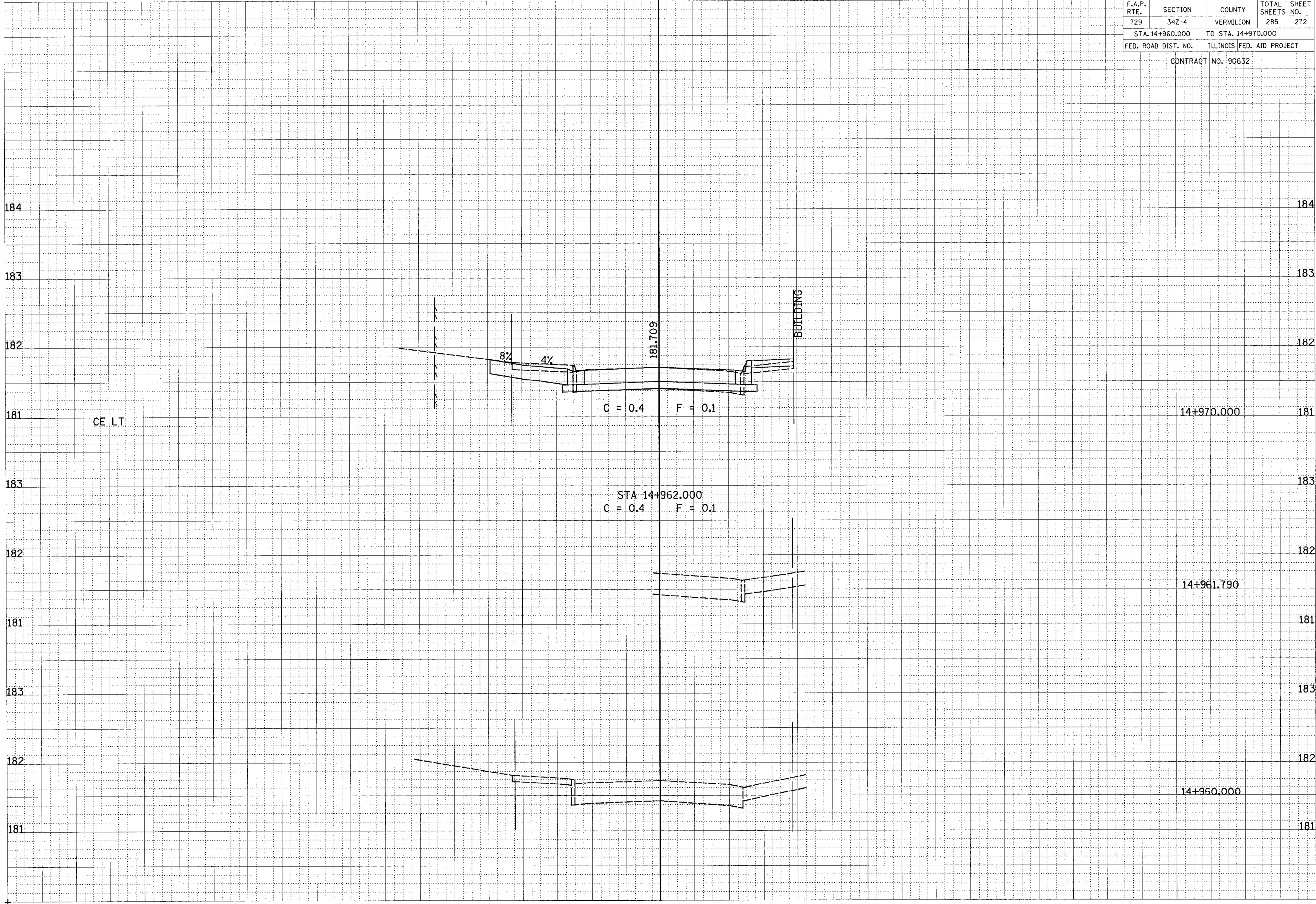
CROSS SECTIONS, McDONALD ST

18 17 16 15 14 13 12 11 10 9 8 7 6 5 4 3 2 1 0 1 2 3 4 5 6 7 8 9 10 11 12 13 14 15 16 17 18

F.A.P. RTE.	SECTION	COUNTY	TOTAL SHEETS	SHEET NO.
729	342-4	VERMILION	285	272
STA. 14+960.000		TO STA. 14+970.000		
FED. ROAD DIST. NO.		ILLINOIS FED. AID PROJECT		
CONTRACT NO. 90632				

FINAL SURVEY BY DATE  
 SURVEY NO. BY DATE  
 NOTE BOOK NO. BY DATE  
 AREAS CHECKED

ORIGINAL SURVEY BY DATE  
 SURVEY NO. BY DATE  
 NOTE BOOK NO. BY DATE  
 AREAS CHECKED



18 17 16 15 14 13 12 11 10 9 8 7 6 5 4 3 2 1 0 1 2 3 4 5 6 7 8 9 10 11 12 13 14 15 16 17 18

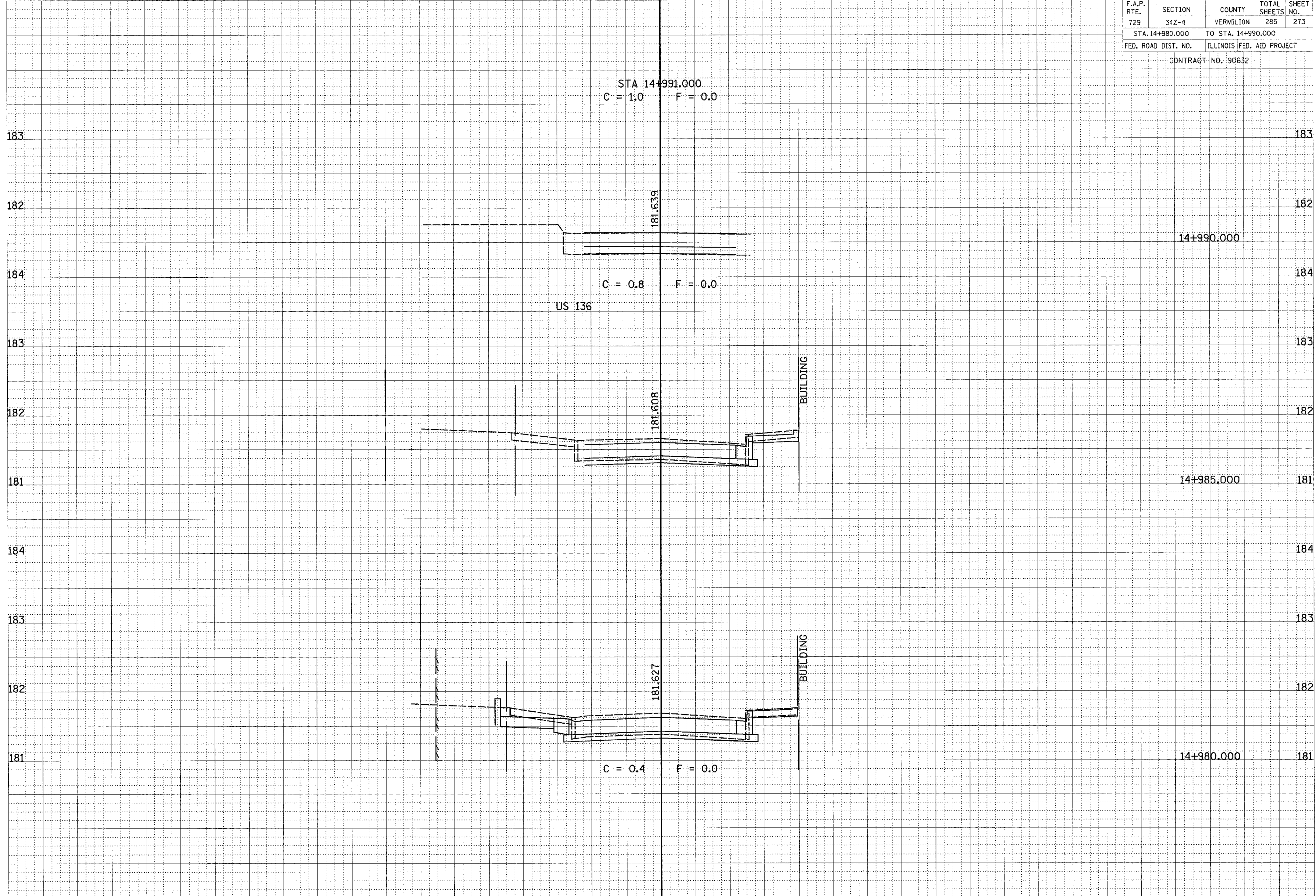
CROSS SECTIONS, QUINCY ST

18 17 16 15 14 13 12 11 10 9 8 7 6 5 4 3 2 1 0 1 2 3 4 5 6 7 8 9 10 11 12 13 14 15 16 17 18

F.A.P. RTE.	SECTION	COUNTY	TOTAL SHEETS	SHEET NO.
729	34Z-4	VERMILION	285	273
STA. 14+980.000 TO STA. 14+990.000				
FED. ROAD DIST. NO.		ILLINOIS FED. AID PROJECT		
CONTRACT NO. 90632				

FINAL SURVEY	DATE
BY	
REVISIONS	
NO.	
AREAS CHECKED	

ORIGINAL SURVEY	DATE
BY	
REVISIONS	
NO.	
AREAS CHECKED	



18 17 16 15 14 13 12 11 10 9 8 7 6 5 4 3 2 1 0 1 2 3 4 5 6 7 8 9 10 11 12 13 14 15 16 17 18

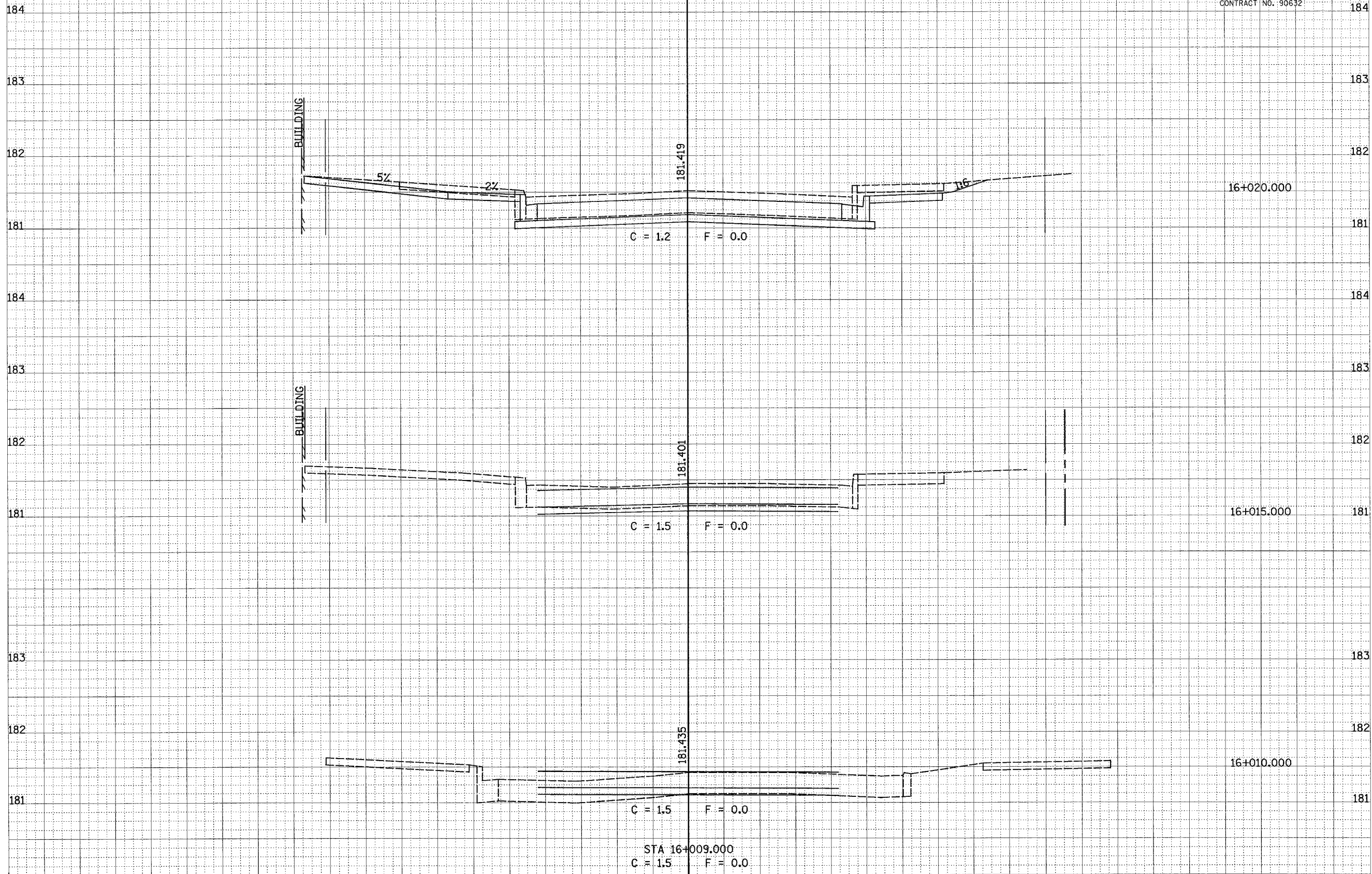


18 17 16 15 14 13 12 11 10 9 8 7 6 5 4 3 2 1 0 1 2 3 4 5 6 7 8 9 10 11 12 13 14 15 16 17 18

F.A.P. RTE.	SECTION	COUNTY	TOTAL SHEETS	SHEET NO.
729	342-4	VERMILION	285	274
STA. 16+010.000		TO STA. 16+020.000		
FED. ROAD DIST. NO.		ILLINOIS FED. AID PROJECT		
CONTRACT NO. 90632				184

DATE	BY
FINAL SURVEY	SURVEYED
NOTE BOOK	PLOTTED
NO.	TEMPLATE
	AREAS CHECKED

DATE	BY
ORIGINAL SURVEY	SURVEYED
NOTE BOOK	PLOTTED
NO.	TEMPLATE
	AREAS CHECKED



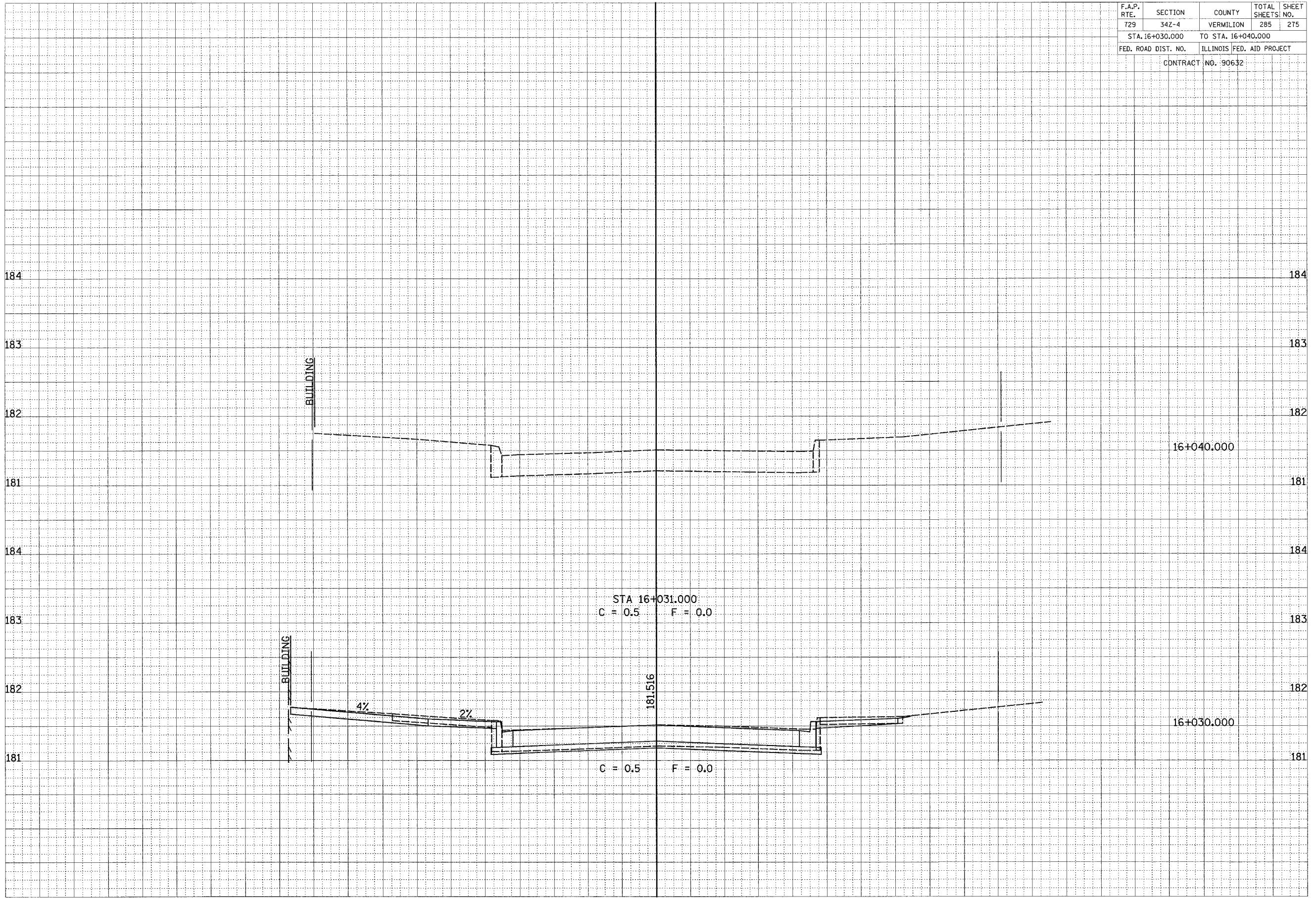
STA 16+009.000  
C = 1.5 F = 0.0

18 17 16 15 14 13 12 11 10 9 8 7 6 5 4 3 2 1 0 1 2 3 4 5 6 7 8 9 10 11 12 13 14 15 16 17 18

F.A.P. RTE.	SECTION	COUNTY	TOTAL SHEETS	SHEET NO.
729	34Z-4	VERMILION	285	275
STA. 16+030.000		TO STA. 16+040.000		
FED. ROAD DIST. NO.		ILLINOIS FED. AID PROJECT		
CONTRACT NO. 90632				

FINAL SURVEY	BY	DATE
REVISIONS		
NOTED		
PLOTTED		
TEMPLATE		
AREAS CHECKED		

ORIGINAL SURVEY	BY	DATE
REVISIONS		
NOTED		
PLOTTED		
TEMPLATE		
AREAS CHECKED		



18 17 16 15 14 13 12 11 10 9 8 7 6 5 4 3 2 1 0 1 2 3 4 5 6 7 8 9 10 11 12 13 14 15 16 17 18

F.A.P. RTE.	SECTION	COUNTY	TOTAL SHEETS	SHEET NO.
729	34Z-4	VERMILION	285	276
STA. 16+960.000		TO STA. 16+980.000		
FED. ROAD DIST. NO.		ILLINOIS FED. AID PROJECT		
CONTRACT NO.: 90632				

FINAL SURVEY BY DATE

SURVEYED SURVEY BY DATE

NOTE BOOK NO.

TEMPLATE NO.

AREAS CHECKED

AREAS CHECKED

ORIGINAL SURVEY BY DATE

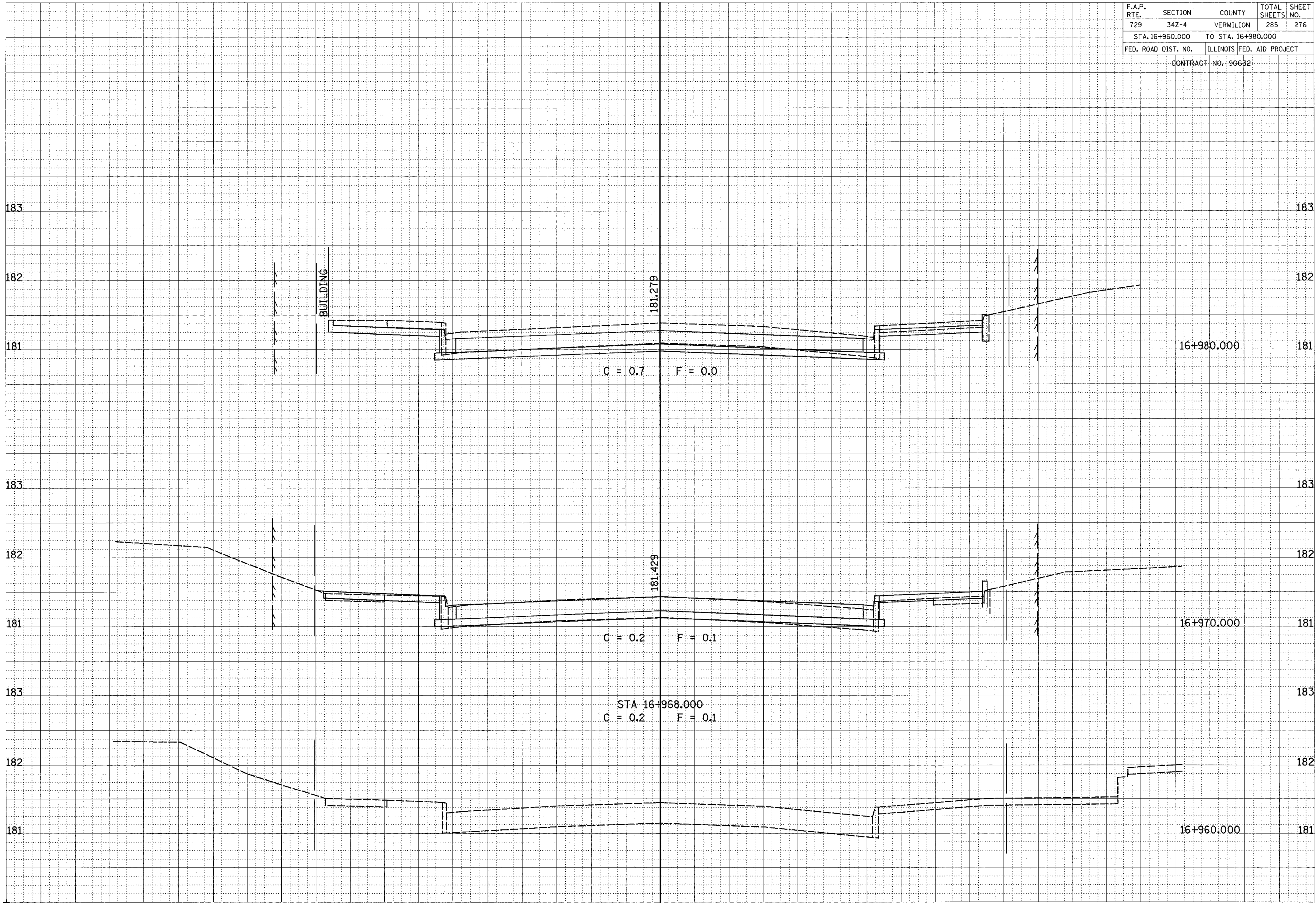
SURVEYED SURVEY BY DATE

NOTE BOOK NO.

TEMPLATE NO.

AREAS CHECKED

AREAS CHECKED



CROSS SECTIONS, PARK ST



18 17 16 15 14 13 12 11 10 9 8 7 6 5 4 3 2 1 0 1 2 3 4 5 6 7 8 9 10 11 12 13 14 15 16 17 18

F.A.P. RTE.	SECTION	COUNTY	TOTAL SHEETS	SHEET NO.
729	34Z-4	VERMILION	285	277
STA. 16+985.000		TO STA. 16+990.000		
FED. ROAD DIST. NO.		ILLINOIS FED. AID PROJECT		
CONTRACT NO. 90632				

FINAL SURVEY NOTE BOOK NO. \_\_\_\_\_

SURVEYED \_\_\_\_\_ BY \_\_\_\_\_ DATE \_\_\_\_\_

TEMPLATE \_\_\_\_\_

AREAS CHECKED \_\_\_\_\_

AREAS CHECKED \_\_\_\_\_

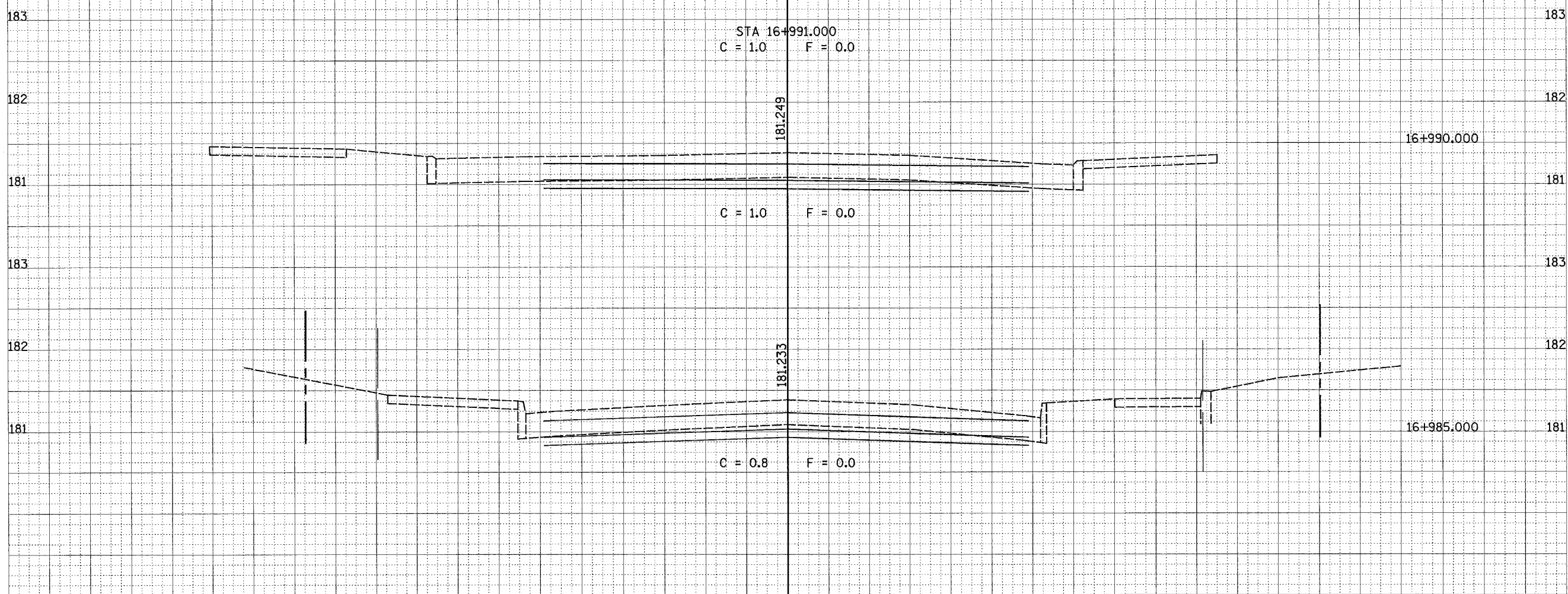
ORIGINAL SURVEY NOTE BOOK NO. \_\_\_\_\_

SURVEYED \_\_\_\_\_ BY \_\_\_\_\_ DATE \_\_\_\_\_

TEMPLATE \_\_\_\_\_

AREAS CHECKED \_\_\_\_\_

AREAS CHECKED \_\_\_\_\_



CROSS SECTIONS, PARK ST

18 17 16 15 14 13 12 11 10 9 8 7 6 5 4 3 2 1 0 1 2 3 4 5 6 7 8 9 10 11 12 13 14 15 16 17 18

F.A.P. RTE.	SECTION	COUNTY	TOTAL SHEETS	SHEET NO.
729	342-4	VERMILION	285	278
STA. 17+950.000		TO STA. 17+970.000		
FED. ROAD DIST. NO.		ILLINOIS FED. AID PROJECT		
CONTRACT NO. 90632				

FINAL SURVEY BY DATE

REVIEWED BY DATE

DESIGNED BY DATE

NOTED BY DATE

NO. \_\_\_\_\_

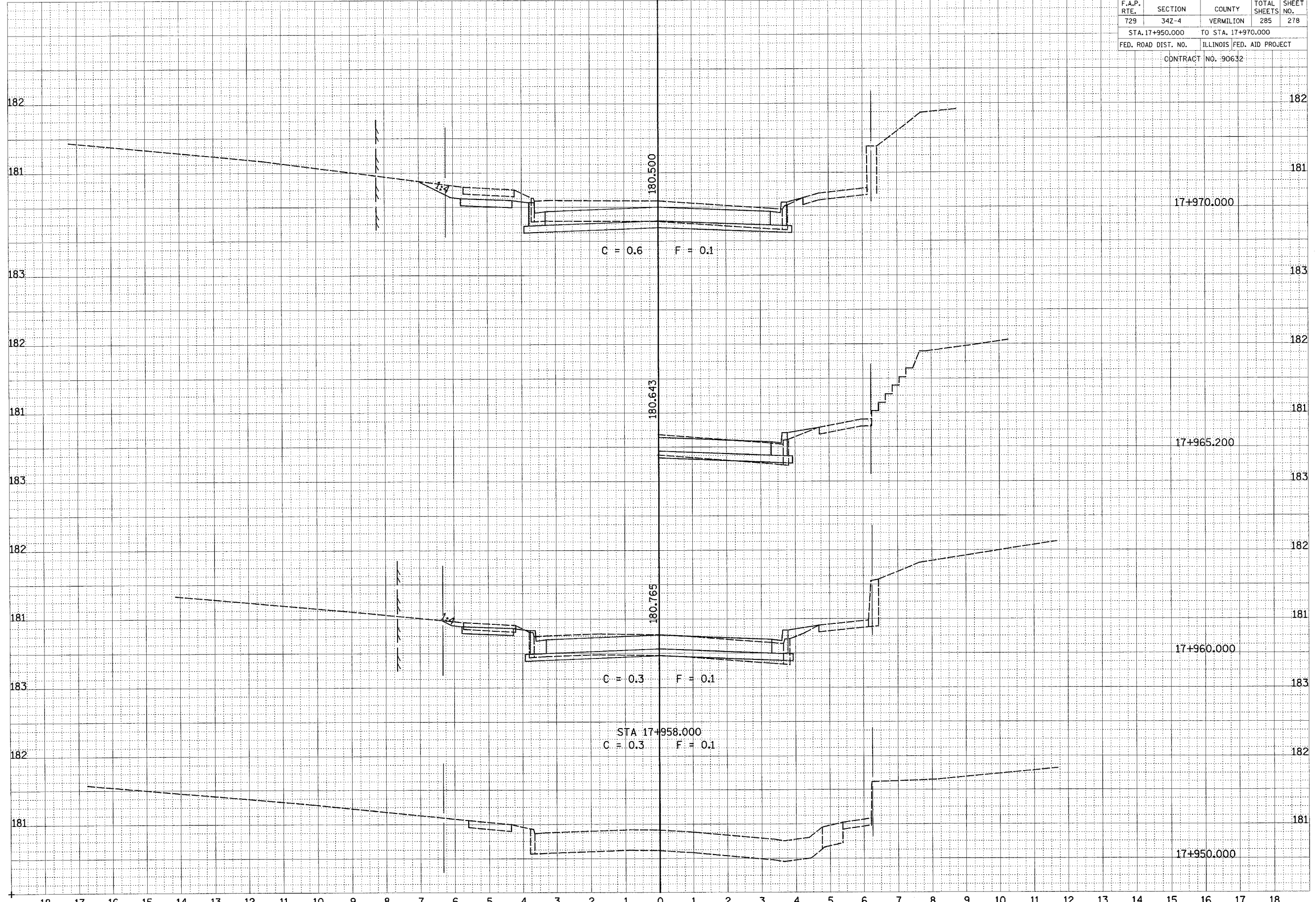
ORIGINAL SURVEY BY DATE

REVIEWED BY DATE

DESIGNED BY DATE

NOTED BY DATE

NO. \_\_\_\_\_



CROSS SECTIONS, ELIZABETH ST

18 17 16 15 14 13 12 11 10 9 8 7 6 5 4 3 2 1 0 1 2 3 4 5 6 7 8 9 10 11 12 13 14 15 16 17 18

18 17 16 15 14 13 12 11 10 9 8 7 6 5 4 3 2 1 0 1 2 3 4 5 6 7 8 9 10 11 12 13 14 15 16 17 18

F.A.P. RTE.	SECTION	COUNTY	TOTAL SHEETS	SHEET NO.
729	34Z-4	VERMILION	285	279
STA. 17+980.000		TO STA. 17+990.000		
FED. ROAD DIST. NO.		ILLINOIS FED. AID PROJECT		
CONTRACT NO. 90632				

FINAL SURVEY NOTE BOOK NO. \_\_\_\_\_

DATE \_\_\_\_\_

BY \_\_\_\_\_

SURVEYED \_\_\_\_\_

TEMPLATE \_\_\_\_\_

AREAS CHECKED \_\_\_\_\_

AREAS CHECKED \_\_\_\_\_

ORIGINAL SURVEY NOTE BOOK NO. \_\_\_\_\_

DATE \_\_\_\_\_

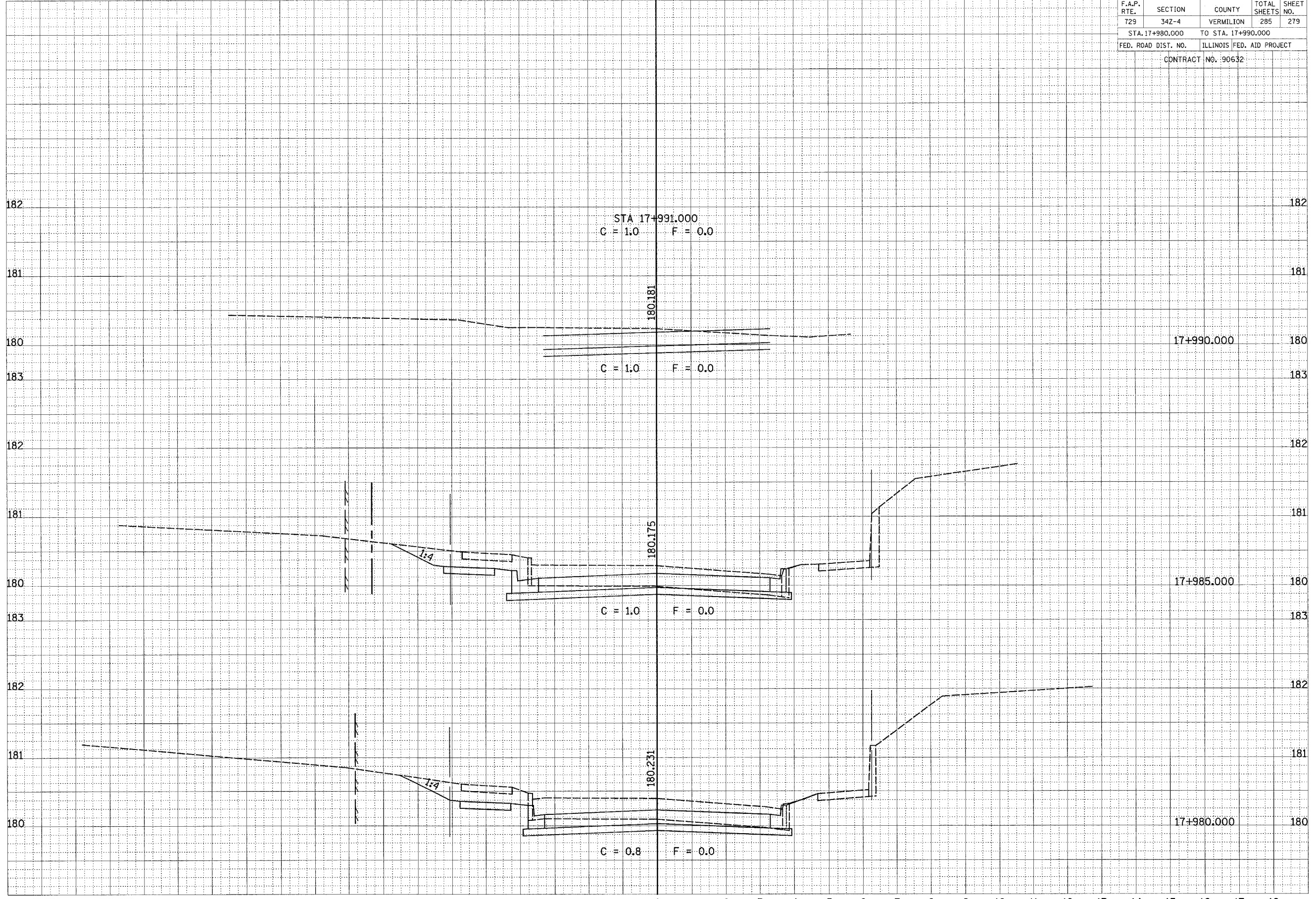
BY \_\_\_\_\_

SURVEYED \_\_\_\_\_

TEMPLATE \_\_\_\_\_

AREAS CHECKED \_\_\_\_\_

AREAS CHECKED \_\_\_\_\_



CROSS SECTIONS, ELIZABETH ST





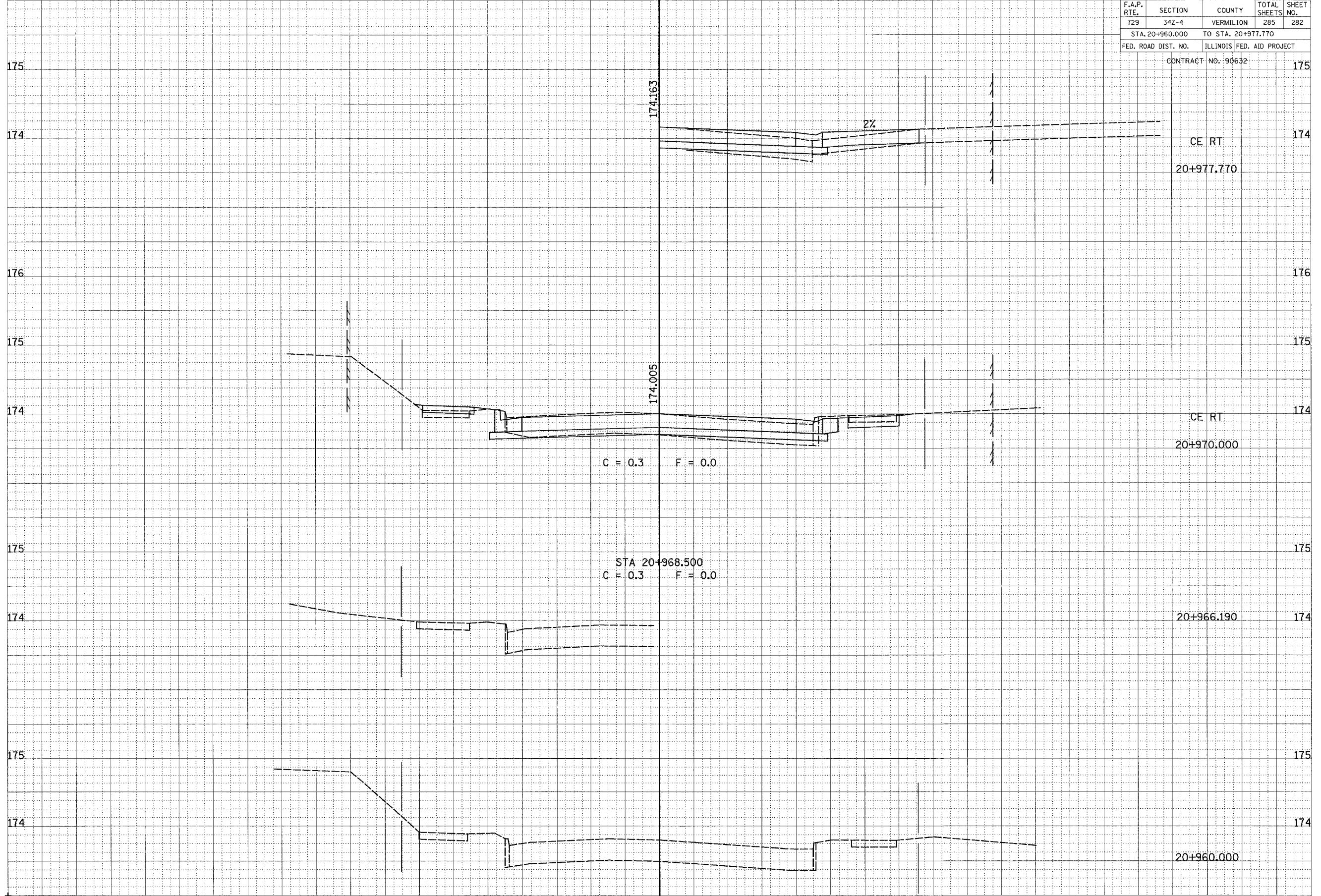


18 17 16 15 14 13 12 11 10 9 8 7 6 5 4 3 2 1 0 1 2 3 4 5 6 7 8 9 10 11 12 13 14 15 16 17 18

F.A.P. RTE.	SECTION	COUNTY	TOTAL SHEETS	SHEET NO.
729	34Z-4	VERMILION	285	282
STA. 20+960.000		TO STA. 20+977.770		
FED. ROAD DIST. NO.		ILLINOIS FED. AID PROJECT		
CONTRACT NO. 90632				175

FINAL SURVEY  
 NOTE BOOK NO. \_\_\_\_\_  
 DATE \_\_\_\_\_  
 BY \_\_\_\_\_  
 PLOTTED \_\_\_\_\_  
 TEMPLATE \_\_\_\_\_  
 AREAS CHECKED \_\_\_\_\_

ORIGINAL SURVEY  
 NOTE BOOK NO. \_\_\_\_\_  
 DATE \_\_\_\_\_  
 BY \_\_\_\_\_  
 PLOTTED \_\_\_\_\_  
 TEMPLATE \_\_\_\_\_  
 AREAS CHECKED \_\_\_\_\_



18 17 16 15 14 13 12 11 10 9 8 7 6 5 4 3 2 1 0 1 2 3 4 5 6 7 8 9 10 11 12 13 14 15 16 17 18

CROSS SECTIONS, S BUCHANAN ST



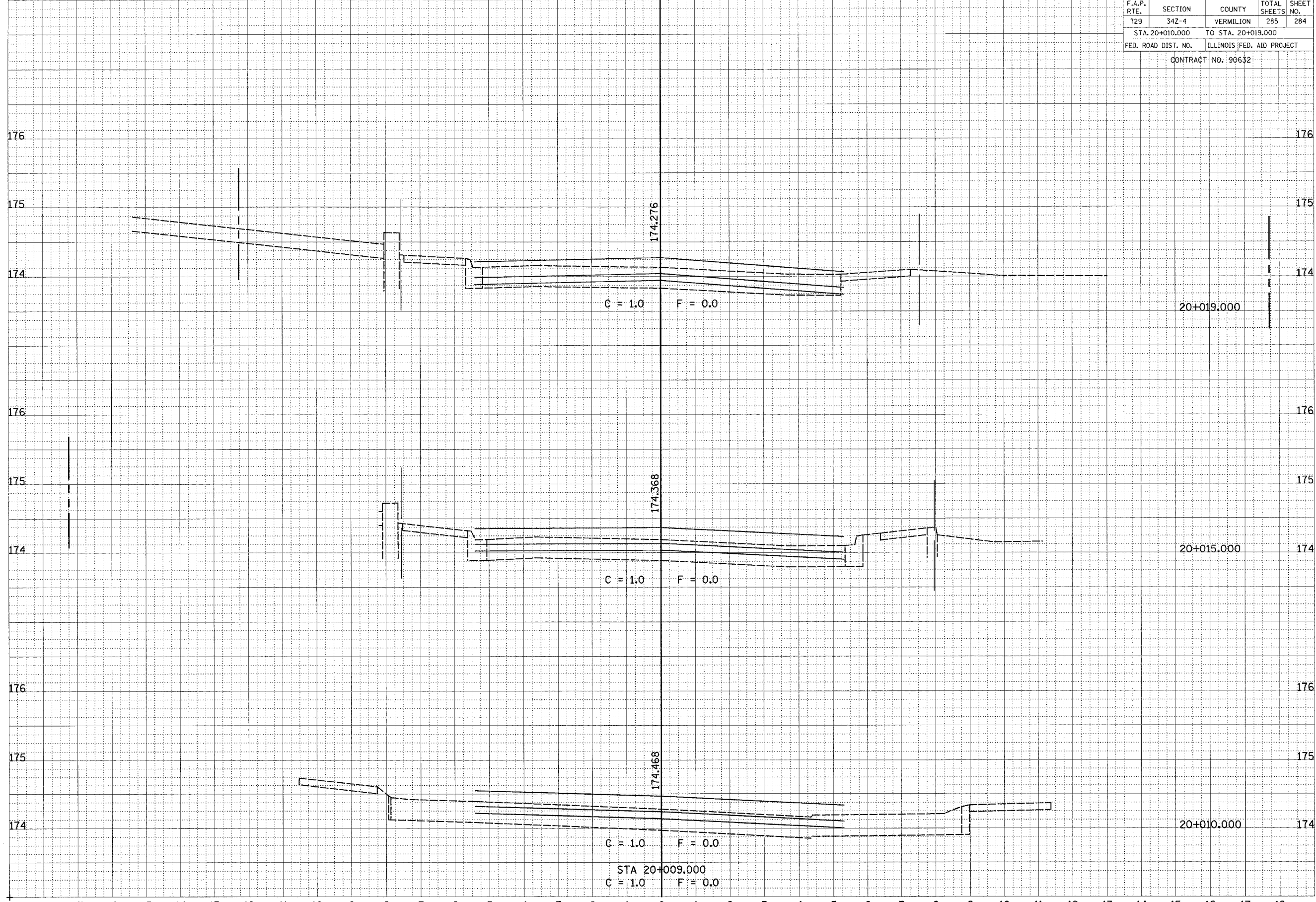


18 17 16 15 14 13 12 11 10 9 8 7 6 5 4 3 2 1 0 1 2 3 4 5 6 7 8 9 10 11 12 13 14 15 16 17 18

F.A.P. RTE.	SECTION	COUNTY	TOTAL SHEETS	SHEET NO.
729	34Z-4	VERMILION	285	284
STA. 20+010.000 TO STA. 20+019.000				
FED. ROAD DIST. NO.		ILLINOIS FED. AID PROJECT		
CONTRACT NO. 90632				

FINAL SURVEY BY DATE  
 SURVEY PLATTED  
 NOTE BOOK NO.  
 AREAS CHECKED

ORIGINAL SURVEY BY DATE  
 SURVEY PLATTED  
 NOTE BOOK NO.  
 AREAS CHECKED



C = 1.0 F = 0.0

20+019.000

C = 1.0 F = 0.0

20+015.000

C = 1.0 F = 0.0

20+010.000

STA 20+009.000  
 C = 1.0 F = 0.0

CROSS SECTIONS, N BUCHANAN ST

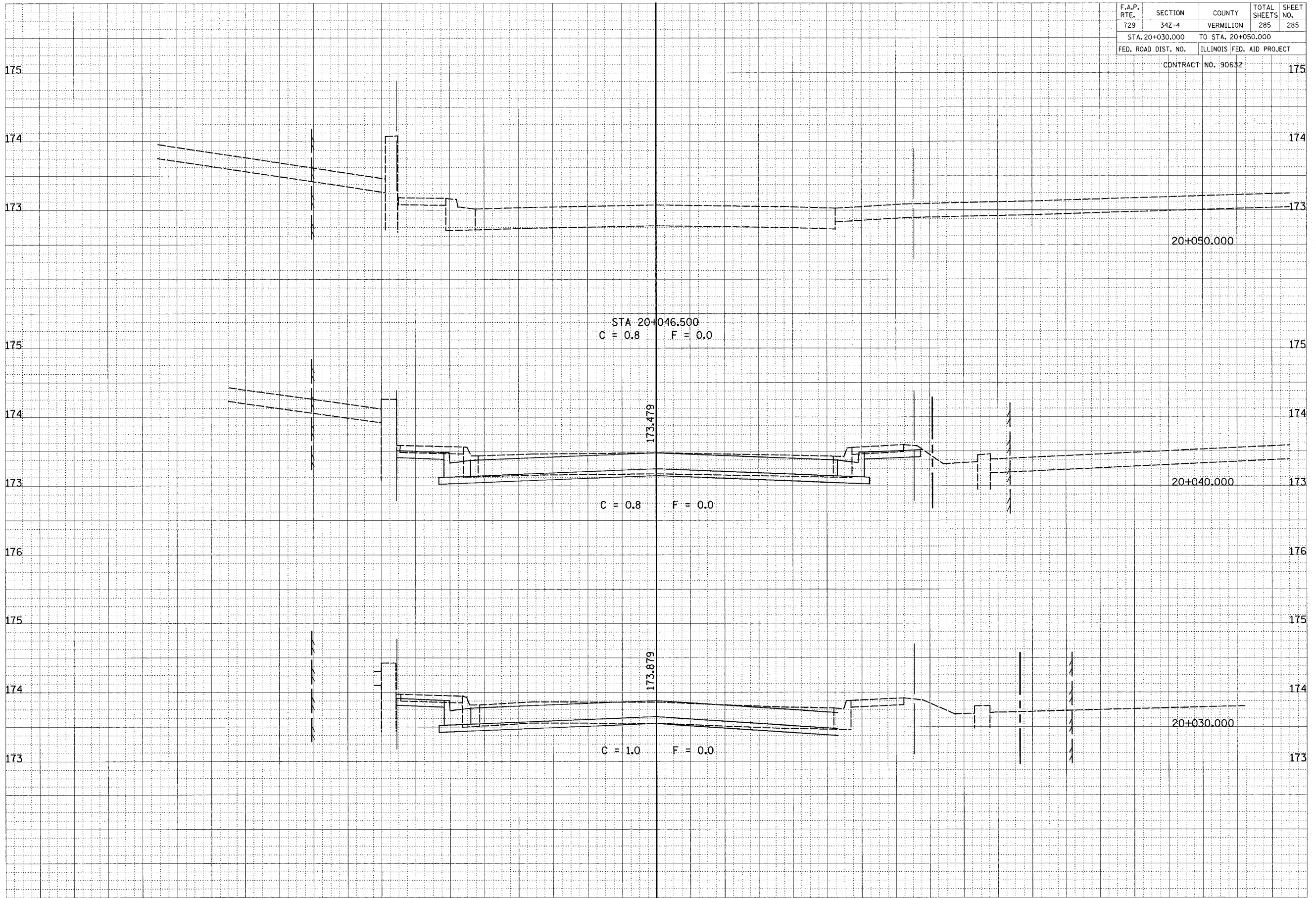
18 17 16 15 14 13 12 11 10 9 8 7 6 5 4 3 2 1 0 1 2 3 4 5 6 7 8 9 10 11 12 13 14 15 16 17 18

F.A.P. RTE.	SECTION	COUNTY	TOTAL SHEETS	SHEET NO.
729	34Z-4	VERMILION	285	285
STA. 20+030.000		TO STA. 20+050.000		
FED. ROAD DIST. NO.		ILLINOIS FED. AID PROJECT		

CONTRACT NO. 90632 175

FINAL SURVEY BY DATE  
 CHECKED BY DATE  
 ORIGINAL SURVEY BY DATE  
 NOTE BOOK NO.  
 TEMPLATE NO.  
 AREAS CHECKED

ORIGINAL SURVEY BY DATE  
 CHECKED BY DATE  
 ORIGINAL SURVEY BY DATE  
 NOTE BOOK NO.  
 TEMPLATE NO.  
 AREAS CHECKED



CROSS SECTIONS, N BUCHANAN ST