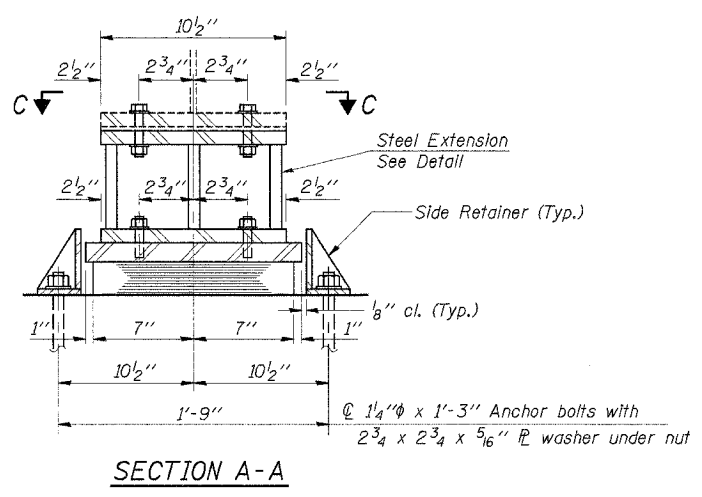


ELEVATION AT PIER 2

TYPE I ELASTOMERIC EXP. BRG.
(6 Total Req'd.)

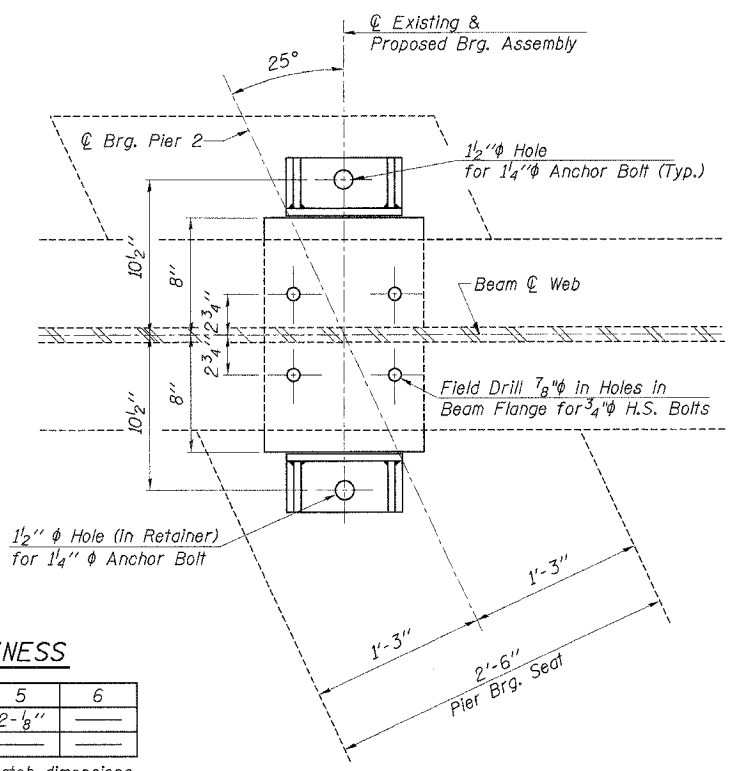


SECTION A-A

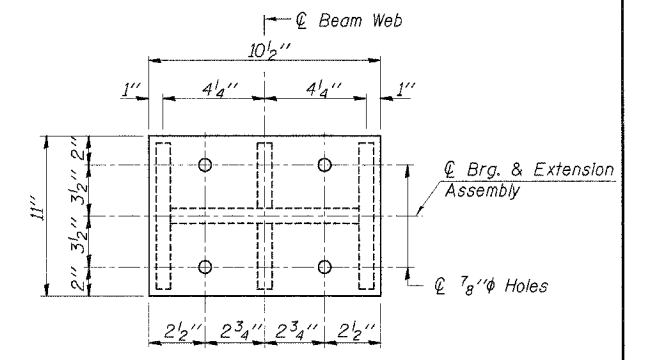
SHIM & FILL PLATE THICKNESS

Beam	1	2	3	4	5	6
Shim P. (s)	2-1/8"	2-1/8"	2-1/8"	2-1/8"	2-1/8"	---
Fill P.	1/4"	---	3/8"	5/8"	---	---

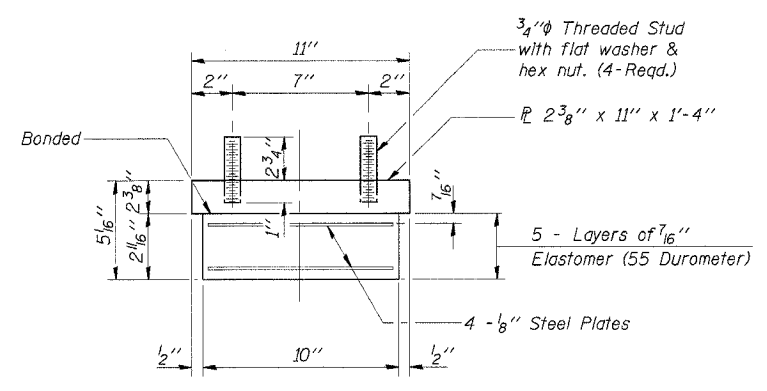
Note: Dimensions of Fill & Shim Plates shall match dimensions of Top Plate in Steel Extension Assembly. (Shim plates shown are plates to be supplied with each bearing in addition to note on sheet 2 of 15.)



SECTION C-C



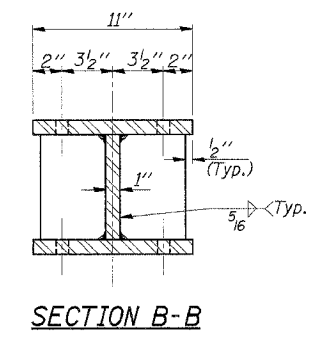
PLAN TOP AND BOTTOM PLATE



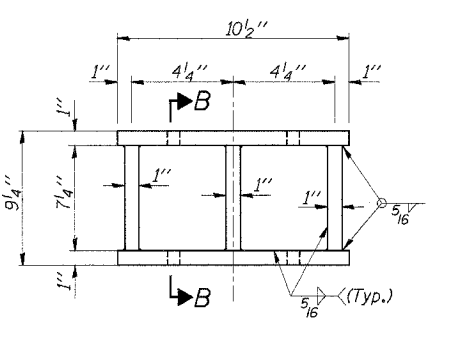
BEARING ASSEMBLY

Note: Shim plates shall not be placed under Bearing Assembly.

Note: Diaphragm removal and replacement may be required to facilitate drilling holes. Cost is included in "Furnishing and Erecting Structural Steel". New 3/4 inch H.S. Bolts shall be used for re-connection of diaphragms to connection angles. New steel extensions, side retainers, connection bolts, adjusting shims, and anchor bolts are included in "Furnishing and Erecting Structural Steel". See sheet 13 for Anchor Bolt installation. Prior to ordering any material, the Contractor shall verify in the field all bearing height and shim thickness dimensions. Minimum jack capacity = 14K = 7T. The Contractor shall submit, for approval by the Engineer, plans for lifting existing beams and installing new bearings prior to commencing any related work. The bottom flange of the existing beams shall be cleaned as specified for Structural Steel.



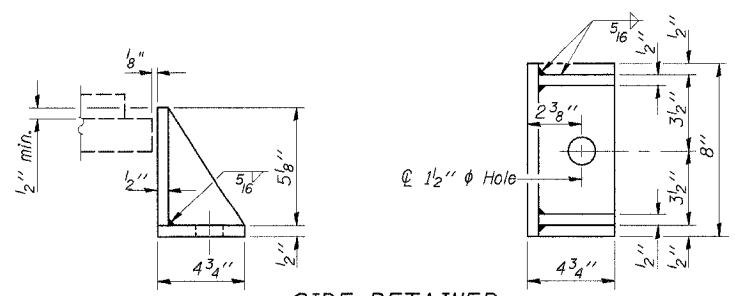
SECTION B-B



STEEL EXTENSION DETAIL
(6 - Req'd. - Pier 2)

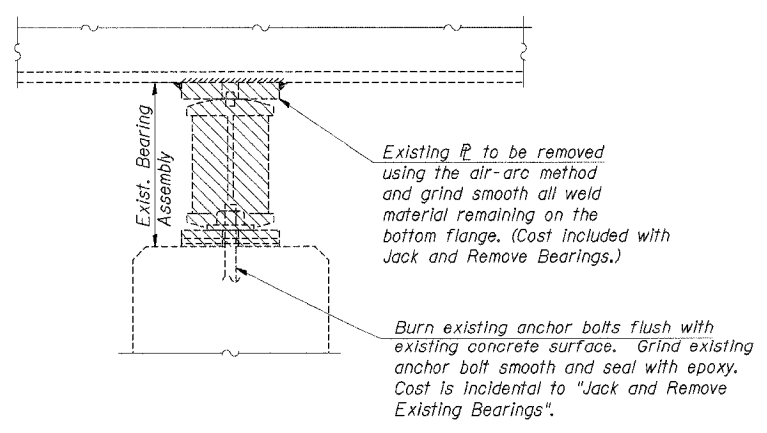
BILL OF MATERIAL

Item	Unit	Total
Elastomeric Bearing Assembly Type I	Each	6
Jack & Remove Existing Bearings	Each	6



SIDE RETAINER

Equivalent rolled angle with stiffeners will be allowed in lieu of welded plates. Weight included with Structural Steel. No. Req'd. = 12



EXISTING BEARING REMOVAL DETAIL
(@ Pier 2)

REHABILITATION PROJECT

DESIGNED	A.R.K.
CHECKED	S.F.M.
DRAWN	S.A.P.
CHECKED	F.J.S.

PIER 2 BEARING DETAILS

C.H. 16 OVER LAKE FORK
SECTION 04-00209-01-BR
PIATT COUNTY
STATION 29+55

4440 ASH GROVE SPRINGFIELD, IL 62711 (217) 793-8600 oasinc@famvid.com	OZYURT AND STONE, INC. CONSULTING ENGINEERS	JOB NO.: 0418 FILE: 0418BRG2.DGN DATE: 05-23-05
--	---	---