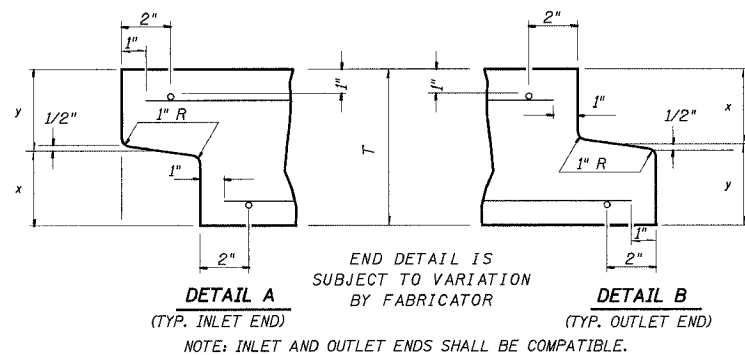


DETAIL OF PRECAST CONCRETE BOX CULVERT M259M

AASHTO DESIGNATION M259M
(ASTM DESIGNATION C-789M)
DESIGN LOADING = MS18



CULVERT SIZE	DIMENSIONS			
	T (INCHES)	A FT-IN	B FT-IN	C (INCHES)
2x2	4	2-8	2-8	4
3x2	4	3-8	2-8	4
3x3	4	3-8	3-8	4
4x2	5	4-10	2-10	5
4x3	5	4-10	3-10	5
4x4	5	4-10	4-10	5
5x2	6	6-0	3-0	6
5x3	6	6-0	4-0	6
5x4	6	6-0	5-0	6
5x5	6	6-0	6-0	6
6x2	7	7-2	3-2	7
6x3	7	7-2	4-2	7
6x4	7	7-2	5-2	7
6x5	7	7-2	6-2	7
6x6	7	7-2	7-2	7
7x4	8	8-4	5-4	8
7x5	8	8-4	6-4	8
7x6	8	8-4	7-4	8
7x7	8	8-4	8-4	8
8x4	8	9-4	5-4	8
8x5	8	9-4	6-4	8
8x6	8	9-4	7-4	8
8x7	8	9-4	8-4	8
8x8	8	9-4	9-4	8
9x5	9	10-6	6-6	9
9x6	9	10-6	7-6	9
9x7	9	10-6	8-6	9
9x8	9	10-6	9-6	9
9x9	9	10-6	10-6	9
10x5	10	11-8	6-8	10
10x6	10	11-8	7-8	10
10x7	10	11-8	8-8	10
10x8	10	11-8	9-8	10
10x9	10	11-8	10-8	10
10x10	10	11-8	11-8	10
11x4	11	12-10	5-10	11
11x6	11	12-10	7-10	11
11x8	11	12-10	9-10	11
11x10	11	12-10	11-10	11
11x11	11	12-10	12-10	11
12x4	12	14-0	6-0	12
12x6	12	14-0	8-0	12
12x8	12	14-0	10-0	12
12x10	12	14-0	12-0	12
12x12	12	14-0	14-0	12

GENERAL NOTES

SHOP PLANS FOR THE REINFORCEMENT SHALL BE SUBMITTED IN ACCORDANCE WITH THE REQUIREMENTS OF ARTICLE 504.04(d) OF THE STANDARD SPECIFICATIONS.

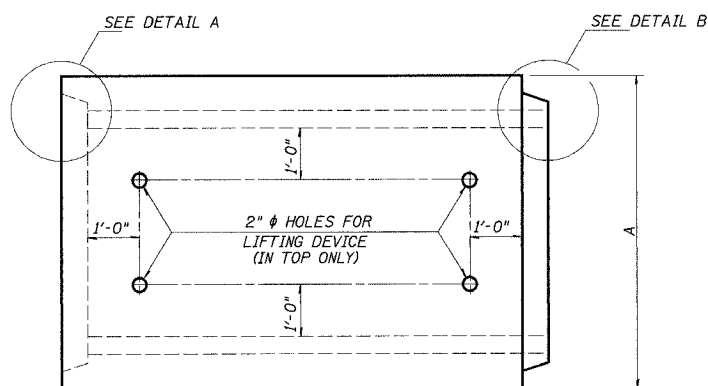
MINIMUM CONCRETE STRENGTH SHALL BE 5000 PSI AFTER 28 DAYS.

THE JOINTS OF THE PRECAST BOX SECTIONS SHALL BE SEALED IN ACCORDANCE WITH ARTICLE 542.04(d) OF THE STANDARD SPECIFICATIONS FOR ROAD AND BRIDGE CONSTRUCTION.

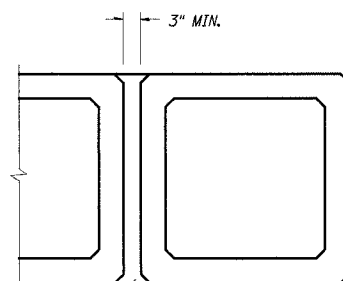
THE TERMS A_{SI} , A_{S2} , AND A_{S4} DENOTE THE REQUIRED STEEL AREAS FOR REINFORCEMENT AS SPECIFIED IN ASSHTO M259M. REINFORCEMENT SHALL BE WELDED WIRE FABRIC CONFORMING TO ASSHTO M55M.

LIFTING HOLES SHALL BE FILLED WITH CONCRETE PLUGS AND MASTIC AFTER THE BOX SECTIONS ARE IN PLACE.

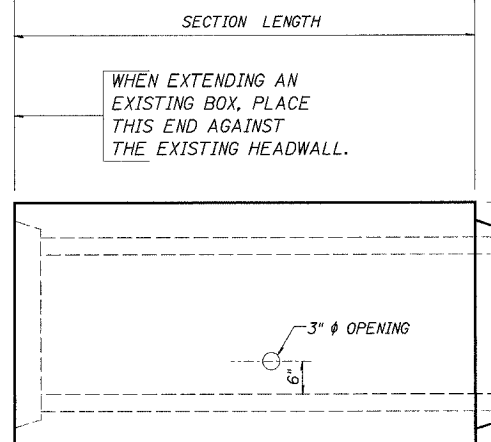
DRAINAGE OPENINGS SHALL BE PROVIDED IN ACCORDANCE WITH ARTICLE 503.12 OF THE STANDARD SPECIFICATIONS. LOCATION AND SPACING OF THE OPENINGS SHALL BE SHOWN ON THE SHOP DRAWINGS.



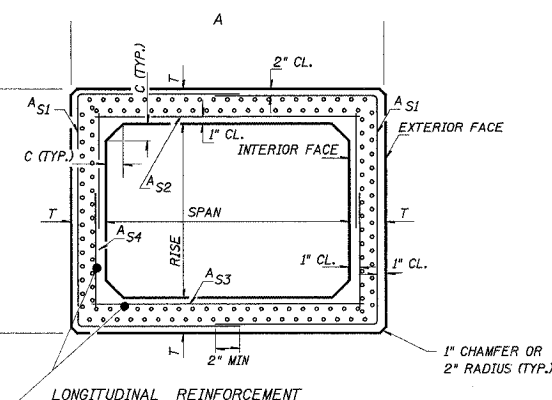
PLAN
LOCATION OF LIFTING HOLES MAY BE VARIED AS NEEDED TO CLEAR REINFORCEMENT.



MULTIPLE UNIT PLACEMENT



ELEVATION



CROSS SECTION

REVISIONS	
NAME	DATE

ILLINOIS DEPARTMENT OF TRANSPORTATION
**DETAIL OF PRECAST
CONCRETE BOX
CULVERT SECTION**
F.A.P. 750 (IL. RTE. 185)
SECTION 112,113 - FAYETTE CO.

SCALE: _____ DRAWN BY: CRO
DATE: JULY 22, 2005 CHECKED BY: RCY

DATE: _____ BY: _____
SUBMITTED: _____ PLOTTED: _____
NOTE BOOK: _____ RT. OF WAY CHECKED: _____
NO. _____ CADD FILE NAME: _____

DATE: _____ BY: _____
SUBMITTED: _____ PLOTTED: _____
NOTE BOOK: _____ RT. OF WAY CHECKED: _____
NO. _____ CADD FILE NAME: _____

J:\2003\030045\0002\civil\phase 2\kdg\dgn\p2.750-detail.sheets.dgn 8/2/2005 9:05:36 AM