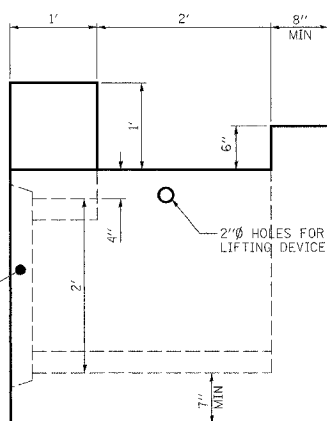


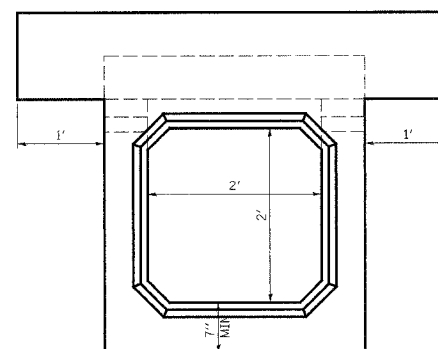
F.A.P. RTE.	SECTION	COUNTY	TOTAL SHEETS	SHEET NO.
750	(112,113) Y, WRS	FAYETTE	178	38
STA.	TO STA.			
FED. ROAD DIST. NO. 7	ILLINOIS	FED. AID PROJECT		

CONTRACT NO. 94927

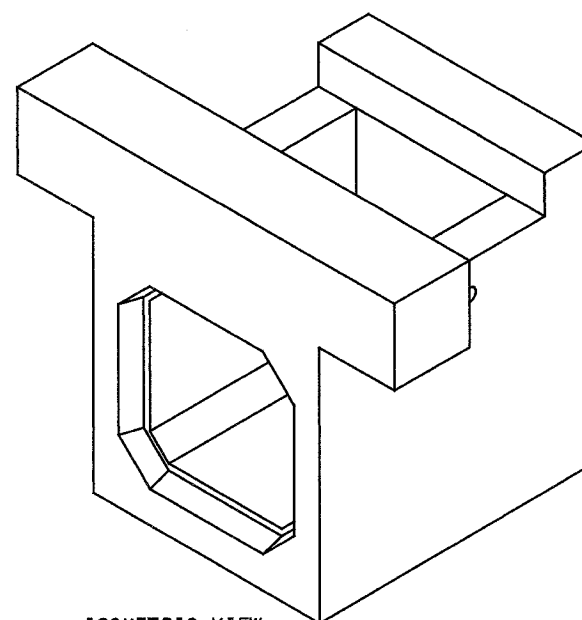
## DETAIL OF PRECAST CONCRETE BOX CULVERT DROP BOX



SIDE VIEW

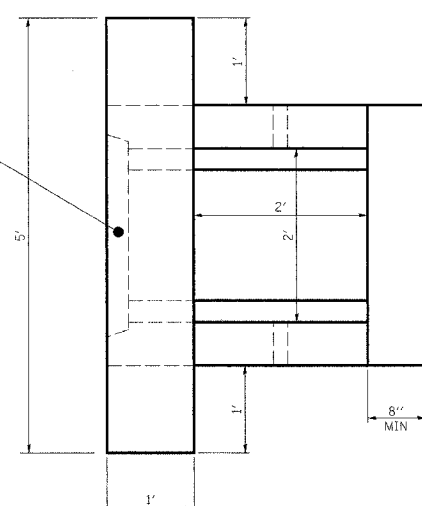


END VIEW



ISOMETRIC VIEW

END CONNECTION TO FIT  
PRECAST BOX CULVERT



PLAN

**GENERAL NOTES**

SHOP PLANS FOR THE REINFORCEMENT SHALL BE SUBMITTED IN ACCORDANCE WITH THE REQUIREMENTS OF ARTICLE 504.04(a) OF THE STANDARD SPECIFICATIONS.

MINIMUM CONCRETE STRENGTH SHALL BE 5000 PSI AFTER 28 DAYS.

THE JOINTS OF THE PRECAST BOX SECTIONS SHALL BE SEALED IN ACCORDANCE WITH ARTICLE 542.04(d) OF THE STANDARD SPECIFICATIONS FOR ROAD AND BRIDGE CONSTRUCTION.

LIFTING HOLES SHALL BE FILLED WITH CONCRETE PLUGS AND MASTIC AFTER THE END SECTIONS ARE IN PLACE.

PLAN	SUBMITTED	DATE
	BY	
	PLOTTED	
	BY	
	NOTE BOOK	
	NO.	
	FILE NAME	

PLAN	SUBMITTED	DATE
	BY	
	PLOTTED	
	BY	
	NOTE BOOK	
	NO.	
	FILE NAME	

REVISIONS	
NAME	DATE

ILLINOIS DEPARTMENT OF TRANSPORTATION  
 DETAILS OF PRECAST  
 CONCRETE BOX CULVERT  
 DROP BOX  
 F.A.P. 750 (IL. RTE. 185)  
 SECTION 112,113 - FAYETTE CO.

SCALE: DRAWN BY CRO  
 DATE JULY 22, 2005 CHECKED BY RCY