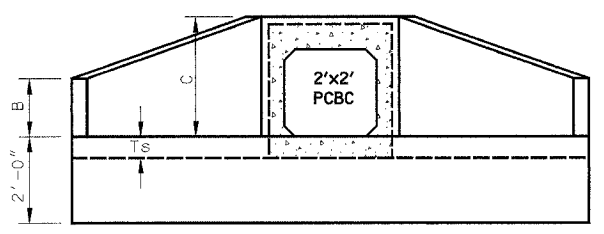
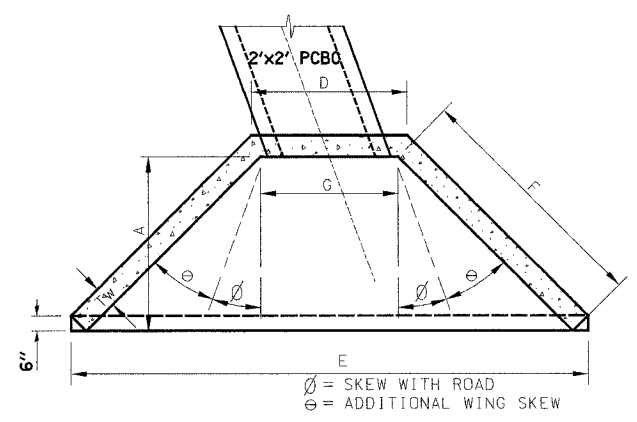


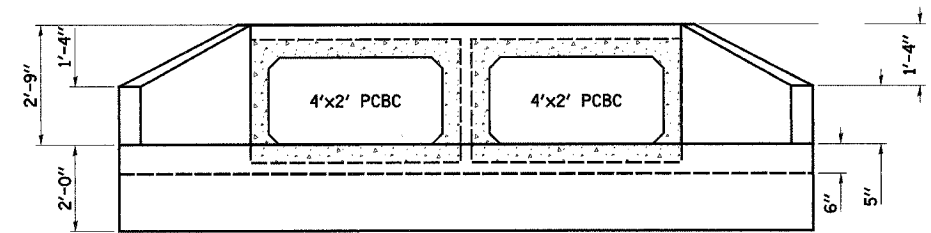
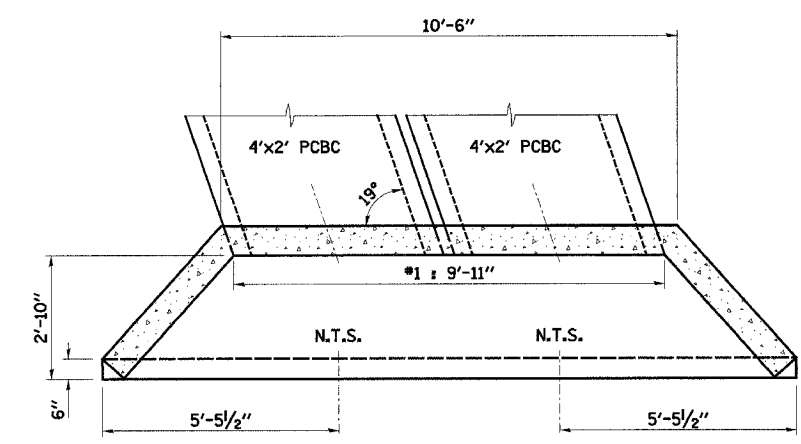
F.A.P. RTE.	SECTION	COUNTY	TOTAL SHEETS	SHEET NO.
750	(112,113) Y, WRS	FAYETTE	178	40
STA.		TO STA.		
FED. ROAD DIST. NO. 7		ILLINOIS FED. AID PROJECT		

CONTRACT NO. 94927

PLAN	DATE
SUBMITTED	BY
PLotted	
NOTE BOOK	
NO.	



STRUCTURE #12, 15, 21, 23, 25 DETAIL
SCALE: 1/2"=1'-0"



STRUCTURE #4 DETAIL
SCALE: 1/2"=1'-0"

PLAN	DATE
SUBMITTED	BY
PLotted	
NOTE BOOK	
NO.	

CAST IN PLACE REINFORCED CONCRETE END SECTION, 24"															
EACH															
CULVERT NUMBER	STATION	SIDE	T _w (FT)	T _s (FT)	∅	θ	A (FT)	B (FT)	C (FT)	D (FT)	E (FT)	F (FT)	G (FT)	*CONCRETE (CY)	*STEEL (LB)
12	299+50.10	RT.	0.5	0.5	29	16	4.75	1.33	3	4.00	13.67	6.67	3.50	1.90	70
12	299+50.10	LT.	0.5	0.5	29	16	4.75	1.33	3	4.00	13.67	6.67	3.50	1.90	70
15	326+99.03	RT.	0.5	0.5	43	2	4.75	1.33	3	4.58	14.33	6.67	4.08	1.90	70
15	326+99.03	LT.	0.5	0.5	43	2	4.75	1.33	3	4.58	14.33	6.67	4.08	1.90	70
21	419+21.85	LT.	0.5	0.5	47	3	4.92	1.33	3	4.83	16.83	7.58	4.33	2.20	80
23	427+48.28	LT.	0.5	0.5	29	16	4.75	1.33	3	4.00	13.67	6.67	3.50	1.90	70
25	430+59.30	LT.	0.5	0.5	40	5	4.75	1.33	3	4.42	14.17	6.67	3.92	1.90	70
TOTALS														13.60	500

* INFORMATION ONLY

NOTES:
 CAST-IN-PLACE REINFORCED CONCRETE END SECTION SHALL BE CONSTRUCTED AS SHOWN TO PROVIDE OPENINGS TO ACCOMMODATE 2'X2' BOXES.
 C/J DENOTES CONSTRUCTION JOINT
 FOR ADDITIONAL DETAIL REFER TO HIGHWAY STANDARDS: 542101 AND 542106

REVISIONS	
NAME	DATE

ILLINOIS DEPARTMENT OF TRANSPORTATION
 HEADWALL AND WINGWALL DETAILS
 F.A.P. 750 (IL. RTE. 185)
 SECTION 112,113 - FAYETTE CO.

SCALE: DATE JULY 22, 2005 DRAWN BY CRO CHECKED BY RCY