

ROUTE NO.	SECTION	COUNTY	TOTAL SHEETS	SHEET NO.
S&L F.A.	04-0002-00-05	EFFINGHAM	5	2
FED. ROAD DIST. NO. 7	ILLINOIS	FED. AID PROJECT- M-502095		
CONTRACT NO. 9544				

DRAINAGE STRUCTURE SCHEDULE

No.	LOCATION	MANHOLE REMOVAL	MANHOLE TO BE FILLED	MANHOLE TYPE A, 6'	MANHOLE TYPE A, 5'	MANHOLE TYPE A, 5'	TEES AND FITTINGS 36"x36"x15"	COLLAR	LID OR GRATE ELEVATION	(IN) INVERT	(OUT) INVERT	REMARKS
1	0' Rt. Sta 10+00.00	1							590.45	586.75(W,S)	586.29(N)	587.25(E)
2	0.34' Rt. Sta 10+48.39											
3	0' Rt. Sta 12+20.31								591.35	584.83(S)	584.63(N)	
4	0' Rt. Sta 12+59.12								594.12	584.51(SW)	584.51(N)	586.60(E)
5	12.33' Rt. Sta 12+55.01		1									
6	0' Rt. Sta 12+65.78											SEAL CASING
7	0' Rt. Sta 13+51.43											SEAL CASING
8	0' Rt. Sta 13+91.33								592.98	584.11(S)	584.11(N)	586.64(W), 586.59(SE)
9	8.85' Lt. Sta 13+93.79	1										
10	19.56' Lt. Sta 13+92.42									586.84(E)		OPEN PIPE
11	0' Rt. Sta 14+31.00											SEAL CASING
12	0' Rt. Sta 15+95.33											SEAL CASING
13	0' Rt. Sta 15+98.83											
14A	22.27' Rt. Sta 16+42.95								593.95	583.49(S)	583.49(NW)	588.77(W)
14B	21.39' Rt. Sta 16+47.96								593.95	583.35(SW)	583.35(NW)	SEAL CASING
14C	0.61' Rt. Sta 17+66.26											SEAL CASING
15	0' Rt. Sta 17+69.70	1							591.85	582.98(S)	582.98(N)	586.80(NE), 586.65(SW), 586.95(SE)
16	4.30' Rt. Sta 17+82.52								591.96		587.96(W)	EXISTING INLET
17	0' Rt. Sta 19+58.26									582.98(S)	582.98(N)	583.29(E)
18	5.44' Rt. Sta 19+58.26								589.41	584.91(W)	584.91(N)	EXISTING INLET
19	0' Rt. Sta 21+36.96	1							588.75	581.88(S)	581.88(N)	584.50(E)
20	6.47' Rt. Sta 21+37.60								587.90	584.60(W)	584.60(N)	EXISTING INLET
21	0' Rt. Sta 25+18.38									580.74(S)	580.74(N)	581.61(E)
22	6.21' Rt. Sta 25+18.38								586.22		582.72(W)	EXISTING INLET
23	0' Rt. Sta 25+22.54										590.72(N)	4' SPAN X 3' RISE BOX
24	0' Rt. Sta 22+55.00								581.52(S)	581.52(N)		SEAL CASING(COLLAR)
25	0' Rt. Sta 23+55.00								581.23(S)	581.23(N)		SEAL CASING(COLLAR)
TOTALS		5	1	2	1	5	2	1				

DRAINAGE PIPE SCHEDULE

	STORM SEWER RUBBER GASKET CLASS A, TYPE 2, 15"	STORM SEWER RUBBER GASKET CLASS A, TYPE 2, 36"	STORM SEWER DUCTILE IRON PIPE, THICKNESS CLASS 52 DIAMETER 36"	STEEL CASING 48" DIAMETER	REMOVE EXISTING STORM SEWER	STORM SEWER TO BE FILLED	SLOPE	TRENCH BACKFILL
	FOOT	FOOT	FOOT	FOOT	FOOT	FOOT (CY)		CU YD
1-3			214			214	-0.30%	35
3-4			34				-0.30%	
4-8				127			-0.30%	
6-7				86			-0.30%	
3-5					35			
5-4					12			
5-9						135 (16)		
10-9					10			
9-8					8			
8-10	18						-1.00%	
8-13				203			-0.30%	
11-12				165			-0.30%	
9-14						238 (27)		
13-14A		41					-0.30%	
14A-15			123	120			-0.30%	
15-17			183		183		-0.30%	
17-19			173		173		-0.30%	
19-24			120					
25-21		162						
20-19	3						-1.54%	5
18-17	4				4		-29.79%	5
22-21	4				4		-17.88%	5
21-23								10
24-25			96	94				
TOTAL	29	927	549	465	643	373 (43)		60

CONNECTION TO EXISTING STORM SEWER & STRUCTURE

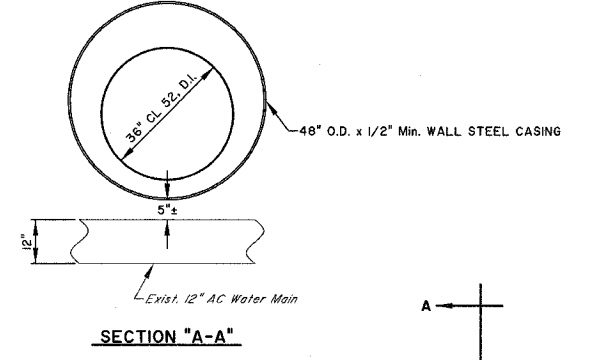
No.	LOCATION	24" RCCP CONNECTION	15" RCCP CONNECTION	4x3 BOX
1	0' Rt. Sta 10+00.00	2	1	
4	0' Rt. Sta 12+59.12			1
8	0' Rt. Sta 13+91.33	1		
15	0' Rt. Sta 17+69.70			3
18	5.44' Rt. Sta 19+58.26			1
20	6.47' Rt. Sta 21+37.60			1
22	6.21' Rt. Sta 25+18.38			1
23	ORT. 25+22.54			1
TOTAL		3	8	1

PAVEMENT REMOVAL & REPLACEMENT

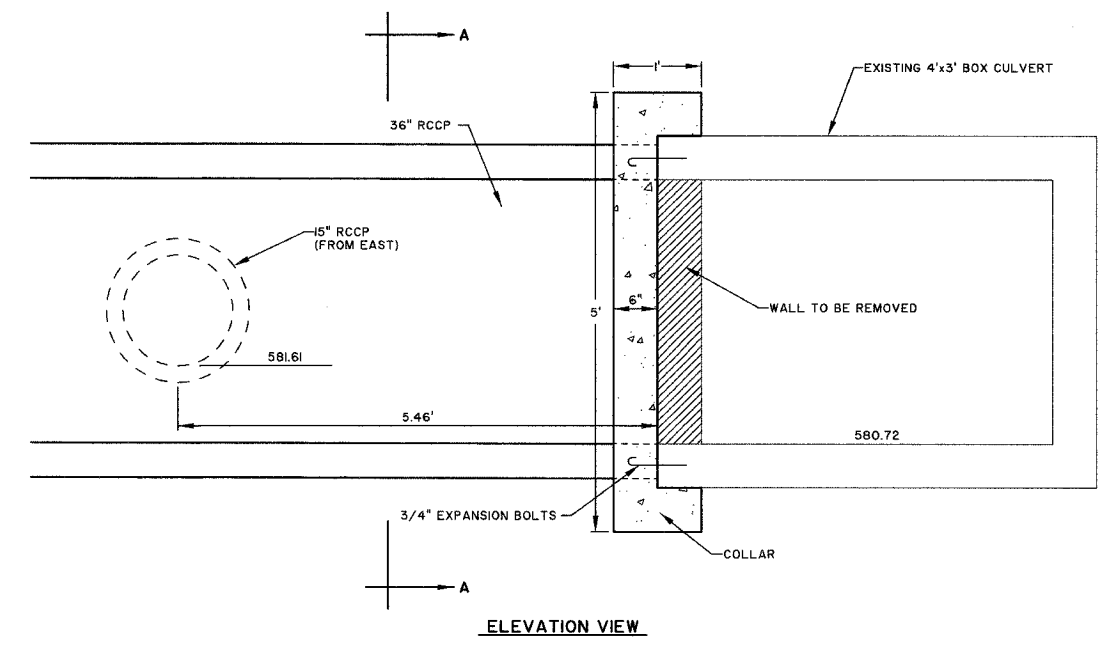
LOCATION	PAVEMENT REMOVAL & REPLACEMENT SQ. YD.	PAVEMENT REMOVAL SQ. YD.
9+96 - 10+65.01	48	
10+65.01 - 12+05.17		71
12+26.70 - 12+65.78		36
13+51.43 - 14+31		64
15+98.45 - 16+83.78		275
TOTAL	48	446

CURB REMOVAL

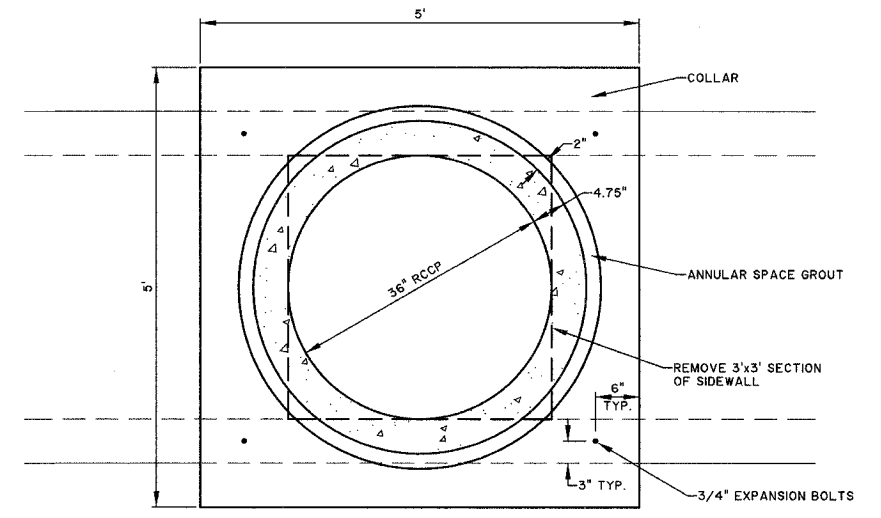
LOCATION	CURB REMOVAL L.F.
15+86.98 - 16+12.87	30
15+98.45 - 16+83.78	88
TOTAL	118



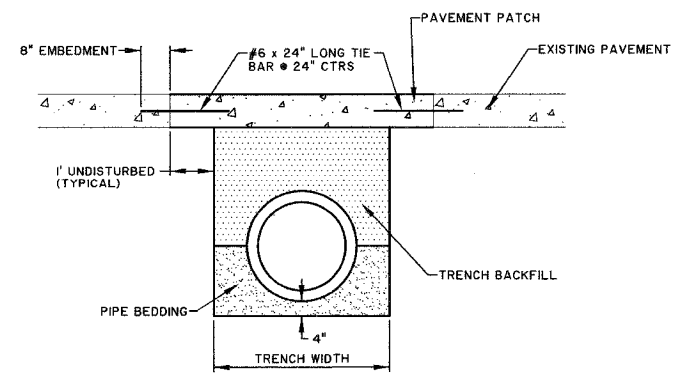
STEEL CASING DETAIL
(GROVE AVENUE)



ELEVATION VIEW



SECTION "A-A"



DETAIL OF STORM SEWER TRENCH UNDER PAVEMENT PATCHING

REVISED: August 29, 2005

MILANO & GRUNLOH ENGINEERS, LLC
 84 WEST WASHINGTON
 P.O. BOX 897
 EFFINGHAM, ILLINOIS 62401
 Phone: (271) 347-7282
 (800) 677-2794
 Fax: (271) 342-3433
 Web Address: www.mgsengineers.com
 Design Firm #: 084-003008

STRUCTURE DETAILS
 HENRIETTA STREET STORM SEWER
 EFFINGHAM, ILLINOIS

File name: S:\DWG\03\03007.dwg\03007 Details.dwg
 Plot date: 08/29/05 at 10:00
 P. 82/2556