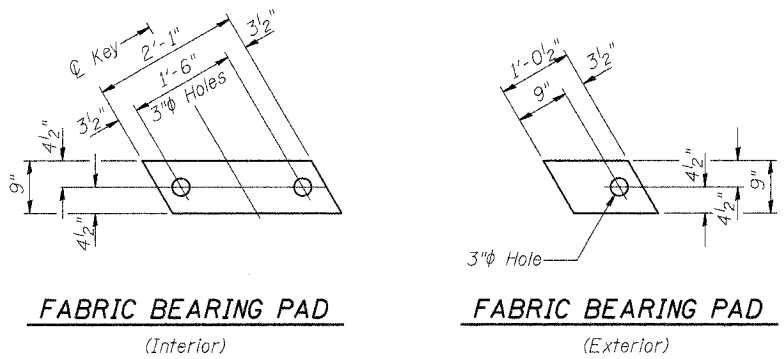
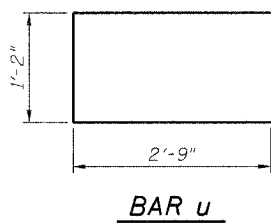


ROUTE	SECTION	COUNTY	TOTAL SHEETS	SHEET NO.
TR 571B	00-07125-00-BR	FAYETTE	9	7
FED. ROAD DIST. NO. 7	ILLINOIS	FED. AID PROJECT		
CONTRACT NO. 95443				

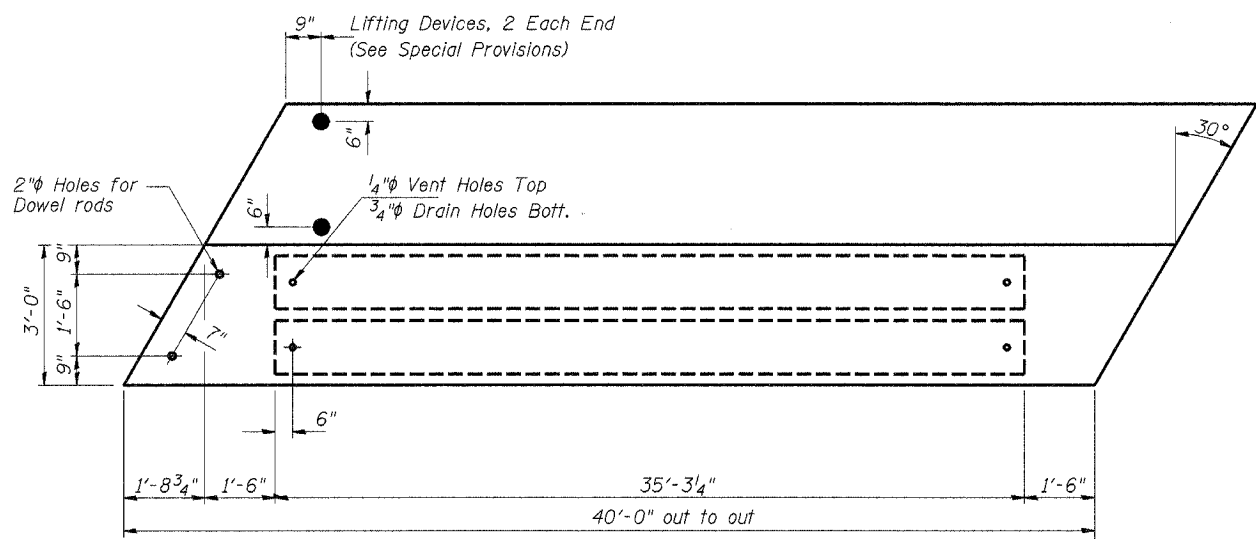


**FABRIC BEARING PAD**  
(Interior)

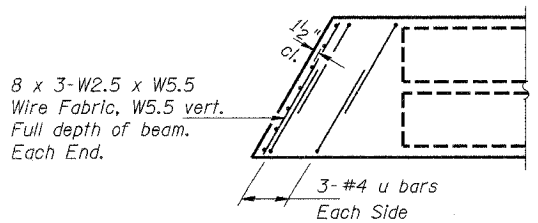
**FABRIC BEARING PAD**  
(Exterior)



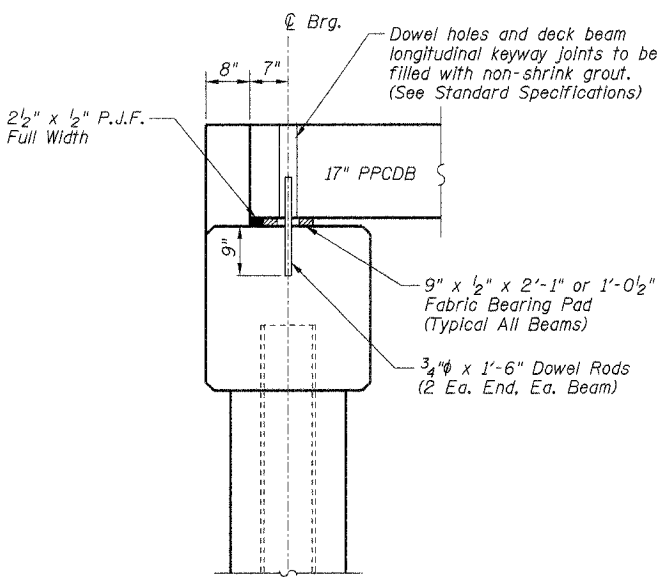
**BAR u**



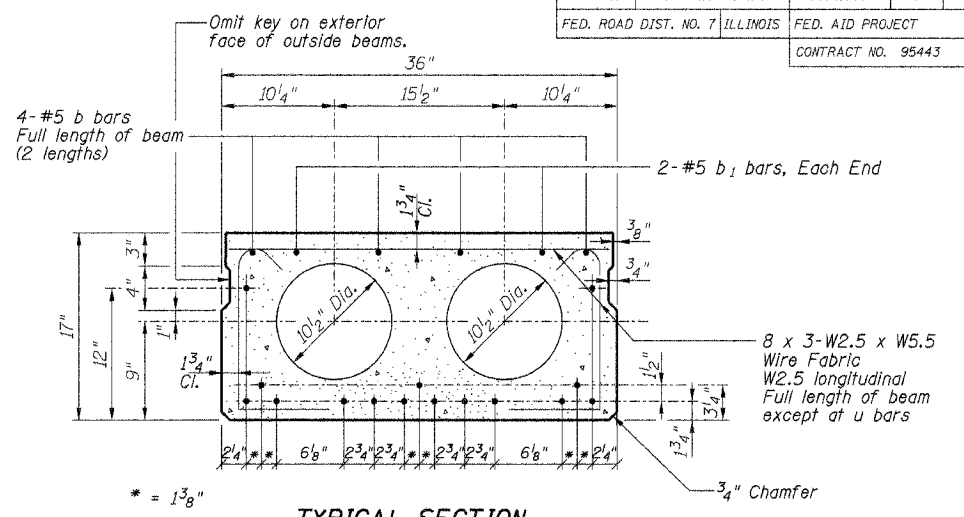
**PLAN**



**END PLAN**

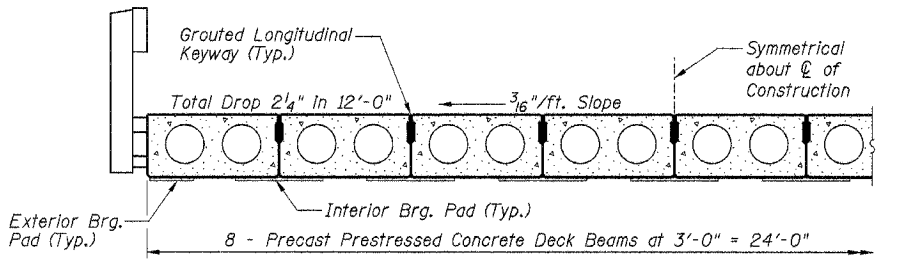


**RESTRAINED BEARING ABUTMENT**  
(Normal to Abutment)



**TYPICAL SECTION**

15 - 1/2"  $\phi$  Strands, Each Strand Stressed to 28,900 Lbs.  
10-Strands 1 3/4" up, 3-Strands 3/4" up, 2-Strands 12" up  
Note: Place strands symmetrically about  $\phi$  of beam.



**HALF CROSS SECTION**

**BILL OF MATERIALS FOR ONE BEAM ONLY**

Bar	No.	Size	Length	Shape
b	8	#5	21'-0"	—
b <sub>1</sub>	4	#5	8'-0"	—
u	12	#4	6'-8"	—
WWF	1	8x3- W2.5xW5.5	2'-9" x 35'-6"	□
WWF	2	8x3- W2.5xW5.5	3'-0" x 35'-6"	□
WWF	2	8x3- W2.5xW5.5	2'-3" x 35'-6"	⌋
Precast Prestressed Concrete Deck Beams		Sq. Ft.	120	
* Reinforcement Bars		Pound	260	
Total Weight		Pound	19,140	

\* Does not include WWF weight

**NOTES**

- Prestressing steel shall be uncoated high strength, stress-relieved 7-wire strand, Grade 270. The nominal diameter shall be 1/2" and the nominal cross-sectional area shall be 0.153 sq. in.
- See Special Provisions for lifting devices.
- Reinforcement bars shall conform to the requirements of AASHTO M-31, M-42, or M-53 Grade 60.
- The bearing seat surfaces shall be adjusted by shimming to assure firm and even bearing. Two 1/8" fabric adjusting shims of the dimensions of the Exterior Bearing Pad shall be provided for each bearing.
- Keyway surfaces shall be cleaned to remove form oil or other bond breaking material prior to shipment of the beams. Cleaning shall be done by sandblasting the keyway areas between top of the beam and the bottom edge of the key.
- Required Release Strength, f'ci, shall be 4000 psi.
- An equal substitution of the low-relaxation strands for the stress-relieved strands will be permitted. However, the initial prestressing force applied to each strand shall be the same as for the stress-relieved strands (28,900 lbs).

**PRECAST PRESTRESSED CONCRETE DECK BEAMS PROPOSED BRIDGE OVER NORTH FORK CREEK TR 571B SECTION 00-07125-00-BR FAYETTE COUNTY, ILLINOIS**

08/12/2005