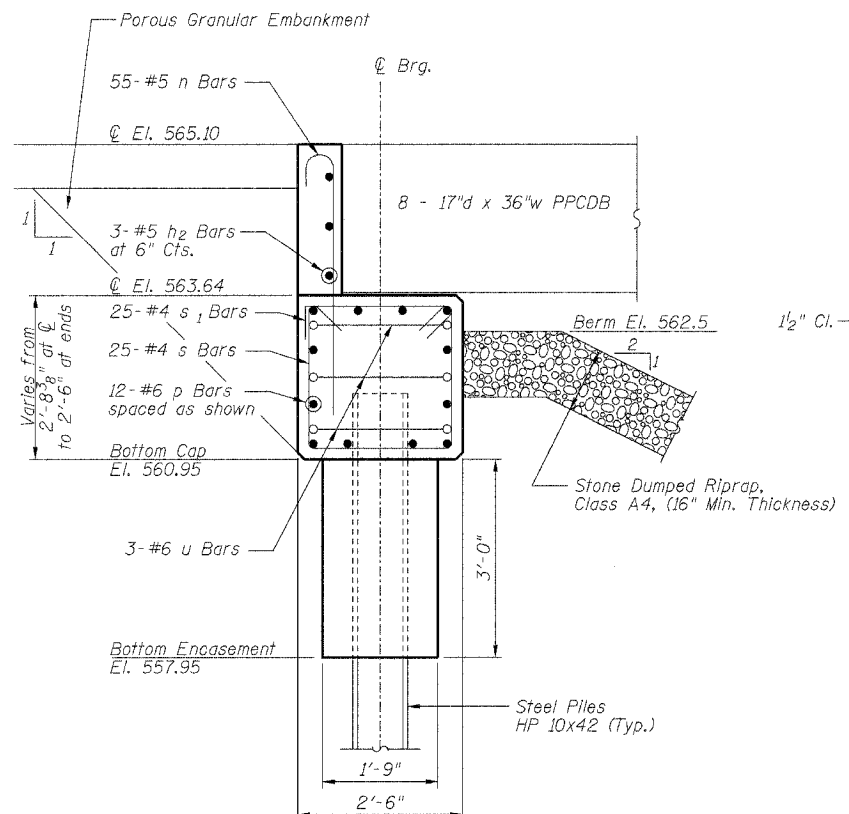
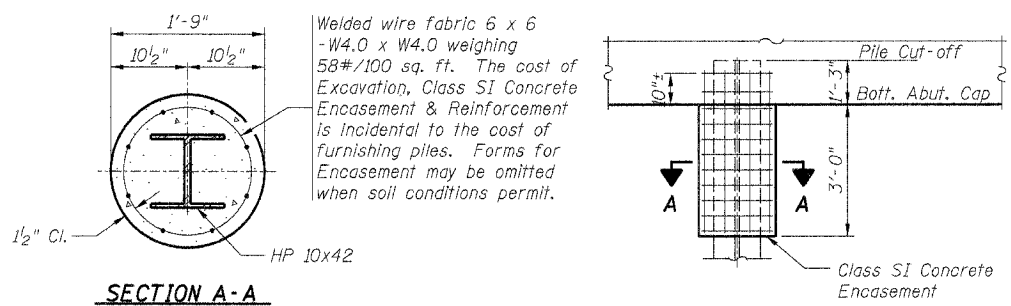


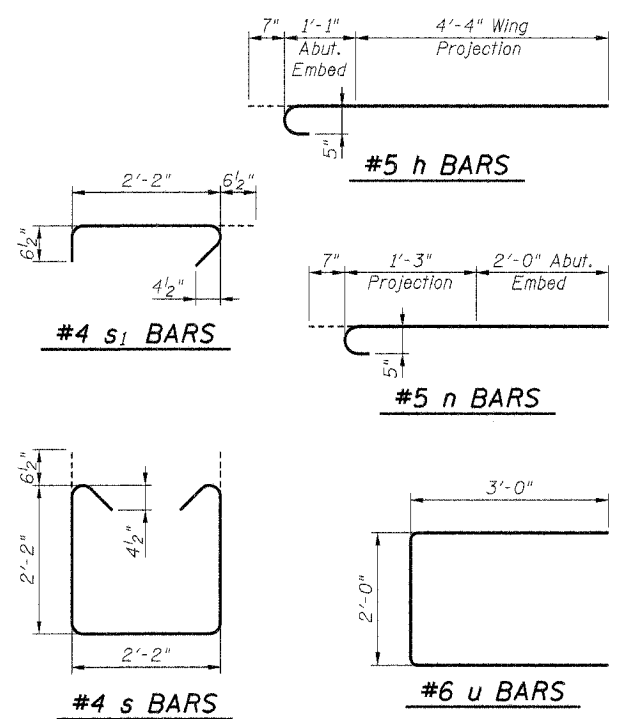
ROUTE	SECTION	COUNTY	TOTAL SHEETS	SHEET NO.
TR 571B	00-07125-00-BR	FAYETTE	9	9
FED. ROAD DIST. NO. 7	ILLINOIS	FEDERAL AID PROJECT		
CONTRACT NO. 95443				



SECTION THRU ABUTMENT
(Normal to Abutment)



PILE ENCASEMENT DETAIL



PILE DATA

Type:
W. Abutment HP 10x42
E. Abutment HP 10x42

Estimated Capacity:
W. Abutment 68 tons
E. Abutment 68 tons

Estimated Length:
W. Abutment 45 foot
E. Abutment 50 foot

Number Required:
W. Abutment 4
E. Abutment 3+1 Test pile

Total Estimated Length:
Not including Test Pile HP 10x42 330 foot

Drive to 68 ton capacity

BILL OF MATERIALS
ONE ABUTMENT w/ WINGWALLS

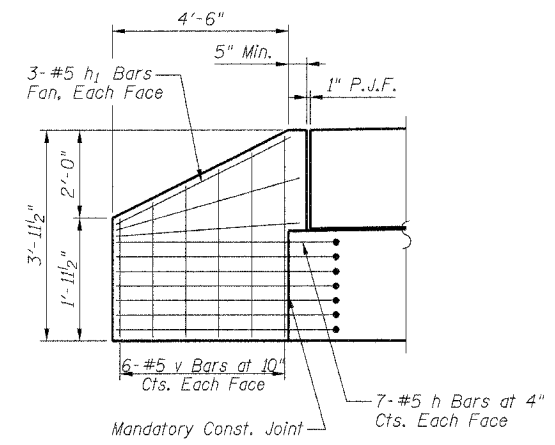
Bar	No.	Size	Length	Shape
h	28	#5	6'-0"	
h1	12	#5	4'-6"	
h2	3	#5	27'-3"	
n	55	#5	3'-10"	
p	12	#6	29'-0"	
s	25	#4	7'-7"	
s1	25	#4	3'-3"	
u	6	#6	8'-0"	
v	24	#5	3'-8"	CUT IN FIELD
Concrete Structures		Cu. Yd.	9.2	
Reinforcement Bars		Pound	1410	

GENERAL NOTES

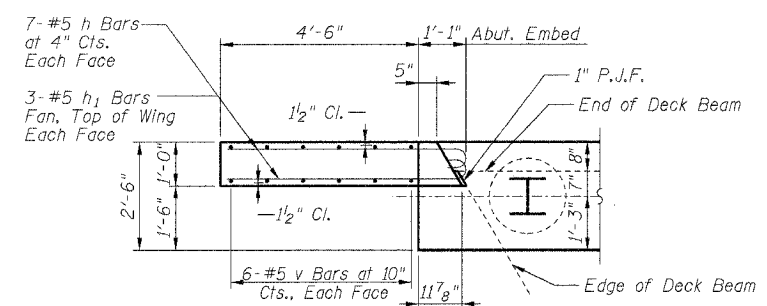
All exposed edges shall have standard 3/4" chamfer, unless otherwise noted.

All clearances between reinforcement bars and form surface shall be 2", unless otherwise noted.

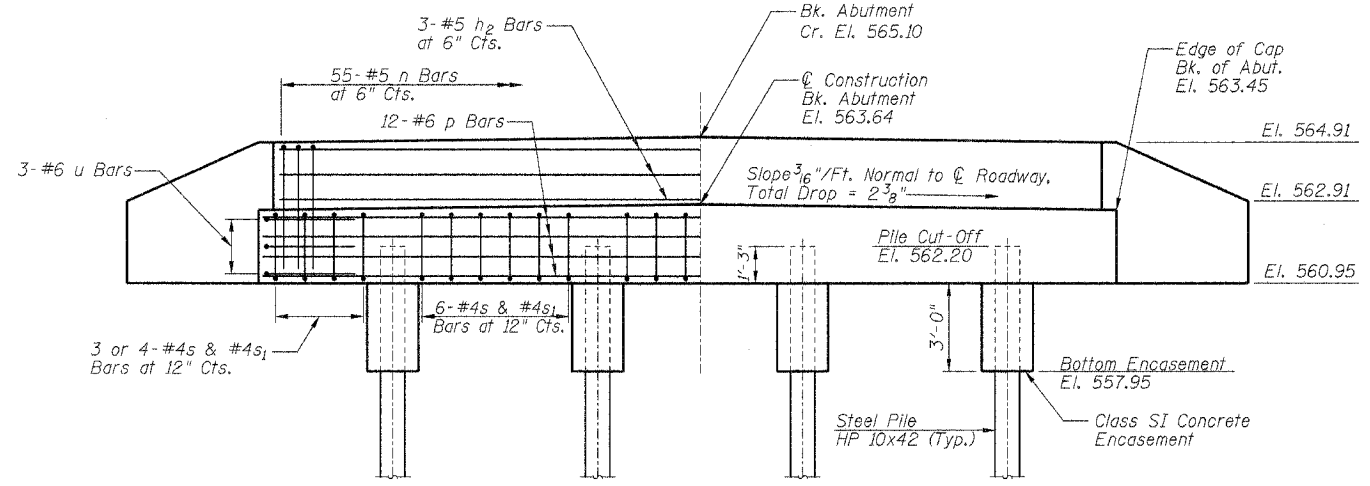
The Contractor shall drive one (1) Steel HP10x42 Test Pile in a permanent location at the East Abutment as directed by the Engineer before ordering the remainder of the piles.



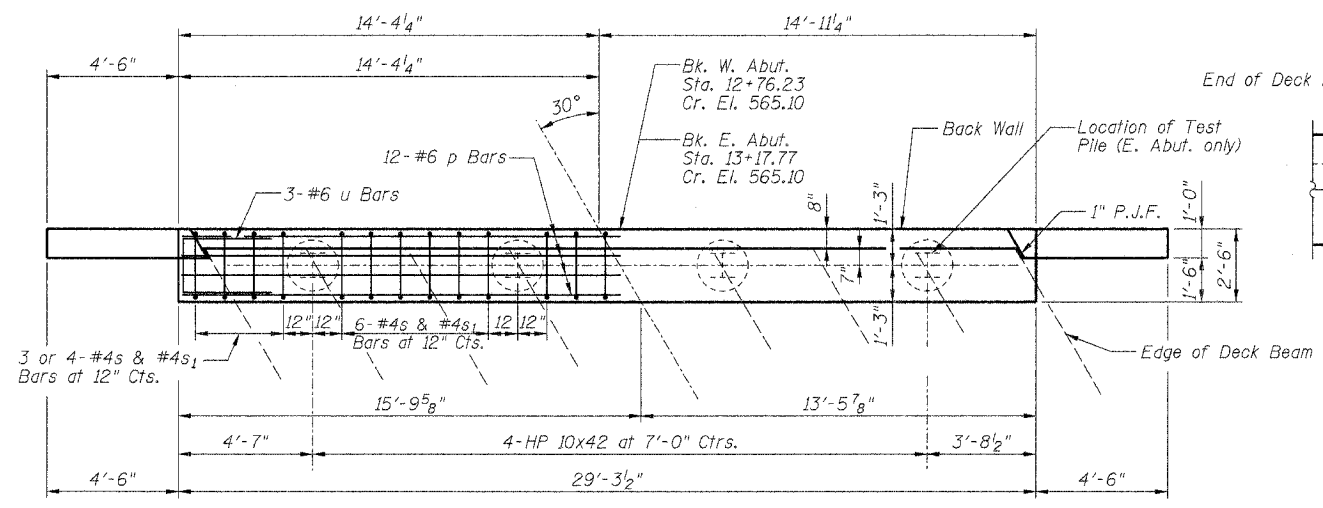
ELEVATION OF WINGWALL



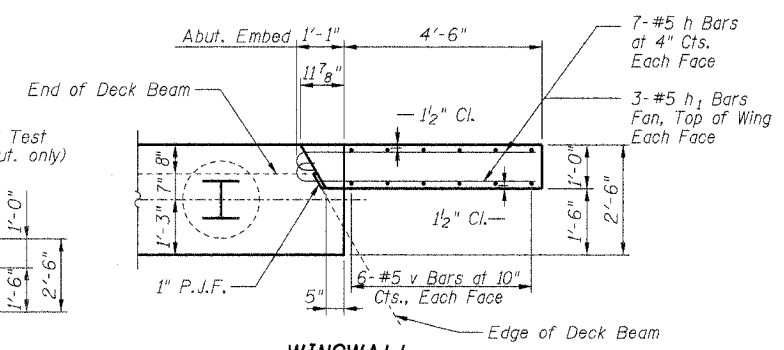
WINGWALL CONNECTION DETAIL



ELEVATION



PLAN



WINGWALL CONNECTION DETAIL

ABUTMENTS
PROPOSED BRIDGE OVER
NORTH FORK CREEK
TR 571B
SECTION 00-07125-00-BR
FAYETTE COUNTY, ILLINOIS