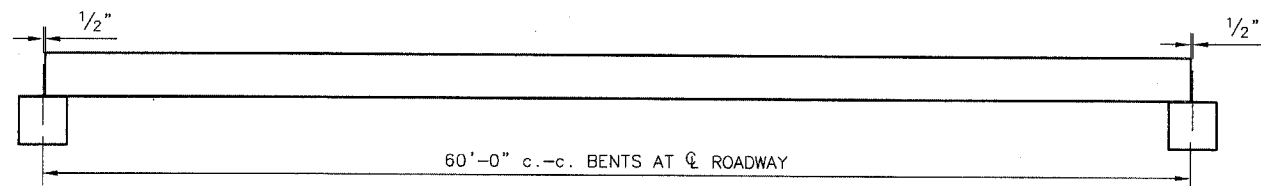
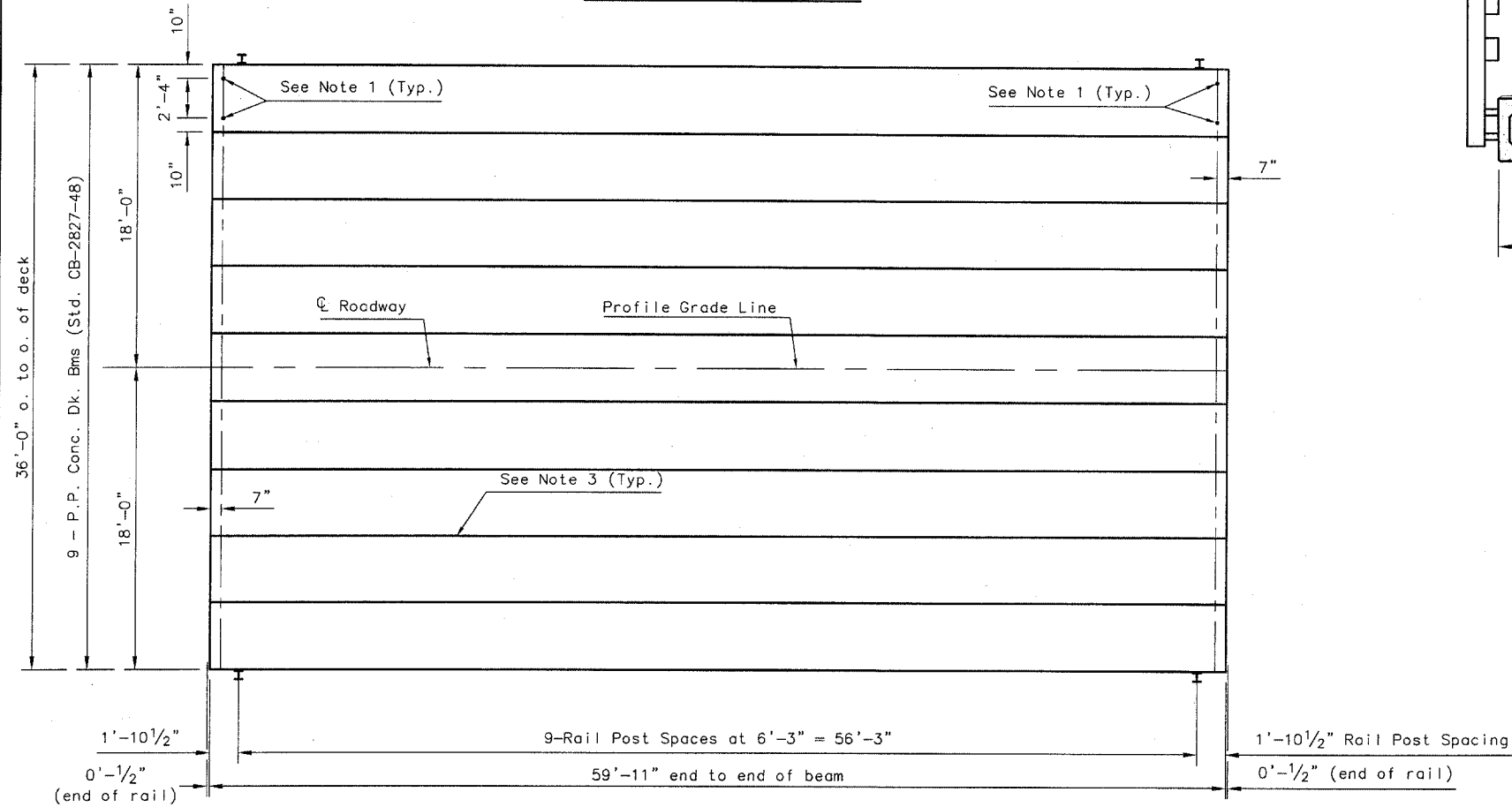


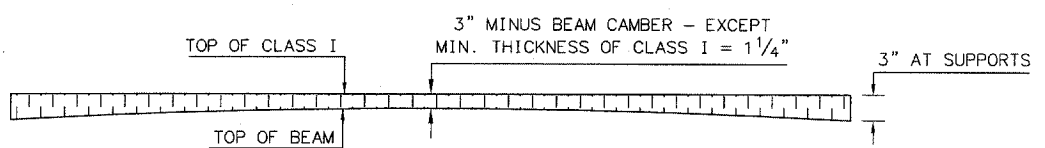
SECTION NO.	COUNTY HIGHWAY	COUNTY	SHEET
00-00196-08-BR	47	ST. CLAIR	10 OF 18
FHWA REG. NO. 7	ILLINOIS	FEDERAL AID PROJECT	
CONTRACT 97257			



TYPICAL ELEVATION



PLAN

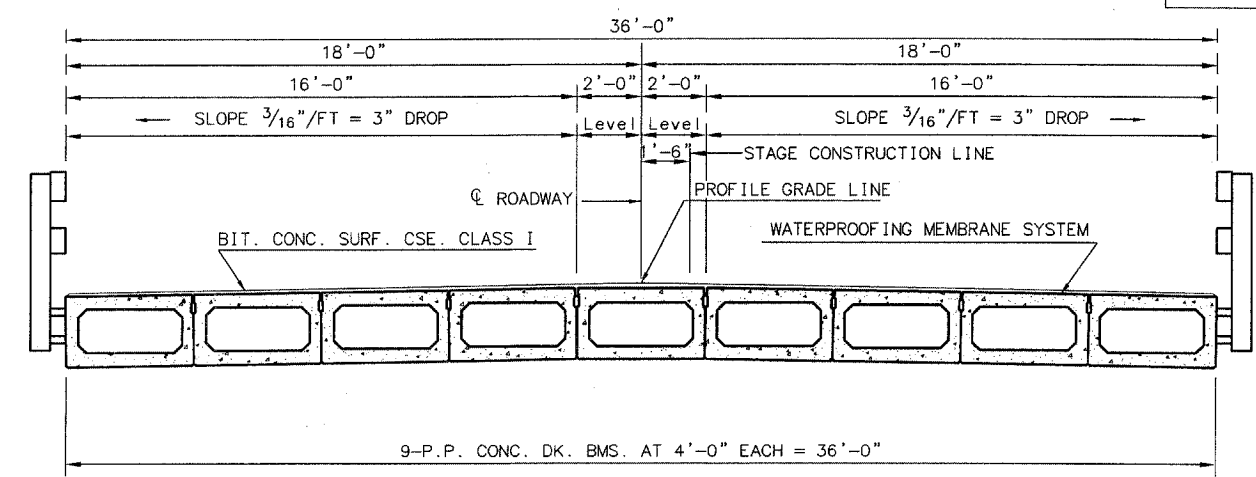


PROFILE OF OVERLAY

NOTES

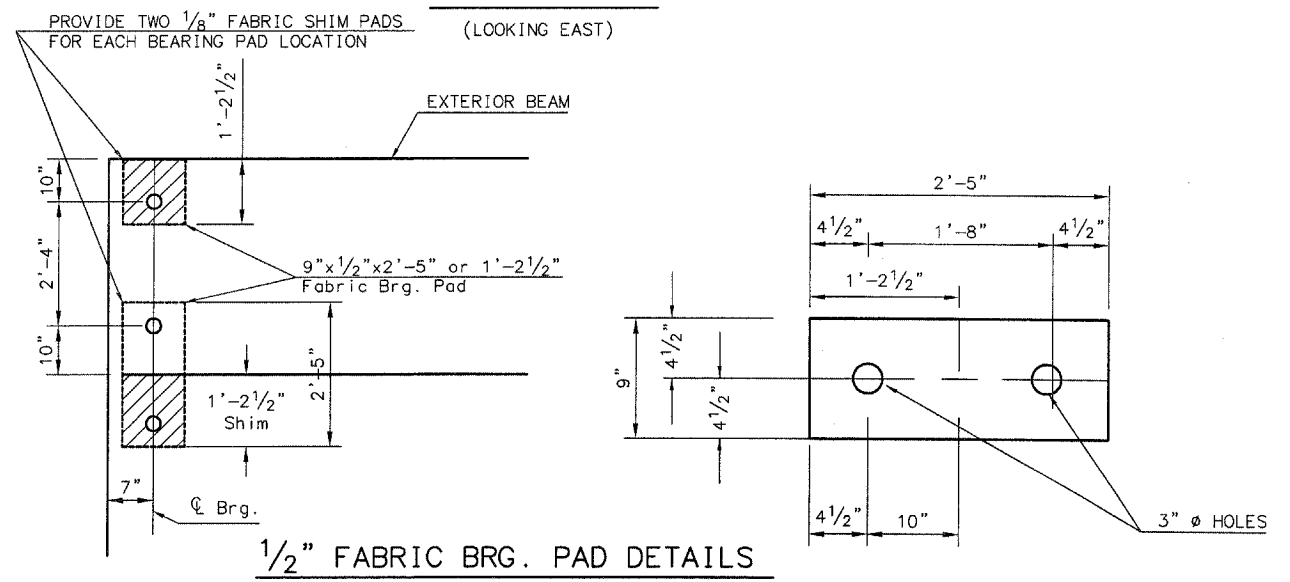
- AFTER BEAMS HAVE BEEN ERECTED, HOLES SHALL BE DRILLED INTO SUBSTRUCTURE AND ANCHOR DOWELS PLACED. DOWEL HOLES SHALL BE FILLED WITH NON-SHRINK GROUT TO TOP OF BEAM AND ALLOWED TO CURE MIN. 24 HRS. PRIOR TO GROUTING THE SHEAR KEYS.
- NOMINAL 1" JOINT AT CL PIER SHALL BE FILLED WITH NON-SHRINK GROUT.
- LONGITUDINAL KEYS SHALL BE GROUTED.
- SEE SHEET 3 FOR SHEAR KEY CLAMPING DETAILS.
- SEE SHEETS 5 & 6 FOR STAGE CONSTRUCTION DETAILS.

DESIGNED	INITIALS	DATE
CHECKED	JLH	8/04
DRAWN	JLH	10/04
CHECKED		
PREPARED BY ST. CLAIR COUNTY		
CADD DRAWING FILE: SUPERSTR		

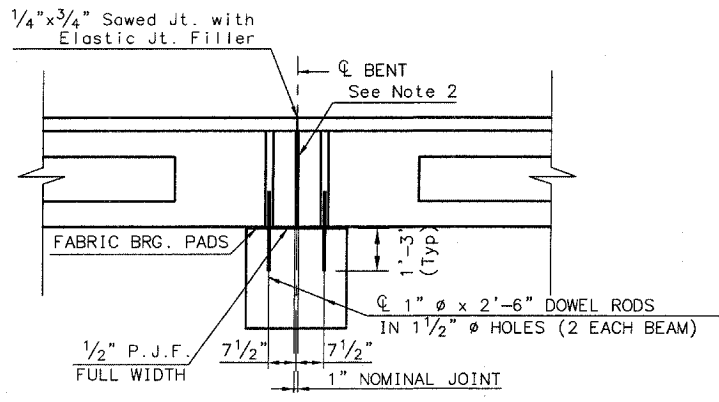


CROSS SECTION

(LOOKING EAST)



1/2" FABRIC BRG. PAD DETAILS



SECTION AT PIERS

(ALONG CL BEAMS)

QUANTITIES FOR ONE SPAN

P.P. CONC. DK. BM. 27" DP.	2157 SQ FT
STEEL RAILING, TYPE SI	120 FT
BCSC SUPER "C" N50	28.2 TONS
WATERPROOFING MEMBRANE SYSTEM	240 SQ YD

P.P.C. DECK BEAM SUPERSTRUCTURE	
36' RDWY.	27" BMS.
60' SPAN	0° SKEW