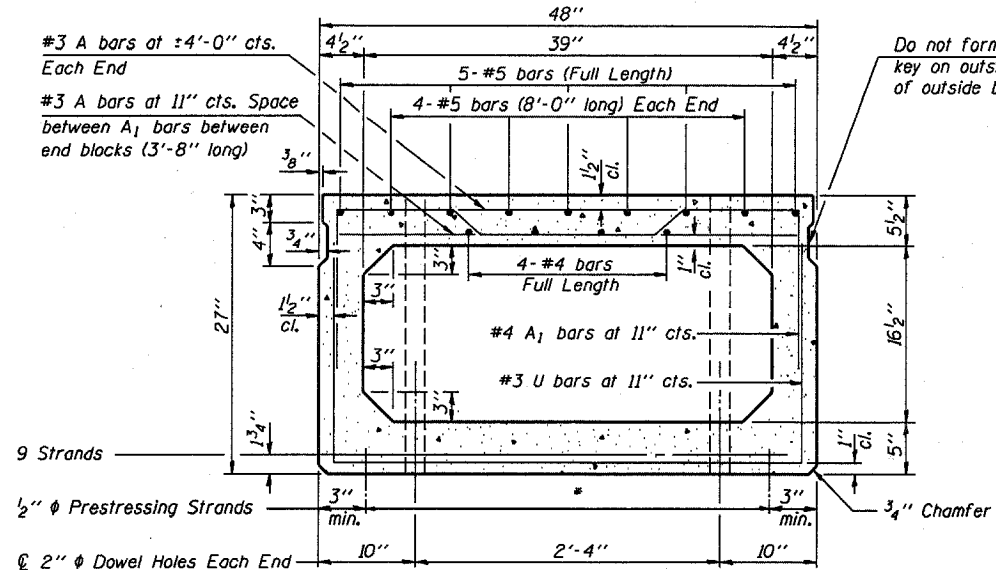
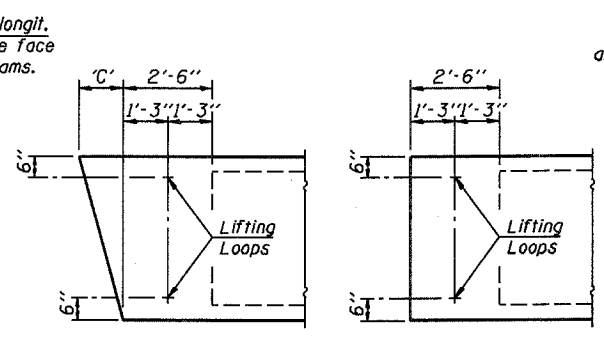


SECTION NO.	COUNTY HIGHWAY	COUNTY	SHEET OF SHEETS
00-00196-08-BR	47	ST. CLAIR	11 OF 18
FHWA REG. NO. 7	ILLINOIS	FEDERAL AID PROJECT	
CONTRACT 97257			

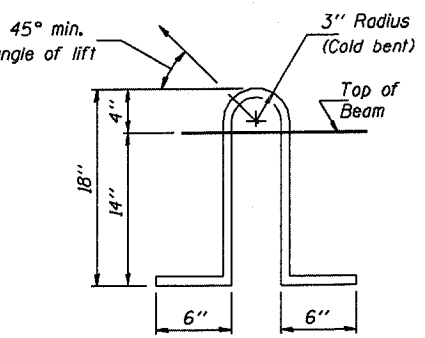


**CROSS SECTION**  
(40' SPAN)



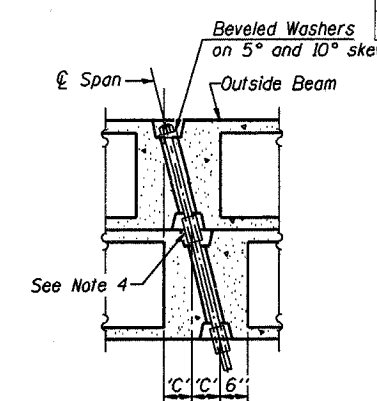
**END BLOCK DETAILS**

Each beam shall have four Lifting Loops, two at each end of beam cast in locations shown above. Loops shall be burned off after beams have been erected.

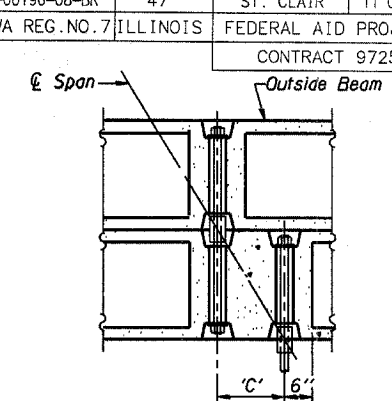


**LIFTING LOOP DETAIL**

Lifting loops shall be 3/2 inch diameter 270 ksi strands, as shown. Alternate approved lifting devices are also acceptable.



**PARTIAL PLAN TRANSVERSE TIE ASSEMBLY**  
(D=0°, 5° and 10°)



**PARTIAL PLAN TRANSVERSE TIE ASSEMBLY**  
(D=15°, 20°, 25° and 30°)

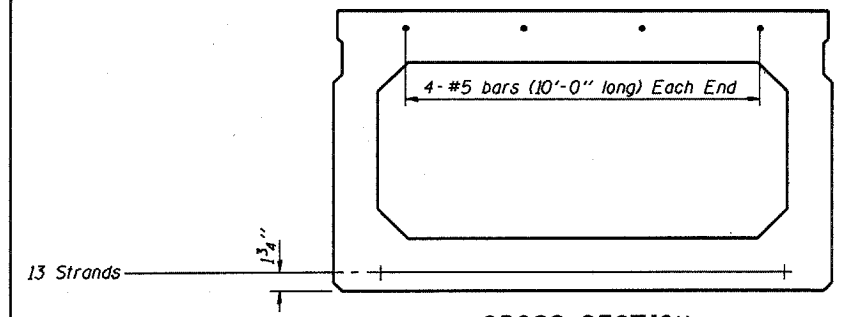
**DIMENSION 'C'**

Skew Angle 'D'	0°	5°	10°	15°	20°	25°	30°
Dimension 'C' (Inches)	0	4 1/4	8 1/2	12 7/8	17 1/2	22 3/8	27 3/4

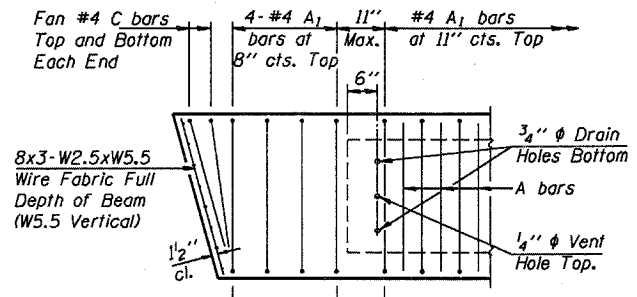
**\* TRANSVERSE STRAND PLACEMENT GUIDELINES**

1. Place strands symmetrically about centerline of beam.
2. The minimum distance from center to center of strands in all directions shall be 2".
3. The minimum clearance from strand to dowel hole shall be 1/2".
4. The minimum clearance from strand to void shall be 1/2".

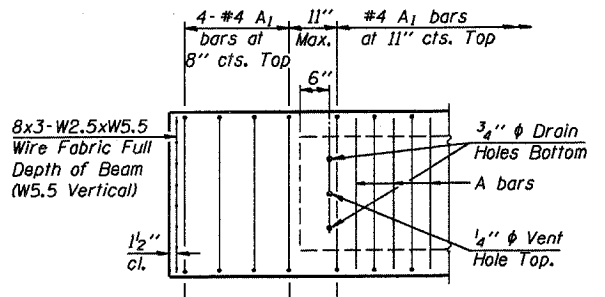
Vertical placement of strands shall not be adjusted to satisfy the above guidelines.



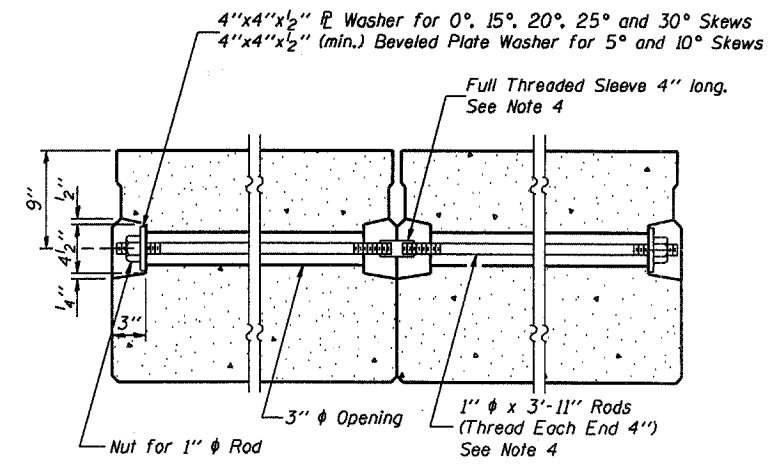
**CROSS SECTION**  
(50' SPAN)



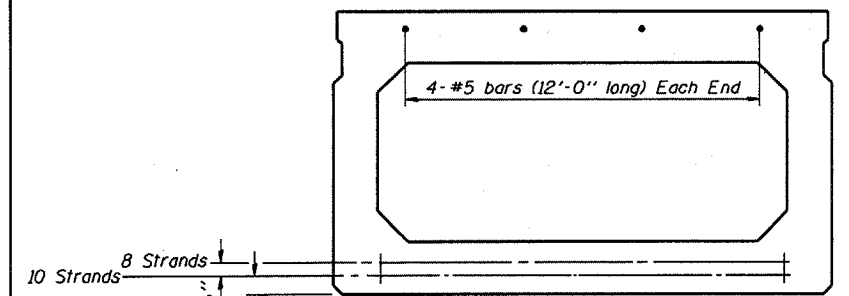
**END REINFORCEMENT**  
(SKEWED)



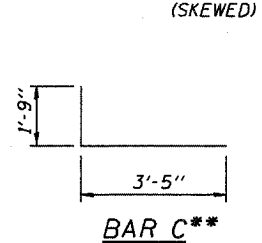
**END REINFORCEMENT**  
(RIGHT ANGLE)



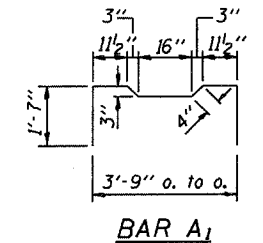
**SECTION ALONG TRANSVERSE TIE ASSEMBLY**  
(REQUIRED FOR 50' & 60' SPANS ONLY)



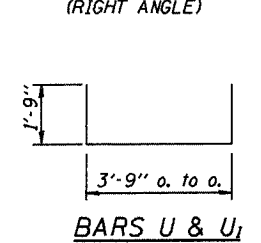
**CROSS SECTION**  
(60' SPAN)



**BAR C\*\***



**BAR A1**



**BARS U & U1**

**DESIGN STRESSES**

- $f_c = 5,000$  p.s.i.
- $f_{ci} = 4,000$  p.s.i.
- $f_s = 270,000$  p.s.i. (1/2 inch diameter Strand)
- $f_{si} = 201,960$  p.s.i. (1/2 inch diameter Strand)
- $f_y = 60,000$  p.s.i.

**MIN. BAR LAP**

- #4 bars = 1'-4"
- #5 bars = 1'-8"

- NOTES**
1. Prestressing steel shall be uncoated high strength, low relaxation 7-wire strand, Grade 270.
  2. The nominal diameter shall be 1/2 inch and the nominal cross-sectional area shall be 0.153 square inches.
  3. Reinforcement bars shall conform to the requirements of AASHTO M-31 or M-322, Grade 60.
  4. On 0°, 5° and 10° skew angles, alternate approved transverse tie rods of increased segmental length are acceptable.
  5. Rail Post anchor devices shall be cast into outside beam as elsewhere specified.
  6. When a Waterproofing Membrane System is specified, the top surface of the beams shall be screeded with a straightedge and finished with a hand float. The finished surface shall be free of depressions or high spots with sharp corners and the top edge of keys shall be rounded or chamfered a minimum of 1/4 inch.
  7. Keyway surfaces shall be cleaned to remove form oil or other bond breaking material prior to shipment of the beams. Cleaning shall be done by sandblasting the keyway areas between the top of the beam and the bottom edge of the key.

Illinois Department of Transportation  
 PASSED APRIL 4, 2005  
 Thomas S. Namagallo  
 Engineer of Bridge Design  
 APPROVED APRIL 4, 2005  
 Ralph E. Anderson  
 Engineer of Bridges and Structures

**NOTE**  
 The std. reinf. and dimensions shown on the 40' span cross section is typical for all spans, except as shown.

**\*\*NOTE:**  
 The following number of C bars shall be used:  
 Skew No.  
 5° and 10° — 1  
 15° and 20° — 2  
 25° and 30° — 3

**P.P.C. DECK BEAM DETAILS**  
 28" ROADWAY | 27" x 48" BEAMS  
 STANDARD CB-2827-48