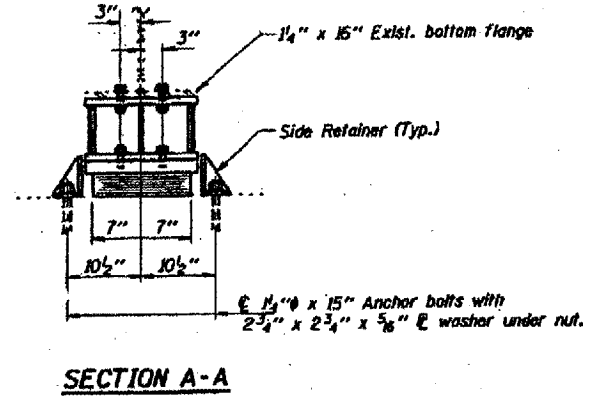
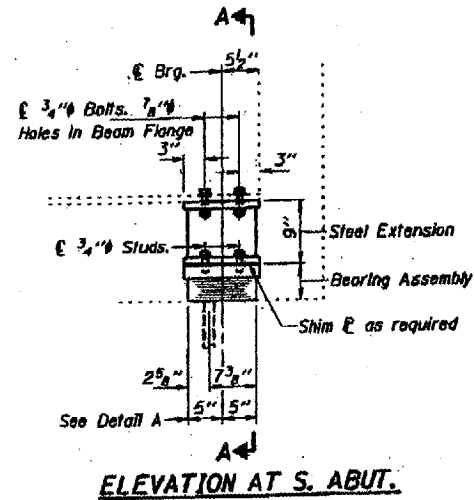
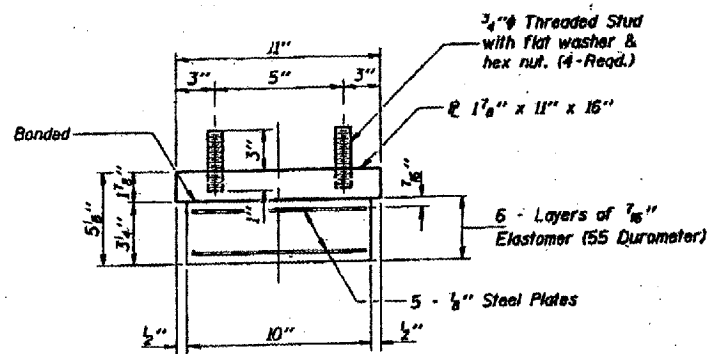


STATE OF ILLINOIS
DEPARTMENT OF TRANSPORTATION

VARIOUS ROUTES
VARIOUS COUNTIES
D-9 BRIDGE PAINTING FY 06-1
CONTRACT 98941
SHEET 11 OF 48

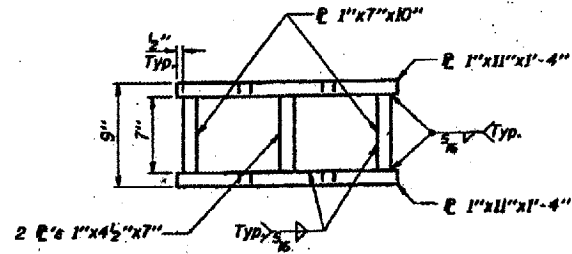


TYPE I ELASTOMERIC EXP. BRG.



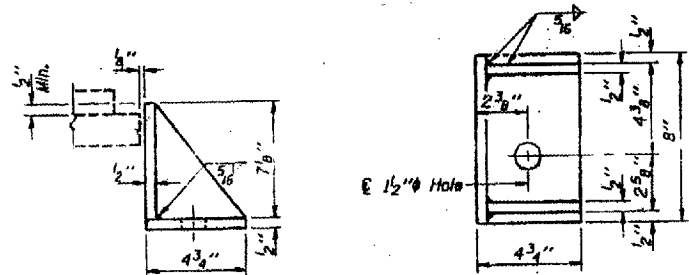
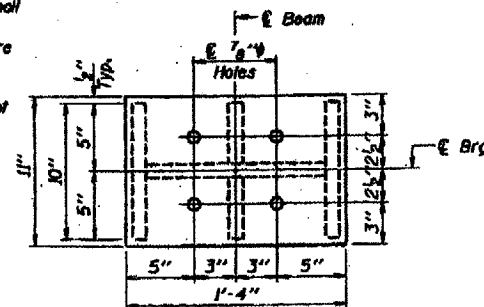
Note: Shim plates shall not be placed under Bearing Assembly.

Diaphragm removal & reinstallation may be required to facilitate drilling holes. Cost shall be included in the cost of "Furnishing and Erecting Structural steel".
New steel extensions, side retainers, shim plates, connection bolts and anchor bolts are included in the cost of "Furnishing and Erecting Structural steel".
See Sheet 13 of 14 for anchor bolt installation.
Prior to ordering any material, the Contractor shall verify in the field all bearing height and shim thickness dimensions.
Min. Jack capacity = 60 Tons.
Anchor bolts of exist. beams shall be drilled and grouted in place.
See sheet 11 of 14 for bearing removal details.



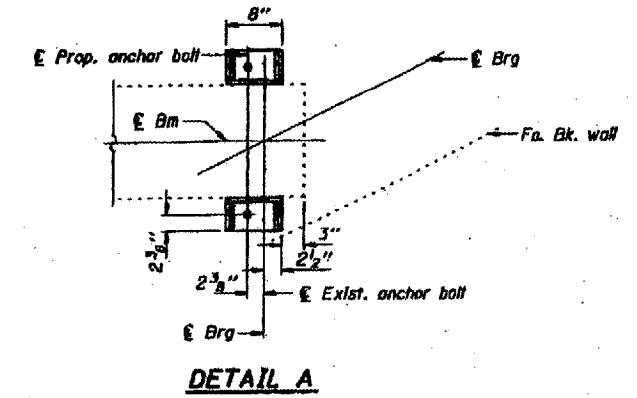
BOLSTER

Note: Prior to ordering any material, the Contractor shall verify in the field all bearing height and shim thickness dimensions.



Equivalent rolled angle with stiffeners will be allowed in lieu of welded plates. Weight Included with Structural Steel.

REACTIONS	
RP	(K) 52.1
RE	(K) 46.5
R1	(K) 10.3
R Total	(K) 108.9



BILL OF MATERIAL

BRIDGE NO. 1
039-0048
FOR INFORMATION ONLY

SOUTH ABUTMENT BEARING DETAILS
FAP ROUTE 312 OVER MISSOURI PACIFIC RAILROAD
JACKSON COUNTY
STATION 247+02.81
STR. NO. 039-0048