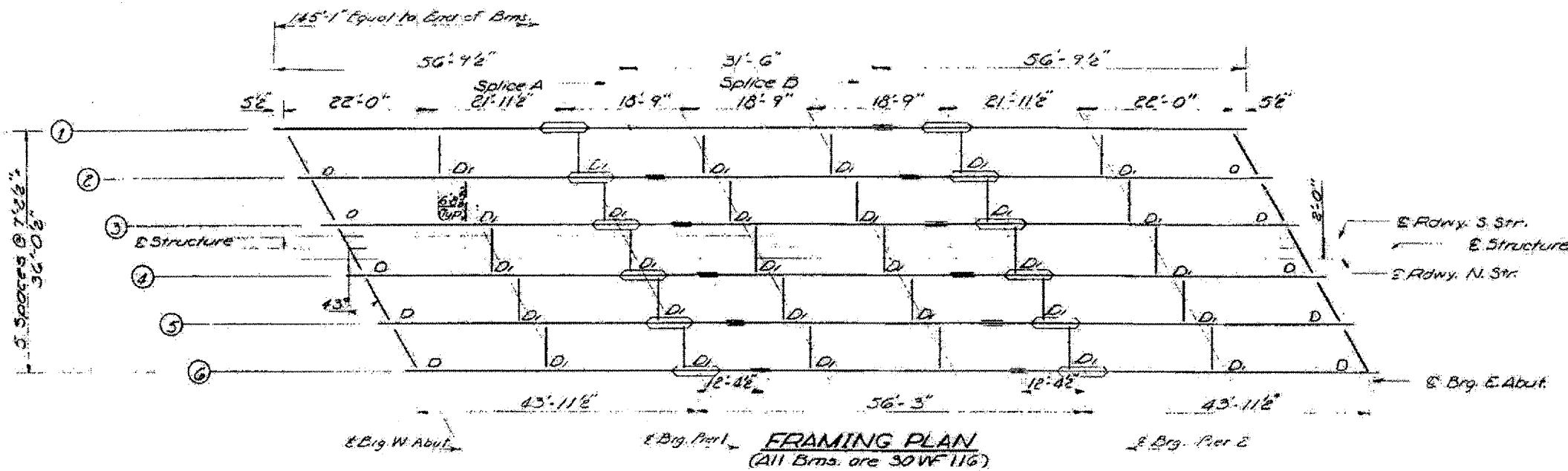


STATE OF ILLINOIS
DEPARTMENT OF PUBLIC WORKS & BUILDINGS
DIVISION OF HIGHWAYS

VARIOUS ROUTES
VARIOUS COUNTIES
D-9 BRIDGE PAINTING FY 06-1
SHEET 16 OF 48
ELEV. NO. CONTRACT 98941



Beam No.	E. Brg. W. Abut.	Pier 1	Splice A	Splice B	Pier 2	E. Brg. E. Abut.
1	347.12	348.13	348.20	348.24	348.56	348.32
2	348.28	348.34	348.36	348.40	348.42	348.43
3	348.41	348.47	348.49	348.53	348.55	348.61
4	348.46	348.54	348.56	348.60	348.62	348.68
5	348.38	348.44	348.46	348.50	348.52	348.58
6	348.25	348.31	348.33	348.37	348.39	348.45

SOUTH STRUCTURE

Beam No.	E. Brg. W. Abut.	Pier 1	Splice A	Splice B	Pier 2	E. Brg. E. Abut.
1	348.30	348.41	348.43	348.47	348.49	348.55
2	348.43	348.55	348.57	348.61	348.63	348.69
3	348.61	348.67	348.69	348.73	348.75	348.81
4	348.54	348.62	348.64	348.68	348.70	348.76
5	348.45	348.51	348.53	348.57	348.59	348.65
6	348.31	348.37	348.39	348.43	348.45	348.51

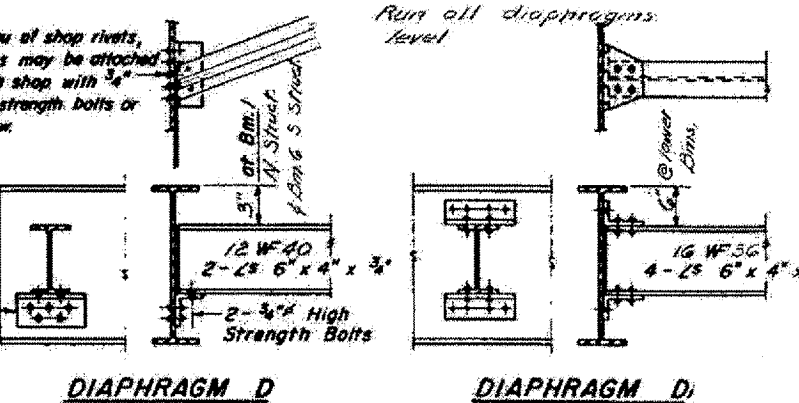
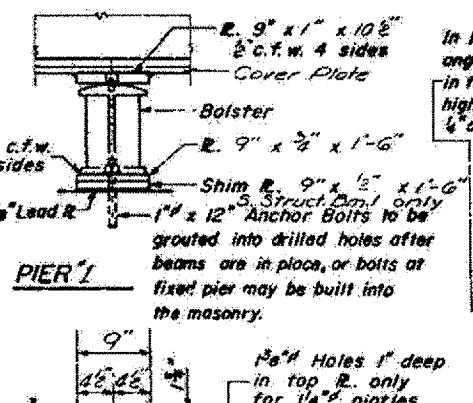
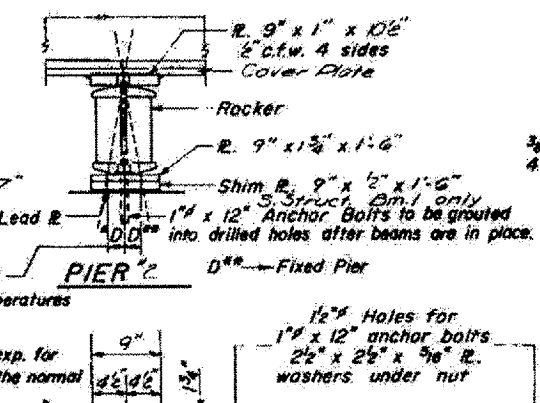
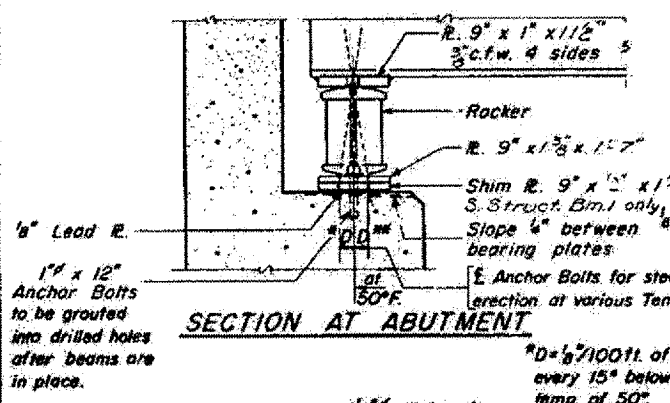
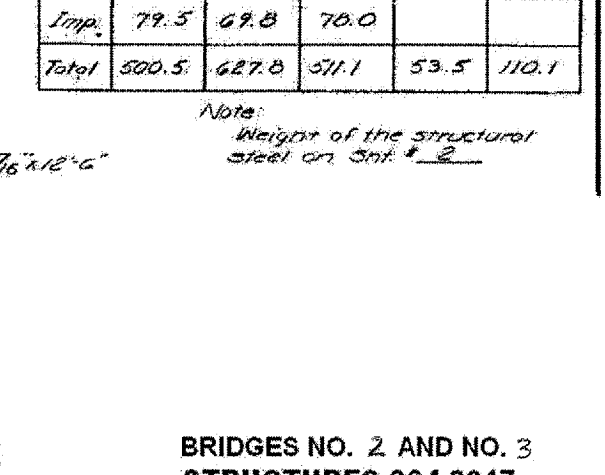
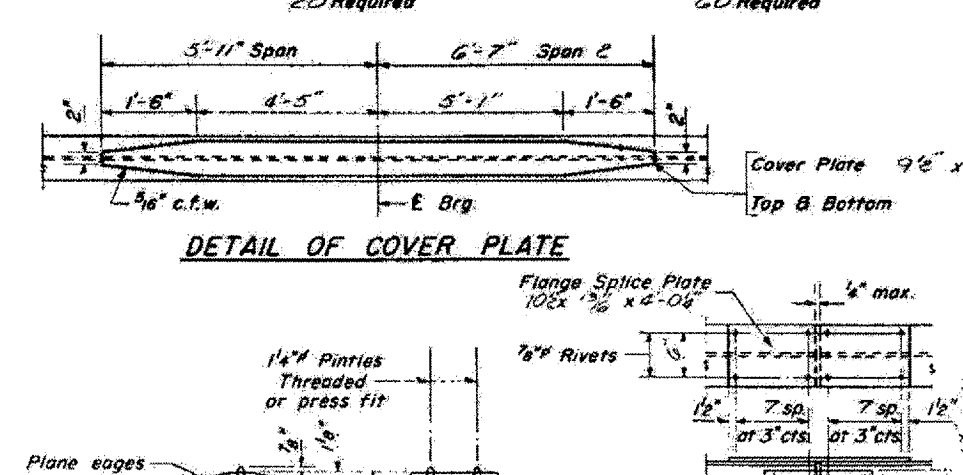
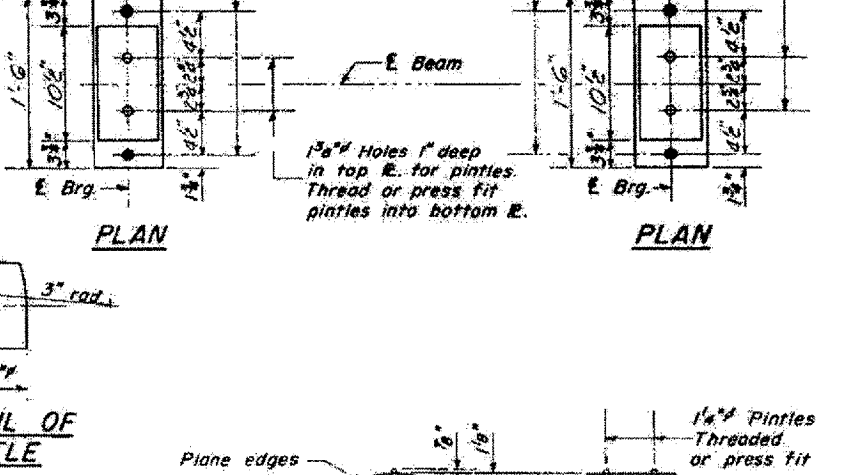
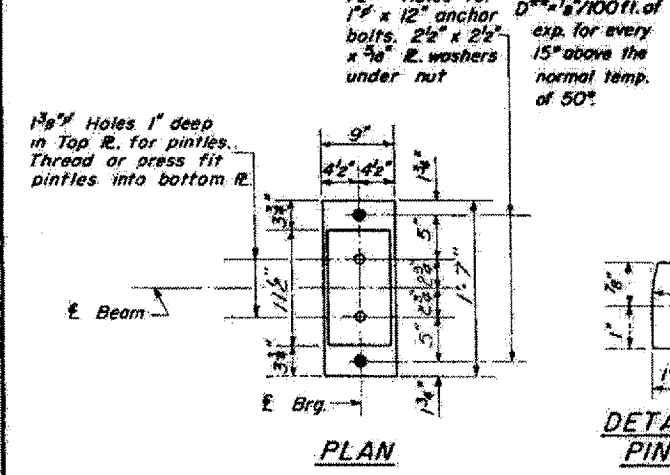


TABLE OF MOMENTS & REACTION
(INTERIOR BMS. ONLY)

	Moment (Kip-ft unit)		Reactions (Kip)	
	0+L1 @ Pier	0.5 L2 @ Abut.	@ Abut.	@ Pier
Q	146.5	317.0	149.1	15.6 66.1
R	274.5	241.0	264.0	34.7 44.0
Imp.	79.5	69.8	70.0	
Total	500.5	627.8	511.1	53.5 110.1

Note: Weight of the structural steel on Snt. # 2



DESIGNED: [Signature]
CHECKED: P.G. Barnett, D. Burrows, W.A. Sausaman Jr.
EXAMINED: [Signature]
PASSED: [Signature]
APPROVED: [Signature]

BRIDGES NO. 2 AND NO. 3
STRUCTURES 064-0017
064-0018
FOR INFORMATION ONLY
STRUCTURAL STEEL
I.A.I. RT. 24 SEC. 64-1B-1
MASSAC COUNTY
STA 255-50