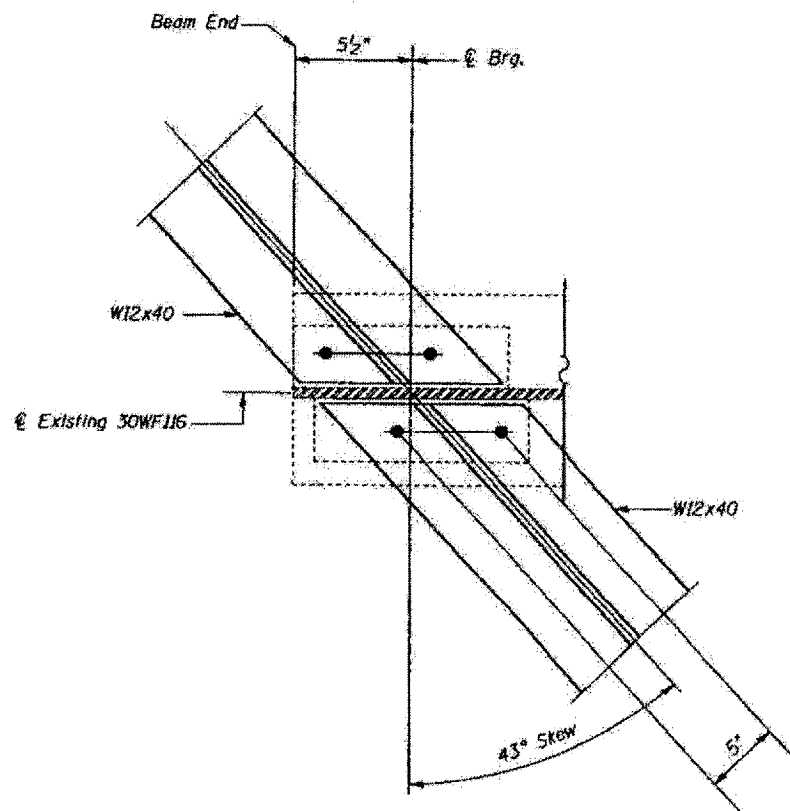
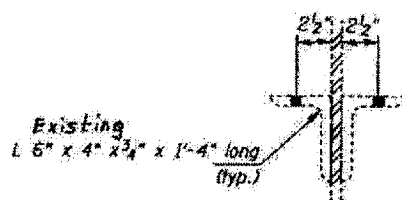


DIAPHRAGM REPLACEMENT AT ABUTMENTS

Required: 20 - W12 x 40 x 9'-9 3/8" long



SECTION C-C



CLIP ANGLES

| | |
|-----------|-----|
| DESIGNED: | CMW |
| CHECKED: | TWH |
| DRAWN: | CMW |
| CHECKED: | TWH |

Notes: 5/16" ϕ Holes for new 3/4" H.S. Bolts shall be used for all diaphragm connections. Two hardened washers shall be required at diaphragm connections. Existing clip angles are welded to the webs and are to be reused.

BRIDGES NO. 2 AND NO. 3
STRUCTURES 064-0017 064-0018
FOR INFORMATION ONLY

DIAPHRAGM REPLACEMENT
64112-2-13-13HS-1-BSMART-FY2008-2