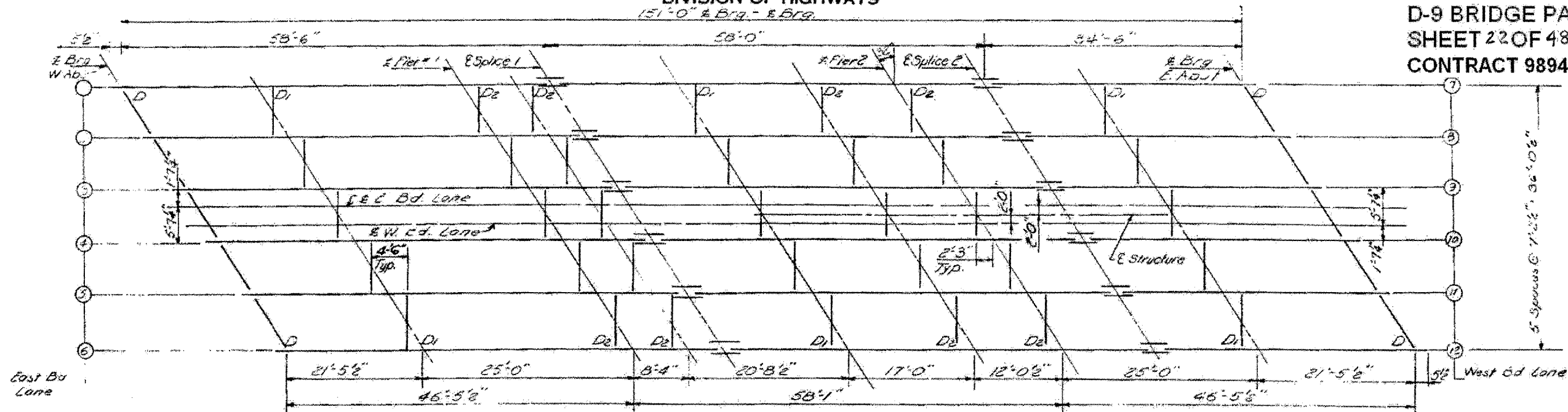


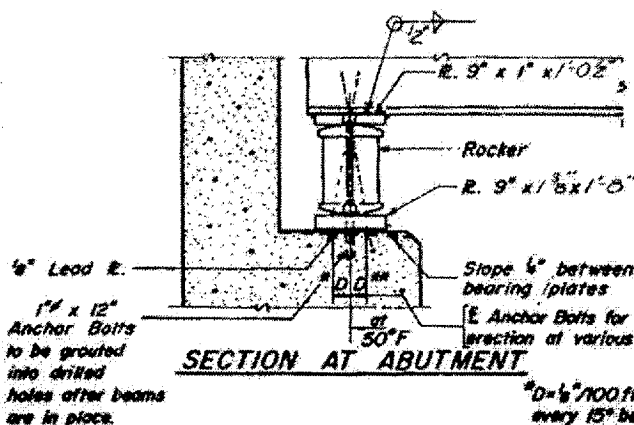
STATE OF ILLINOIS  
DEPARTMENT OF PUBLIC WORKS & BUILDINGS  
DIVISION OF HIGHWAYS

151'-0" E. Brg. - E. Brg.

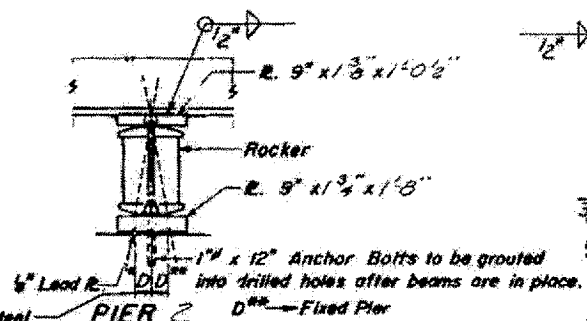
VARIOUS ROUTES  
VARIOUS COUNTIES  
D-9 BRIDGE PAINTING FY 06-1  
SHEET 22 OF 48  
CONTRACT 98941



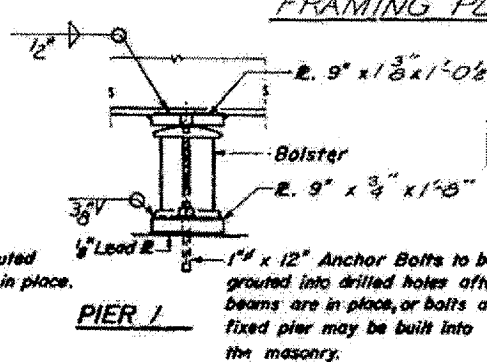
FRAMING PLAN (All beams are 33 WF130)



SECTION AT ABUTMENT

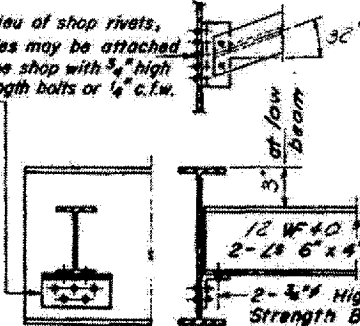


PIER 2

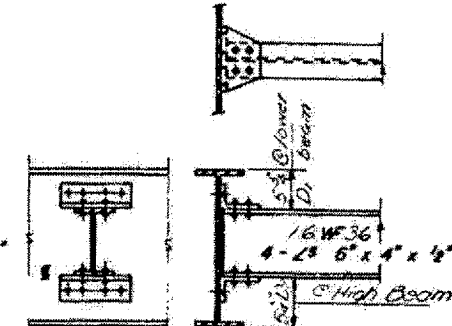


PIER 1

In lieu of shop rivets, angles may be attached in the shop with 3/4" high strength bolts or 1/4" c.f.w.

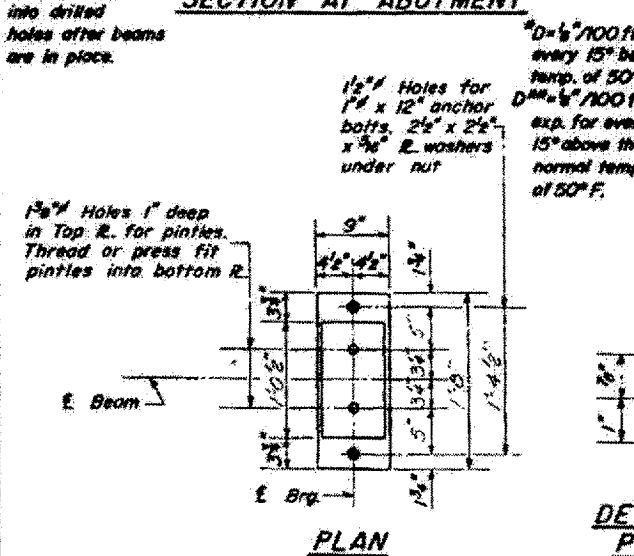


DIAPHRAGM D  
20 Required



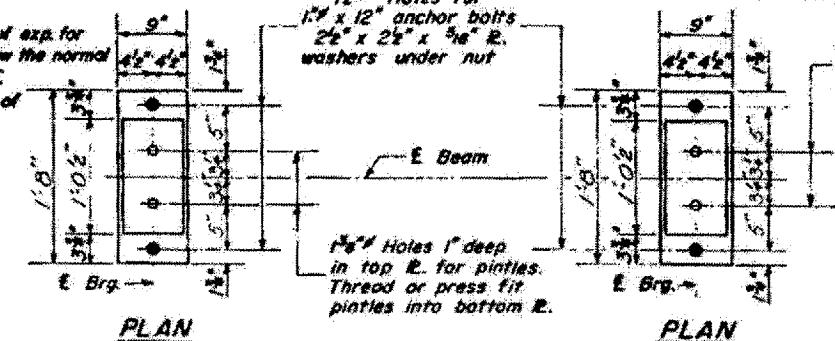
DIAPHRAGM D1 & D2  
30 D1 Required  
40 D2 Required

Note: See Sheet #2 for top of beam elevations & fabrication diagram.



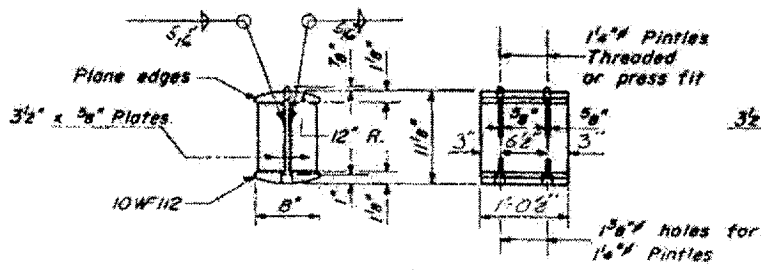
PLAN

DETAIL OF PINTLE

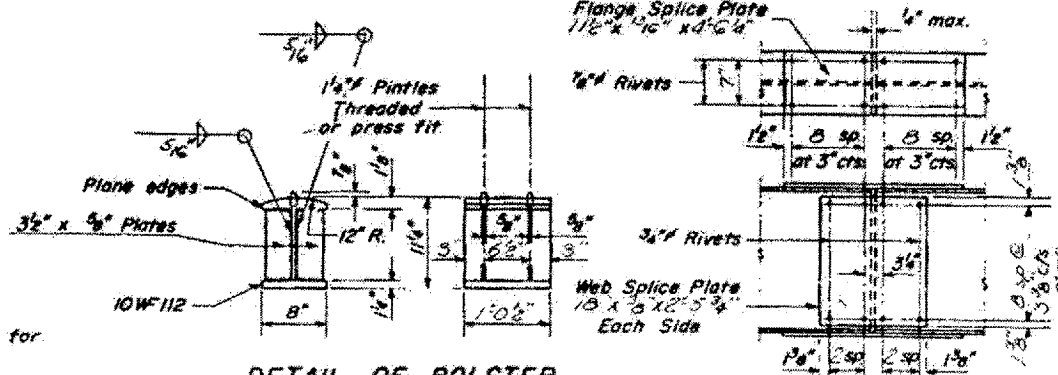


PLAN

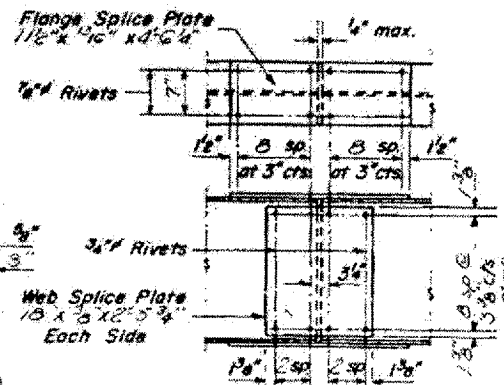
PLAN



DETAIL OF ROCKER AT ABUTTS & PIER 2



DETAIL OF BOLSTER AT PIER 1



DETAIL OF SPLICE

DESIGNED	James J. Quinn
CHECKED	James J. Quinn
DRAWN	D. Derringer Jr.
CHECKED	W. A. Soussan Jr.

EXAMINED	Dec 8 1960
PASSED	W. A. Soussan Jr.
APPROVED	W. E. Hoff

BRIDGES NO. 4 AND NO. 5  
STRUCTURES 064-0023 064-0024  
FOR INFORMATION ONLY

STRUCTURAL STEEL  
F.A. RT. 24 SEC. 64-2B-1  
MASSAC COUNTY  
STA 94+63.00