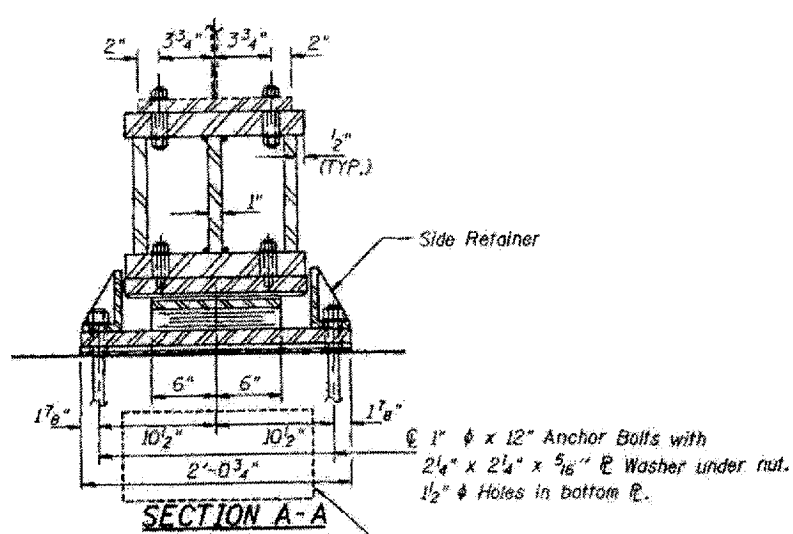
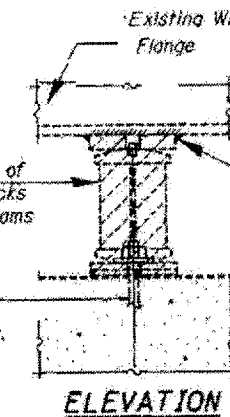


ELEVATION AT ABUT.



SECTION A-A

TYPE II ELASTOMERIC EXP. BRG.



ELEVATION

Hatched areas indicate removal of existing bearing and plates. Jacks shall be placed under exist. beams and cribbing shall be provided.

Existing top plate to be removed using the air-arc method and grind smooth all weld material remaining on the bottom flange, cost included in "Jack and Remove Existing Bearings".

BILL OF MATERIAL

ITEM	UNIT	TOTAL
ELASTOMERIC BEARING ASSEMBLY TYPE II	EACH	12

*INTERIOR BEAM REACTION TABLE

	SERVICE LOADS
R _Q (K)	13.8
R _L (K)	34.8
Imp (K)	10.4
R Total (K)	59.0

* Min. Jack capacity at each Beam shall be 30 Tons.

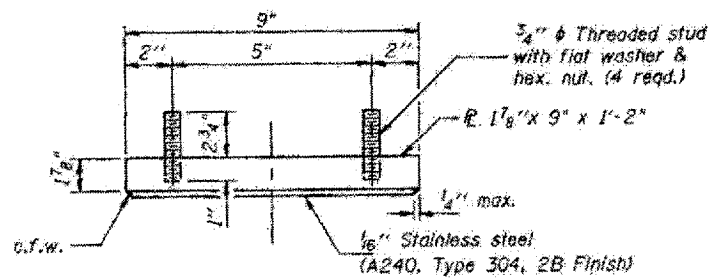
Notes:

Prior to ordering any material, the contractor shall verify in the field all bearing height dimensions.

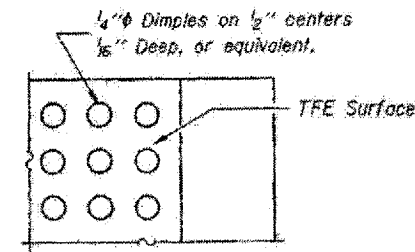
For anchor bolt installation details see sheet # 8 of 12.

New steel extensions, side retainers, connection bolts, anchor bolts, and shim plates are included in "Furnishing and Erecting Structural Steel".

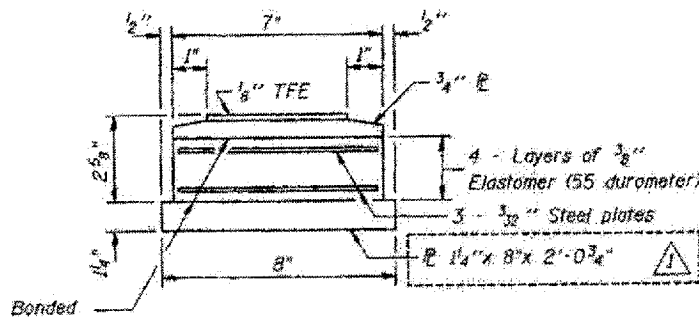
Diaphragm removal and replacement may be required to facilitate drilling holes. Cost shall be included in the cost of Furnishing and Erecting Structural Steel.



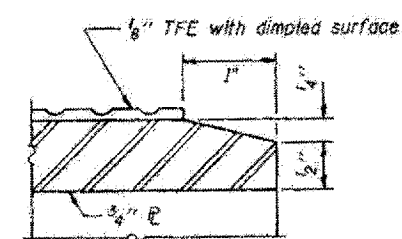
TOP BEARING ASSEMBLY



PLAN-TFE SURFACE



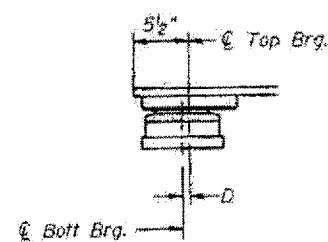
BOTTOM BEARING ASSEMBLY



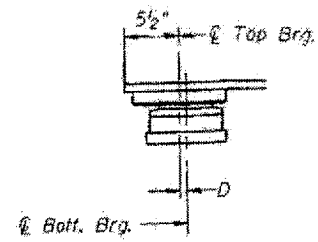
SECTION THRU TFE

NOTE: The 1/8" TFE sheet shall be bonded directly to the top steel plate with a two-component, medium viscosity epoxy resin, conforming to the requirements of the Federal Specification MMM-A-134, Type I the bond agent shall be applied on the full area of the contact surfaces.

Bonding of 1/8" TFE sheet during vulcanizing process will be permitted provided the process and method of adjusting assembly height is approved by the Engineer.



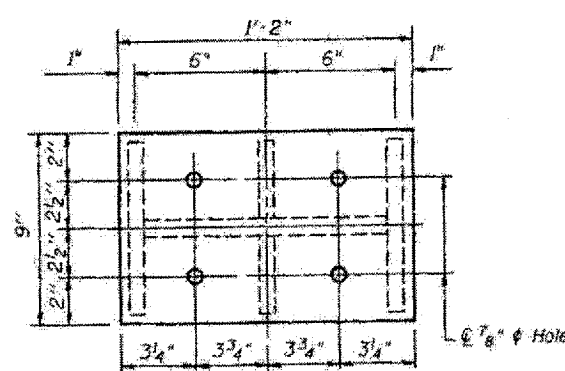
Below 50°F.
(Move bott. brg. away from fixed brg.)



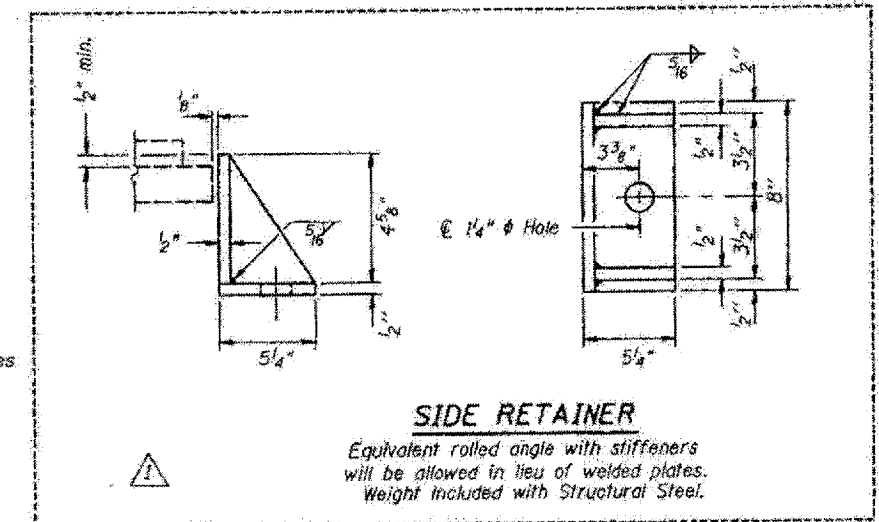
Above 50°F.
(Move bott. brg. toward fixed brg.)

SETTING ANCHOR BOLTS AT EXP. BRG.

D = 1/8" per each 100' of expansion for every 15° temp. Change from the normal temp. of 50°F.

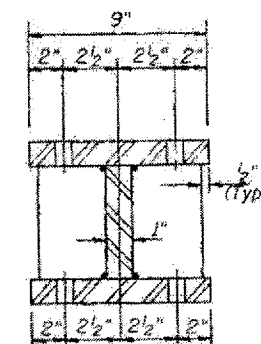


PLAN TOP AND BOTTOM PLATE

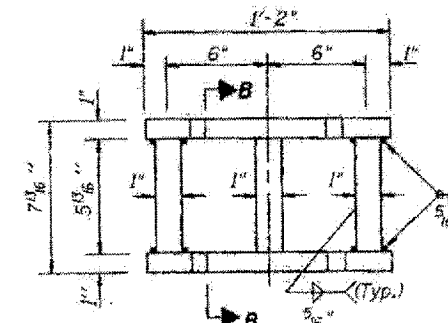


SIDE RETAINER

Equivalent rolled angle with stiffeners will be allowed in lieu of welded plates. Weight included with Structural Steel.



SECTION B-B



STEEL EXTENSION DETAIL

DESIGNED	J.C.P.
CHECKED	
DRAWN	T.F.
CHECKED	

