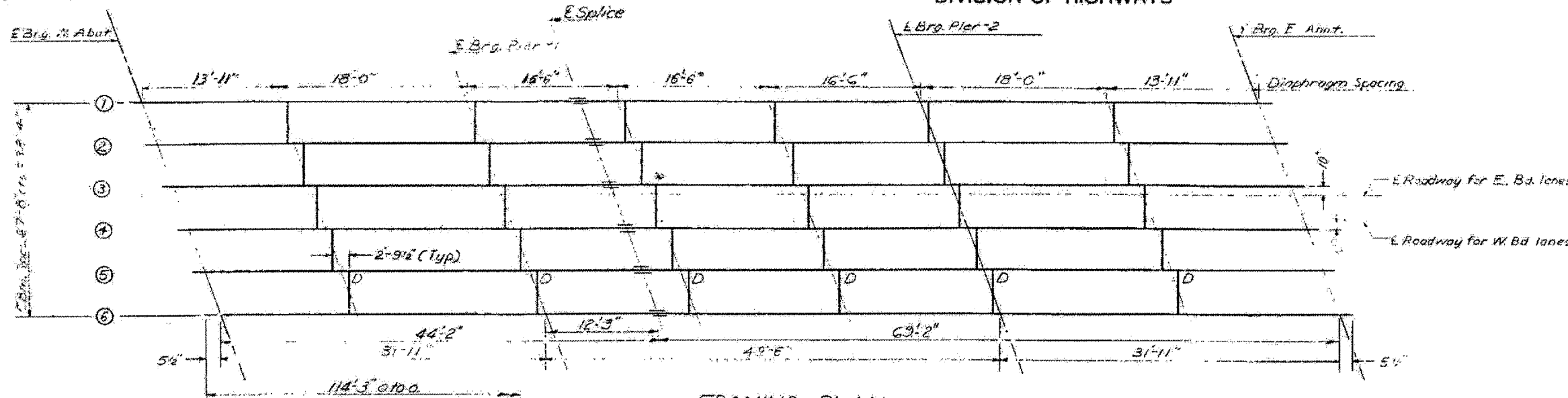


STATE OF ILLINOIS
DEPARTMENT OF PUBLIC WORKS & BUILDINGS
DIVISION OF HIGHWAYS

VARIOUS ROUTES
VARIOUS COUNTIES
D-9 BRIDGE PAINTING FY 06-1
SHEET 28 OF 48
CONTRACT 98941

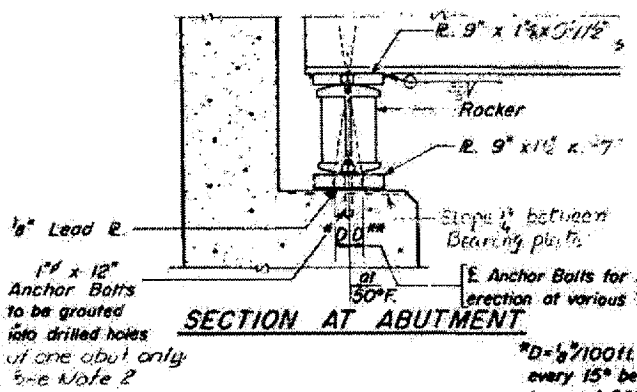


FRAMING PLAN
(All Beams 30WF108)

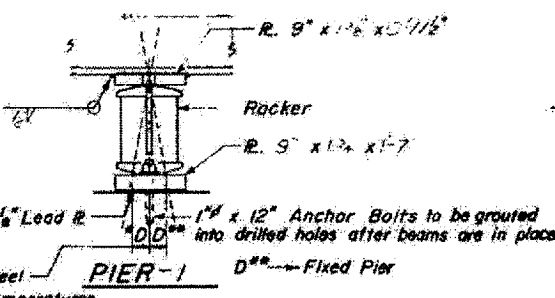
Beam Location	1	2	3	4	5	6
E. Brg. W. Abut.	400.87	400.97	401.06	400.93	400.76	400.57
E. Brg. Pier 1	400.47	400.57	400.66	400.53	400.36	400.17
E. Splice	400.32	400.42	400.51	400.38	400.21	400.02
E. Brg. Pier 2	399.84	399.94	400.03	399.90	399.73	399.54
E. Brg. E. Abut.	399.44	399.54	399.63	399.50	399.33	399.14

WEST ENDING BEAMS

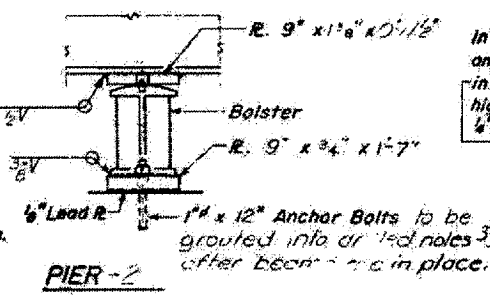
Beam Location	1	2	3	4	5	6
E. Brg. W. Abut.	401.25	401.37	401.47	401.53	401.57	401.13
E. Brg. Pier 1	400.85	400.97	401.07	401.13	400.97	400.70
E. Splice	400.70	400.82	400.92	400.98	400.82	400.64
E. Brg. Pier 2	400.22	400.34	400.44	400.50	400.34	400.16
E. Brg. E. Abut.	399.82	399.94	400.04	400.10	399.94	399.71



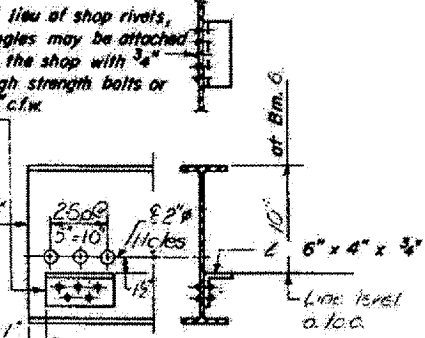
SECTION AT ABUTMENT



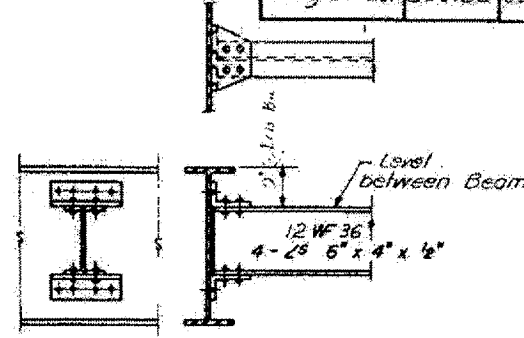
PIER-1
Fixed Pier



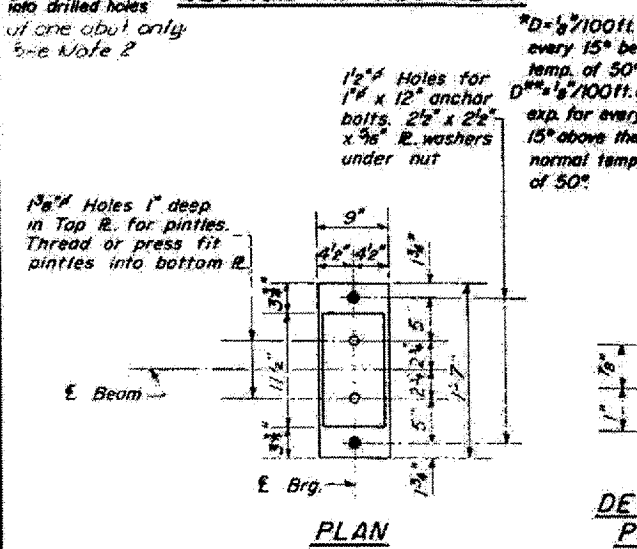
PIER-2
Bolster



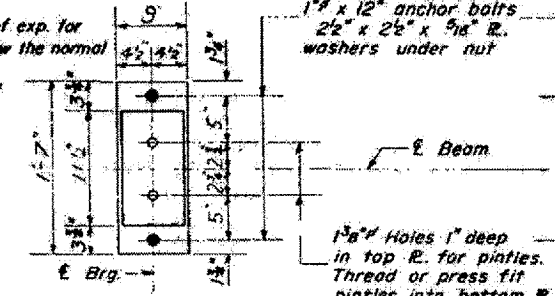
END OF BEAM DETAILS



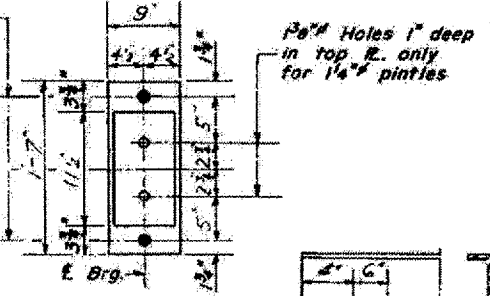
DIAPHRAGM D
60 Required



PLAN

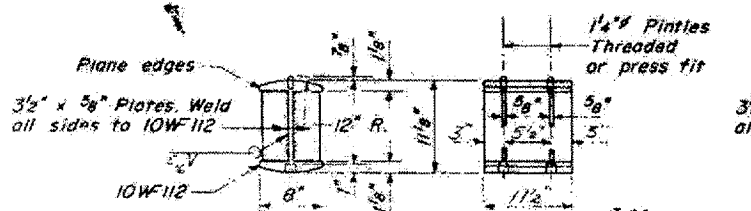


PLAN

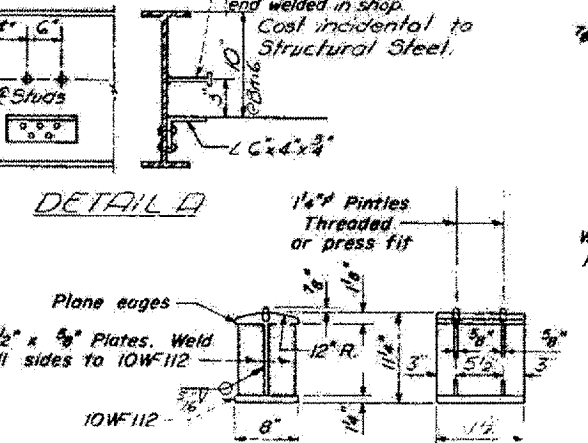


PLAN

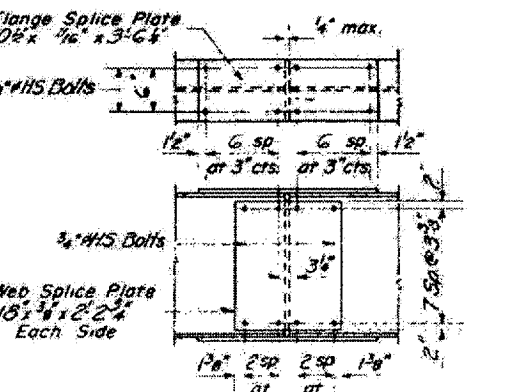
DETAIL OF PINTLE



DETAIL OF ROCKER
AT PIER-1 & ABUTMENTS



DETAIL OF BOLSTER
AT PIER-2



DETAIL OF SPLICE

TABLE OF STRESSES

Moments and Reactions - Interior Beams

	Moments (ft. kips)		Reactions (kips)	
	4 Span	Pier 1	5 Span	Pier 1
D.L.	65.37	223.51	154.57	126.09
L.L.	196.64	182.73	247.88	33.61
IMP	58.29	54.83	74.36	10.08
Total	320.30	461.07	476.81	56.38

Note: 2
For Detail of Beam Hold Down Assembly See Sheet # 6

DESIGNED: P.G. G.A.
CHECKED: P.G. Barnett
DRAWN: W.A. Sausaman Jr.
EXAMINED: Richard J. Holterman
PASSED: Richard J. Holterman
APPROVED: Richard J. Holterman

BRIDGES NO. 6 AND NO. 7
STRUCTURES 064-0025 064-0026
FOR INFORMATION ONLY
F.A.I. RT.
STAT. 139-50