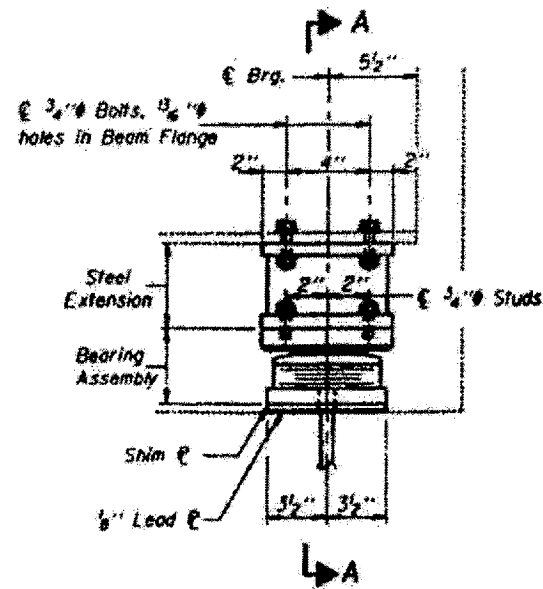


STATE OF ILLINOIS
DEPARTMENT OF TRANSPORTATION

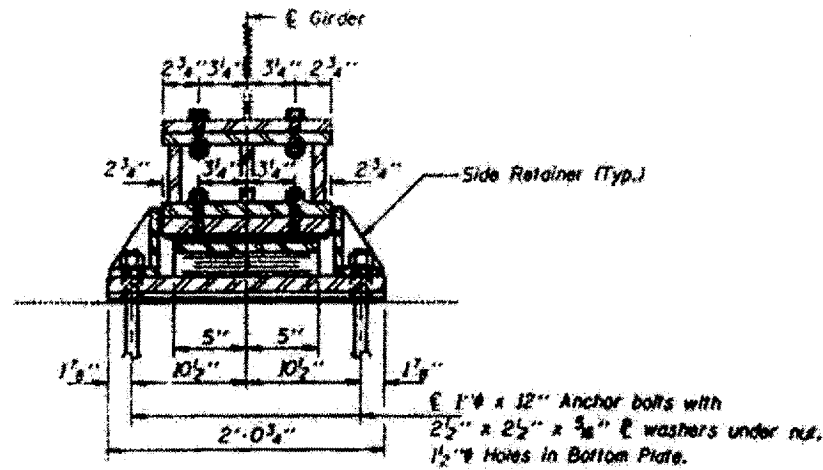
GIRDER REACTIONS

RR	(K)	17.3
R1	(K)	13.6
Imp.	(K)	10.1
R 0' 10"	(K)	56.5

VARIOUS ROUTES
VARIOUS COUNTIES
D-9 BRIDGE PAINTING FY 06-1
SHEET 29 OF 48
CONTRACT 98941

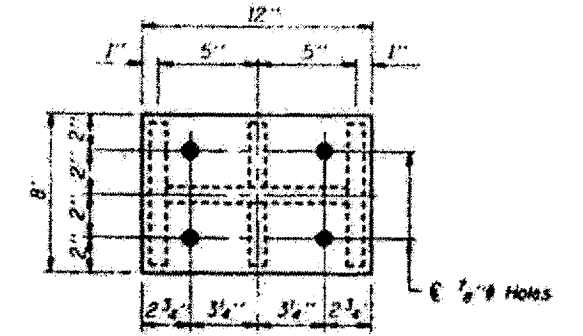


ELEVATION AT EAST & WEST ABUTMENT



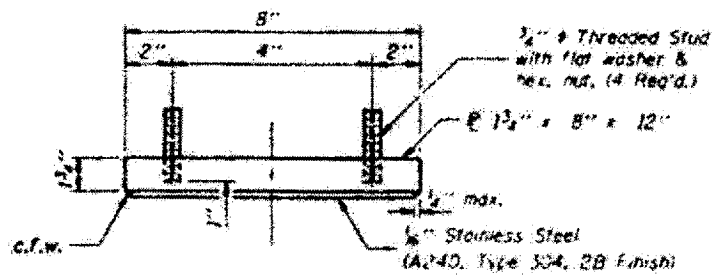
SECTION A-A

Notes: Diaphragm removal and replacement may be required to facilitate drilling holes. Cost shall be included in the cost of "Furnishing and Erecting Structural Steel".
New steel extensions, side retainers, connection bolts, anchor bolts and lead plates are included in "Furnishing and Erecting Structural Steel".
See sheet 6 for Anchor Bolt installation.
Prior to ordering any material, the Contractor shall verify in the field all bearing height and shim thickness dimensions.
Minimum Jack capacity = 25 tons.

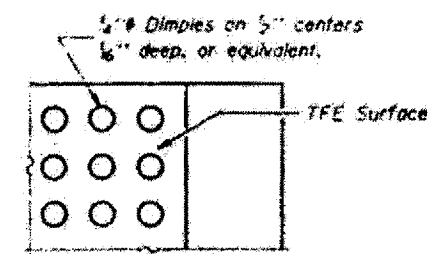


PLAN TOP AND BOTTOM PLATE

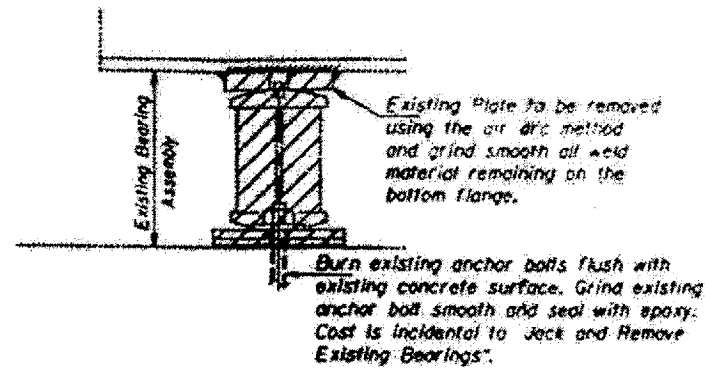
TYPE II TFE ELASTOMERIC EXP. BRG.



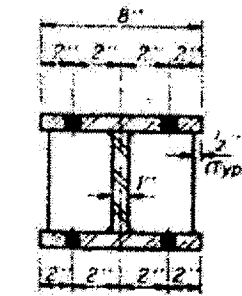
TOP BEARING ASSEMBLY



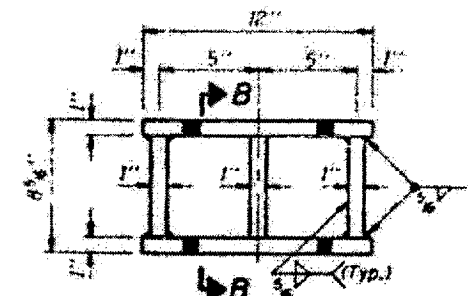
PLAN-TFE SURFACE



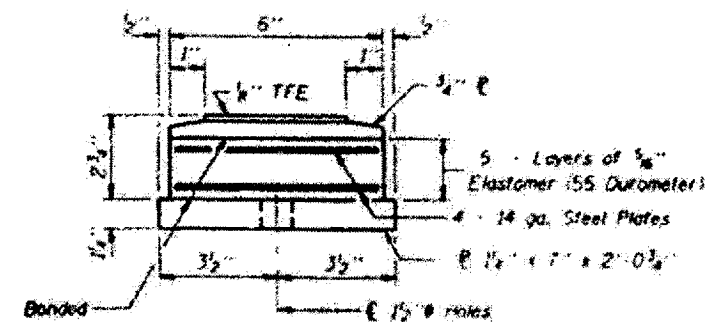
EXISTING BEARING REMOVAL DETAIL



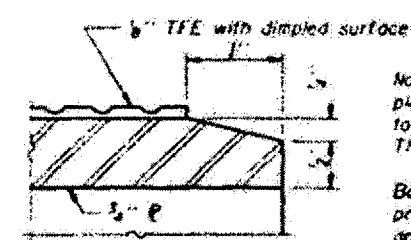
SECTION B-B



STEEL EXTENSION DETAIL



BOTTOM BEARING ASSEMBLY



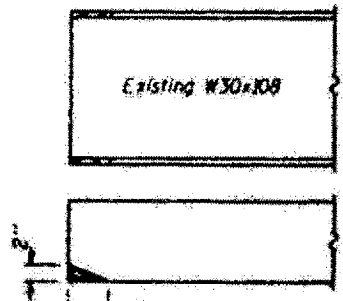
SECTION THRU TFE

Note: The 1/8" TFE sheet shall be bonded directly to the top steel plate with a two-component, medium viscosity epoxy resin, conforming to the requirements of the Federal Specification MM-A-154, Type I. The bond agent shall be applied on the full area of the contact surfaces.

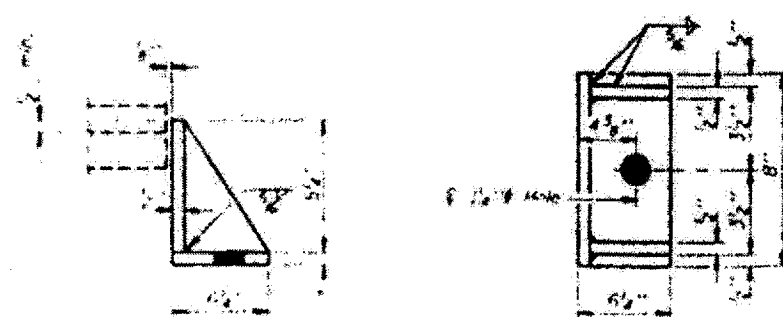
Bonding of 1/8" TFE sheet during vulcanizing process will be permitted provided the process and method of adjusting assembly height is approved by the Engineer.

BILL OF MATERIAL

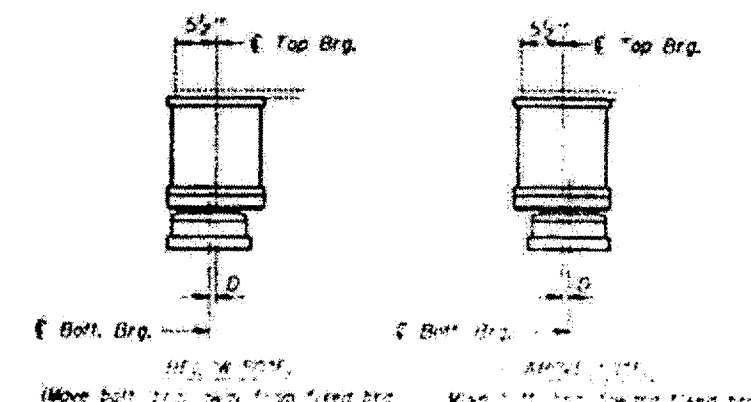
Item	Unit	Total
Elastomeric Bearing Assembly Type II	Each	12
Jack and Remove Existing Bearings	Each	12



FLANGE CLIP DETAIL



SIDE RETAINER



SETTING ANCHOR BOLTS AT EXP. BRG.

DESIGNED	M.J.
CHECKED	
DRAWN	M.J.
CHECKED	

APRIL 2, 1998
 EXAMINED
 DRAWN
 CHECKED

BRIDGES NO. 6 AND NO. 7
STRUCTURES 064-0025 064-0026
FOR INFORMATION ONLY

BEARING REPLACEMENT
EAST AND WEST ABUTMENTS
F.A.I. 24 SEC. 64-2HB-2
MASSAC COUNTY
STA. 139+50
S.N. 064-0025