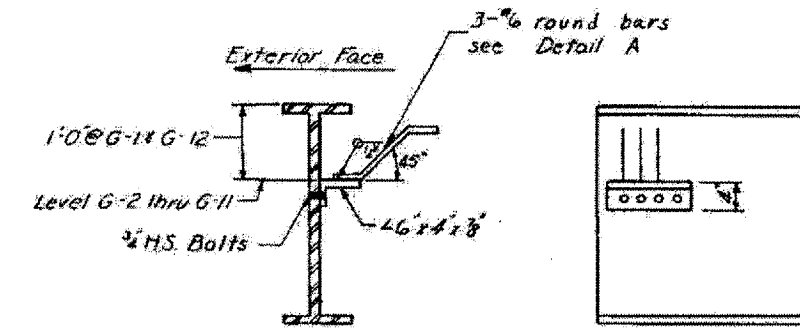
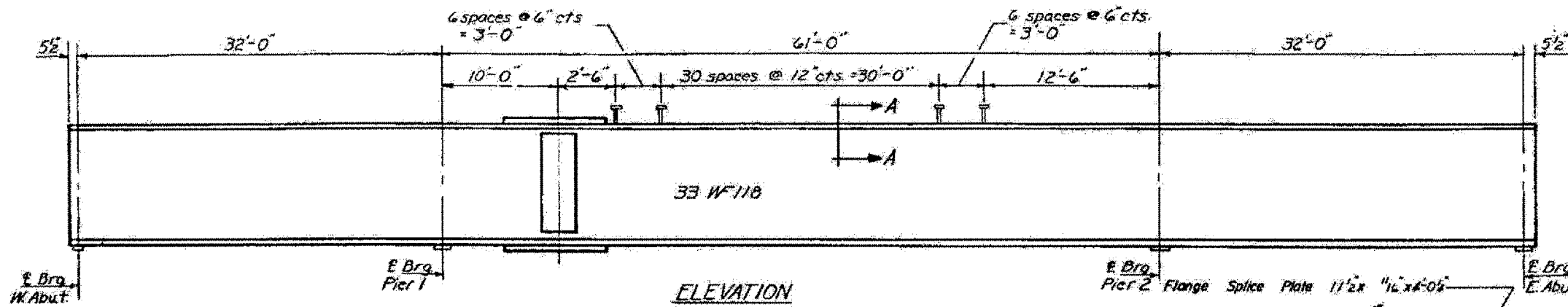


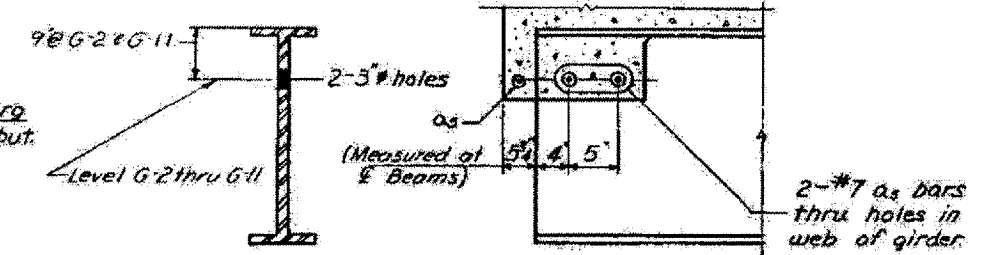
PLAN



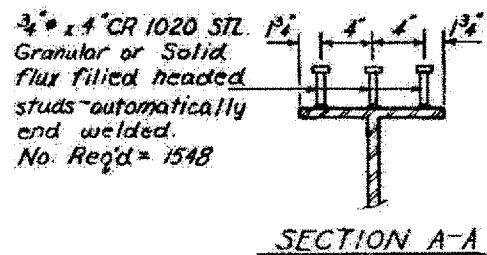
EXTERIOR GIRDER
AT ABUTMENTS



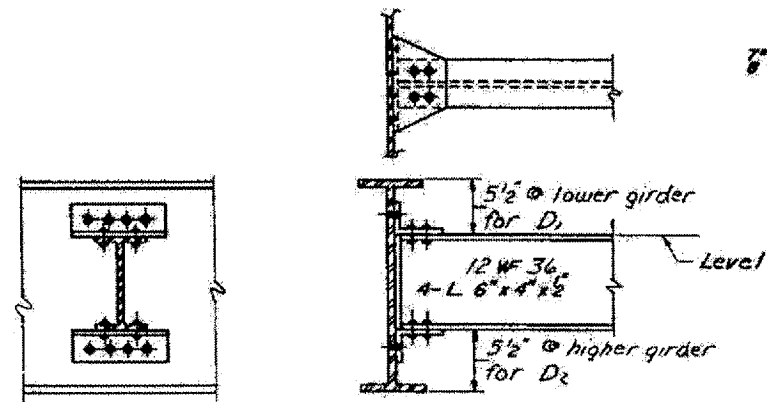
ELEVATION



INTERIOR GIRDER
AT ABUTMENTS

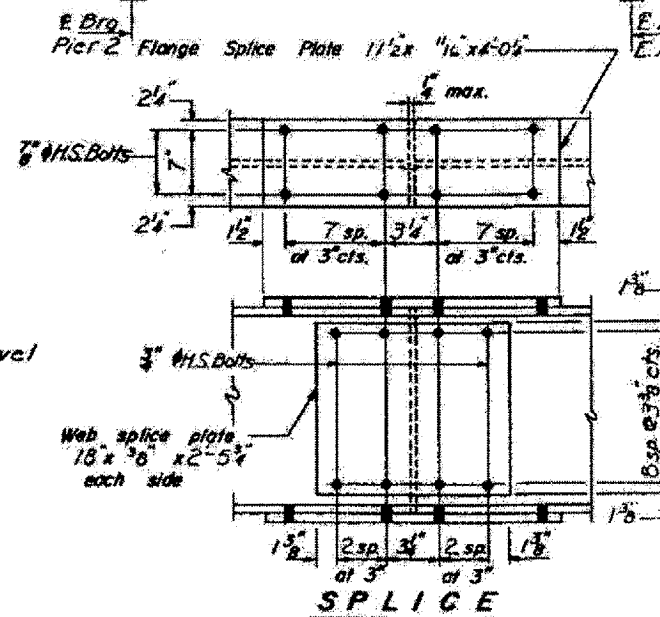


SECTION A-A

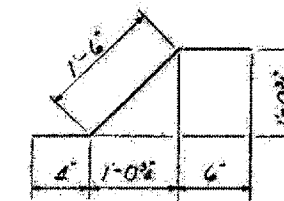


DIAPHRAGM D1 & D2

40 D1 Required
20 D2 Required



SPLICE



Detail A

DESIGNED	James Hamilton
CHECKED	Cheremali
DRAWN	WILKINS
CHECKED	A A

EXAMINED	FEB 14 1969
PASSED	W. Baseman

BRIDGES NO. 8 AND NO. 9
STRUCTURES 064-0027 064-0028
FOR INFORMATION ONLY

FAI RT 24 SEC. 64-3HB
MASSAC COUNTY
STA. 240+78.10