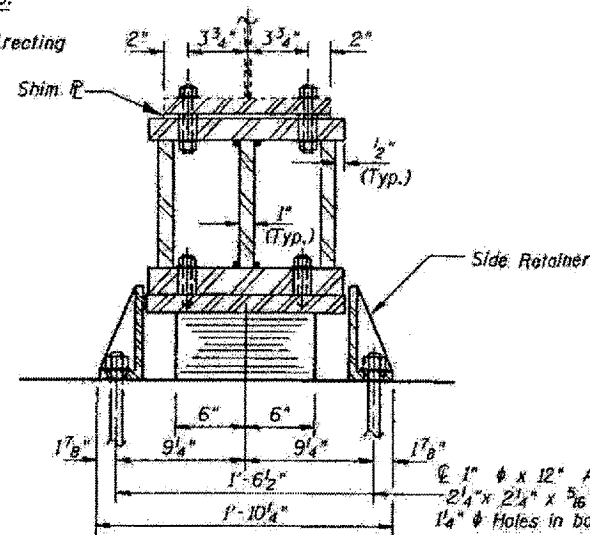


ELEVATION

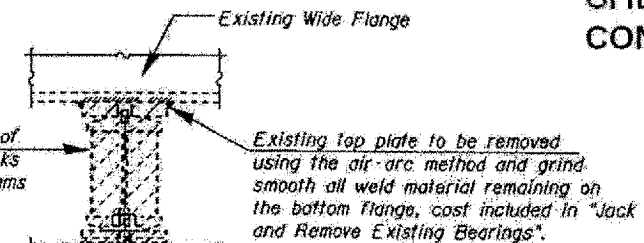


SECTION A-A

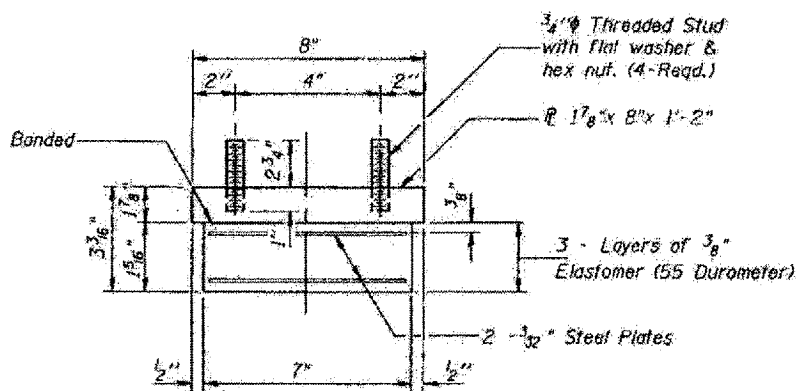
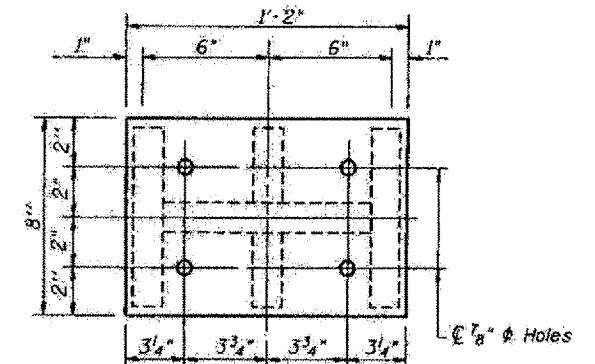
TYPE I ELASTOMERIC BEARING WEST ABUT.

Hatched areas indicate removal of existing bearing and plates. Jacks shall be placed under exist. beams and cribbing shall be provided.

Burn existing anchor bolts flush with concrete surface. Grind existing anchor bolt smooth and seal with epoxy. Cost is included with "Jack and Remove Existing Bearings".



ELEVATION



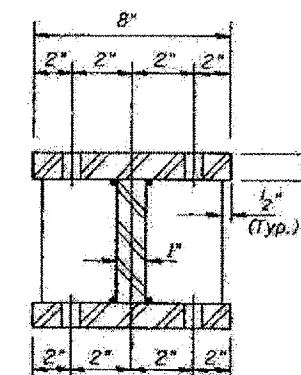
BEARING ASSEMBLY

Note: Shim plates shall not be placed under Bearing Assembly

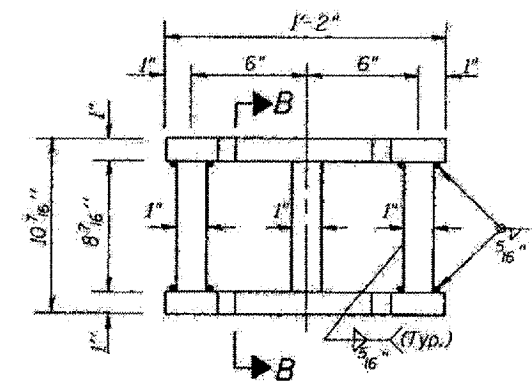
*INTERIOR BEAM REACTION TABLE

	SERVICE LOADS
R D (K)	13.8
R U (K)	34.8
Imp (K)	10.4
R Total (K)	59.0

* Min. Jack capacity at each beam shall be 30 Tons.



SECTION B-B



STEEL EXTENSION AT WEST ABUT.

BILL OF MATERIAL

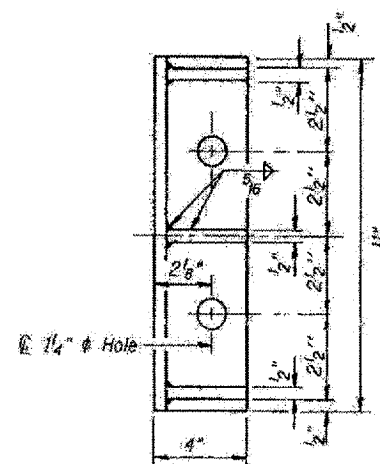
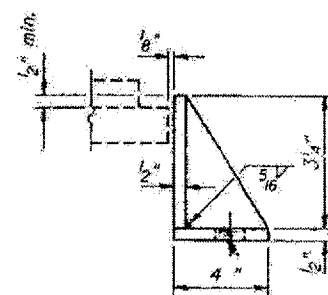
ITEM	UNIT	TOTAL
ELASTOMERIC BEARING ASSEMBLY TYPE I	EACH	12

Notes:

Prior to ordering any material, the contractor shall verify in the field all bearing height dimensions and shim thickness dimensions.

For anchor bolt installation details see sheet # 8 of 12.

New steel extensions, side retainers, connection bolts, anchor bolts, and shim plates are included in "Furnishing and Erecting Structural Steel".



SIDE RETAINER

Equivalent rolled angle with stiffeners will be allowed in lieu of welded plates. Weight included with Structural Steel.

DESIGNED	J.C.P.
CHECKED	
DRAWN	T.F.
CHECKED	