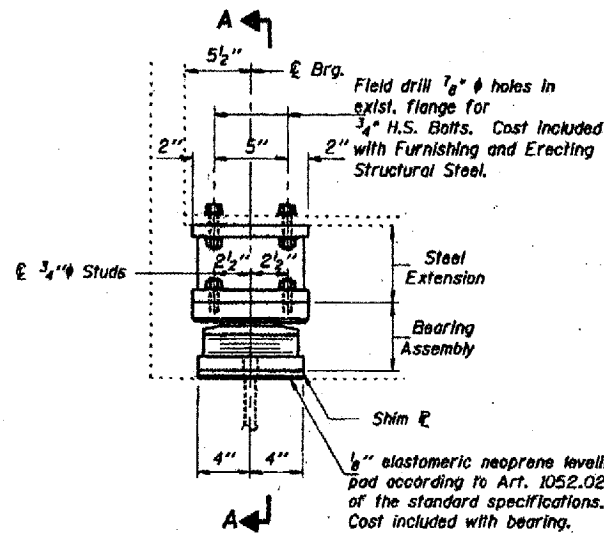


STATE OF ILLINOIS
DEPARTMENT OF TRANSPORTATION

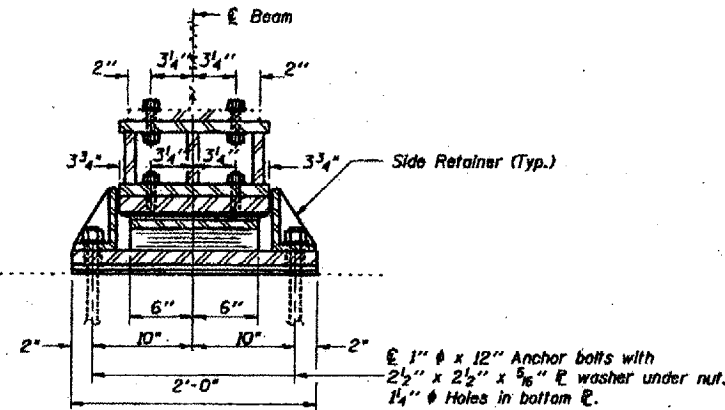
GIRDER REACTIONS

RP	(K)	23.0
Rt	(K)	39.7
Imp.	(K)	11.5
R (Total)	(K)	74.2

VARIOUS ROUTES
VARIOUS COUNTIES
D-9 BRIDGE PAINTING FY 06-1
CONTRACT 98941
SHEET 40 OF 48



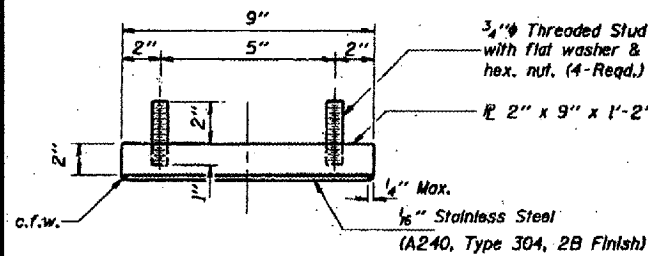
ELEVATION AT EAST ABUTMENT



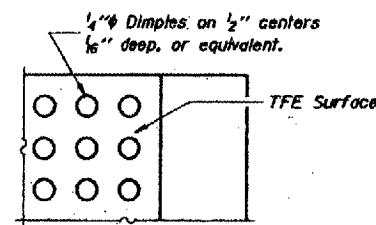
SECTION A-A

Notes: Diaphragm removal and replacement may be required to facilitate drilling holes. Cost shall be included with Furnishing and Erecting Structural Steel.
New steel extensions, side retainers, shim ϵ 's, connection bolts, and anchor bolts are included with Furnishing and Erecting Structural Steel.
See Sheet 12 of 12 for Anchor Bolt Installation.
Prior to ordering any material, the Contractor shall verify in the field all bearing height and shim thickness dimensions.
Min. Jack capacity = 40 Tons.

TYPE II TFE ELASTOMERIC EXP. BRG.



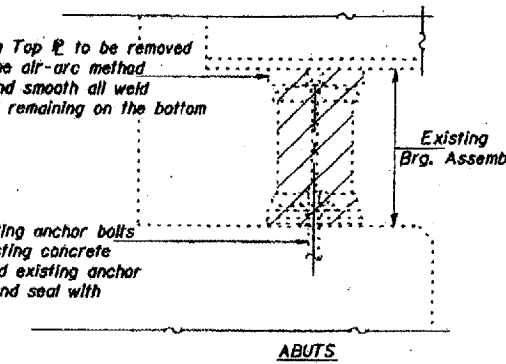
TOP BEARING ASSEMBLY



PLAN-TFE SURFACE

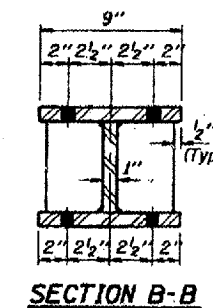
* Existing Top ϵ to be removed using the air-arc method and grind smooth all weld material remaining on the bottom flange.

* Burn the existing anchor bolts flush with existing concrete surface. Grind existing anchor bolts smooth and seal with epoxy.

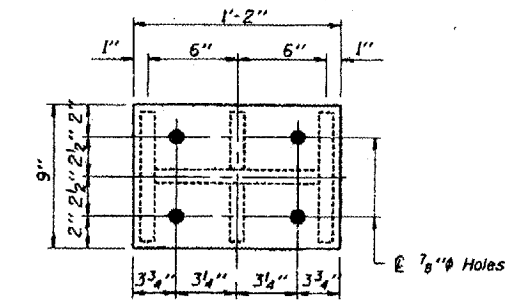


EXISTING BEARING REMOVAL DETAIL

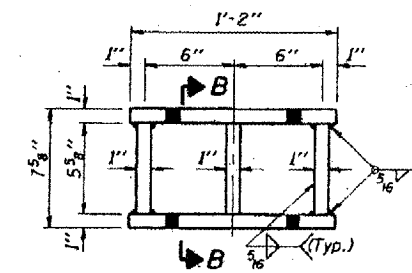
* Cost is included with Jack and Remove Existing Bearings



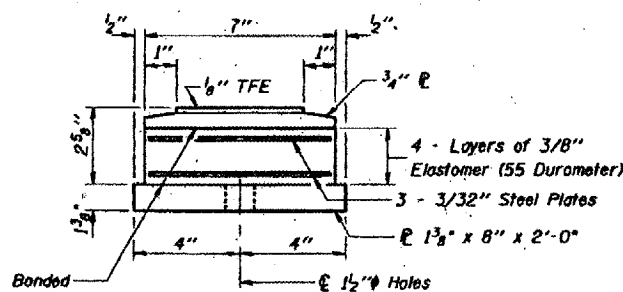
SECTION B-B



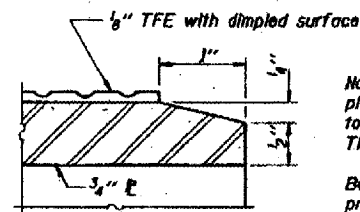
PLAN TOP AND BOTTOM PLATE



STEEL EXTENSION DETAIL



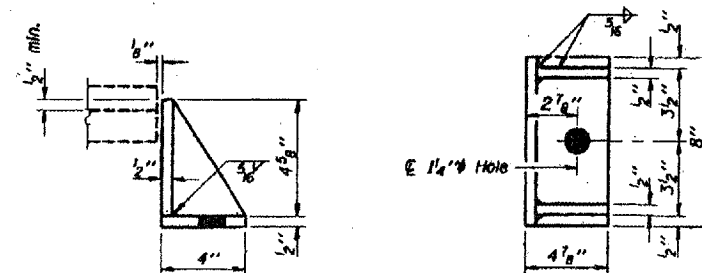
BOTTOM BEARING ASSEMBLY



SECTION THRU TFE

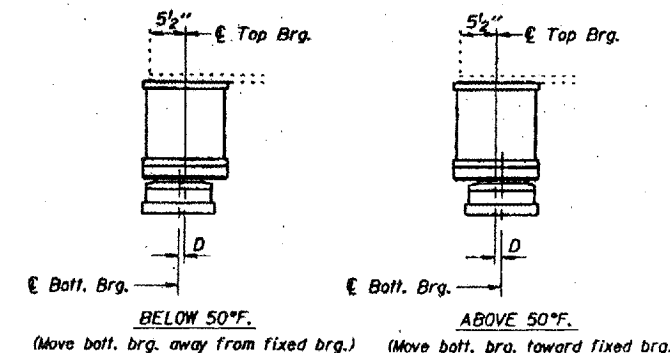
Note: The $\frac{1}{8}$ " TFE sheet shall be bonded directly to the top steel plate with a two-component, medium viscosity epoxy resin, conforming to the requirements of the Federal Specification MMM-A-134, Type I. The bond agent shall be applied on the full area of the contact surfaces.

Bonding of $\frac{1}{8}$ " TFE sheet during vulcanizing process will be permitted provided the process and method of adjusting assembly height is approved by the Engineer.



SIDE RETAINER

Equivalent rolled angle with stiffeners will be allowed in lieu of welded plates.



SETTING ANCHOR BOLTS AT EXP. BRG.

D = $\frac{1}{8}$ " per each 100' of expansion for every 15° temp. change from the normal temp. of 50°F.

BILL OF MATERIAL

Item	Unit	Total
Elastomeric Bearing Assembly Type II	Each	6

BRIDGE NO. 10
073-0025
FOR INFORMATION ONLY

TYPE II BEARING REPLACEMENT
EAST ABUTMENT
PERRY COUNTY
S.N. 073-0025