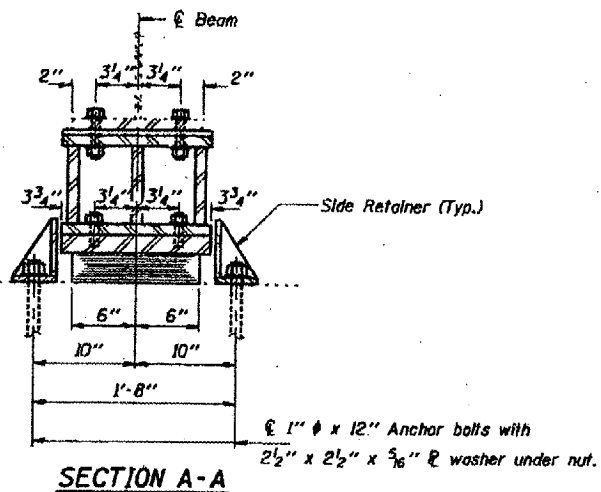
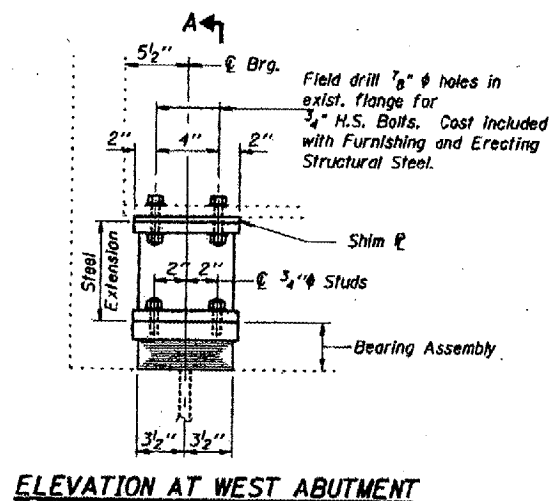


STATE OF ILLINOIS
DEPARTMENT OF TRANSPORTATION

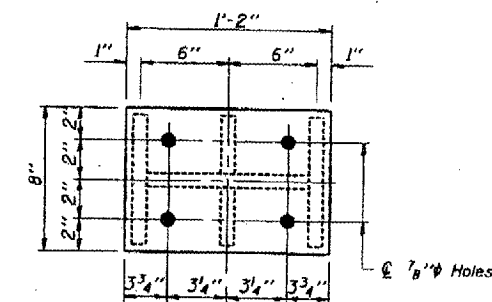
GIRDER REACTIONS

R ₁	(K)	23.0
R ₂	(K)	39.7
Imp.	(K)	11.5
R (Total)	(K)	74.2

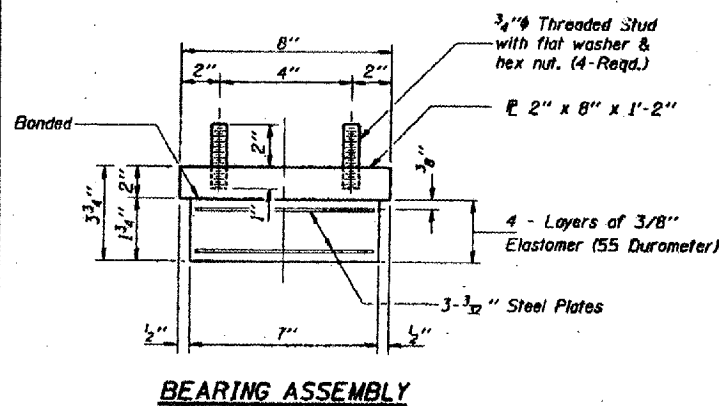
VARIOUS ROUTES
VARIOUS COUNTIES
D-9 BRIDGE PAINTING FY 06-1
CONTRACT 98941
SHEET 41 OF 48



Notes: Diaphragm removal and reinstallation may be required to facilitate drilling holes. Cost shall be included with Furnishing and Erecting Structural Steel.
New steel extensions, side retainers, shim R's, connection bolts, and anchor bolts are included with Furnishing and Erecting Structural Steel.
See Sheet 12 of 12 for Anchor Bolt Installation.
Prior to ordering any material, the Contractor shall verify in the field all bearing height and shim thickness dimensions.
Min. Jack capacity = 40 Tons.



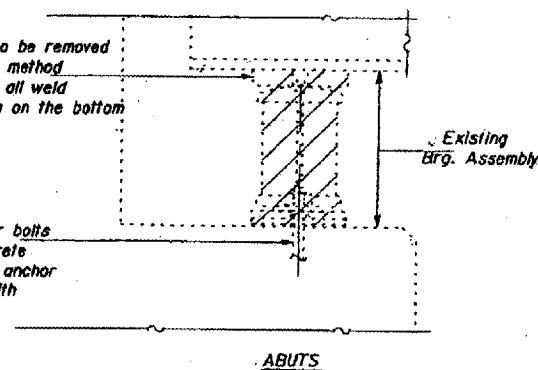
TYPE I ELASTOMERIC EXP. BRG.



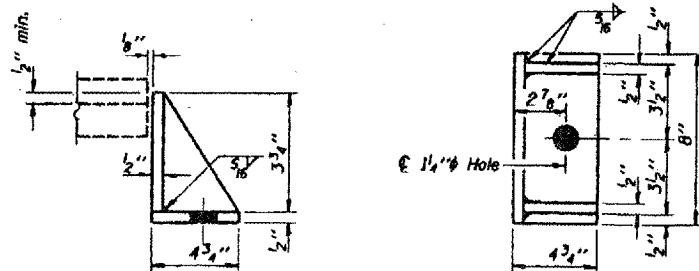
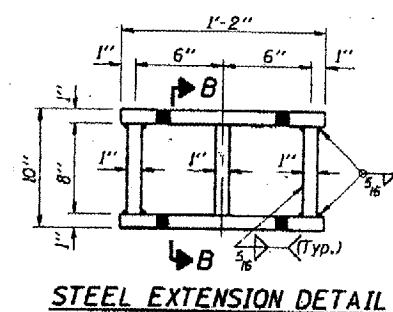
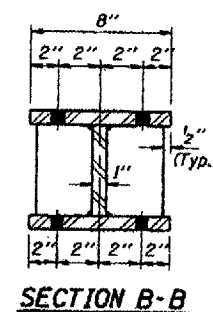
Note: Shim plates shall not be placed under Bearing Assembly.

* Existing Top R to be removed using the air-arc method and grind smooth all weld material remaining on the bottom flange.

* Burn the existing anchor bolts flush with existing concrete surface. Grind existing anchor bolts smooth and seal with epoxy.



* Cost is Included with Jack and Remove Existing Bearings



Equivalent rolled angle with stiffeners will be allowed in lieu of welded plates.

BRIDGE NO. 10
073-0025
FOR INFORMATION ONLY

BILL OF MATERIAL

Item	Unit	Total
Elastomeric Bearing Assembly Type I	Each	6

TYPE I BEARING REPLACEMENT
WEST ABUTMENT
PERRY COUNTY
S.N. 073-0025