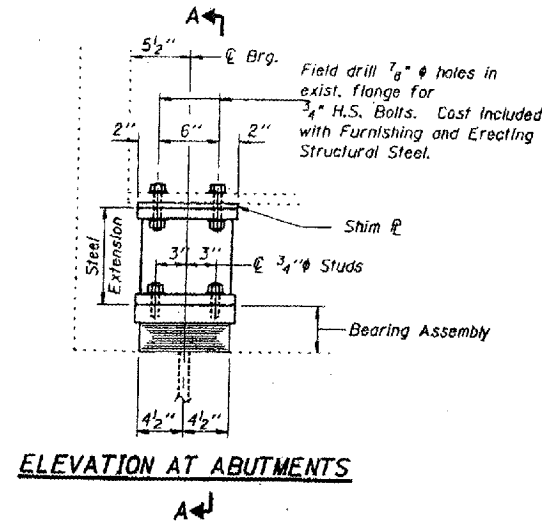


STATE OF ILLINOIS
DEPARTMENT OF TRANSPORTATION

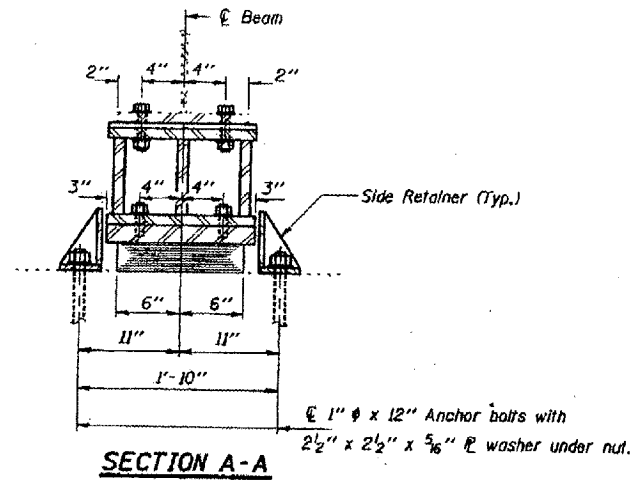
GIRDER REACTIONS

R _R	(K)	30.7
R _L	(K)	41.4
Imp.	(K)	12.5
R (Total)	(K)	84.6

VARIOUS ROUTES
VARIOUS COUNTIES
D-9 BRIDGE PAINTING FY 06-1
CONTRACT 98941
SHEET 44 OF 48

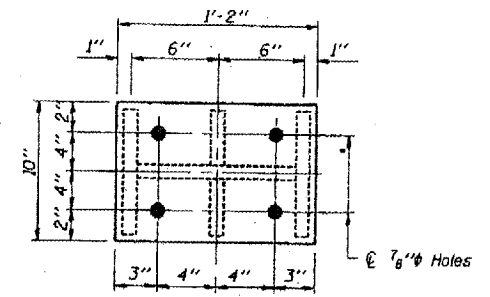


ELEVATION AT ABUTMENTS



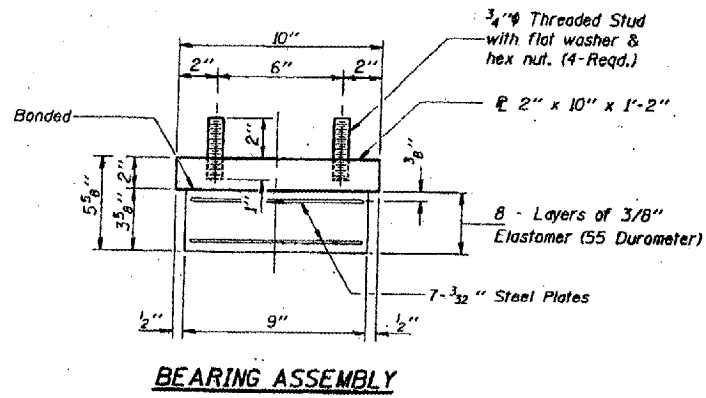
SECTION A-A

Notes: Diaphragm removal and reinstallation may be required to facilitate drilling holes. Cost shall be included with Furnishing and Erecting Structural Steel.
New steel extensions, side retainers, shim R's, connection bolts, and anchor bolts are included with Furnishing and Erecting Structural Steel.
See Sheet 12 of 12 for Anchor Bolt Installation.
Prior to ordering any material, the Contractor shall verify in the field all bearing height and shim thickness dimensions.
Min. Jack capacity = 50 Tons.



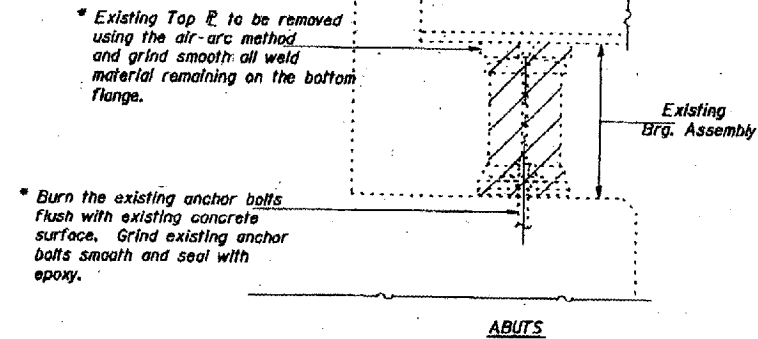
PLAN TOP AND BOTTOM PLATE

TYPE I ELASTOMERIC EXP. BRG.



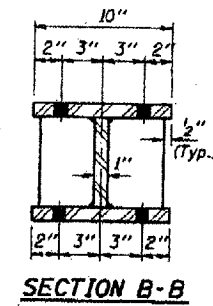
BEARING ASSEMBLY

Note: Shim plates shall not be placed under Bearing Assembly.

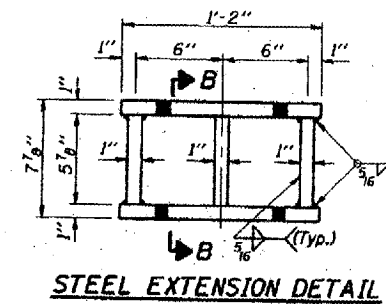


EXISTING BEARING REMOVAL DETAIL

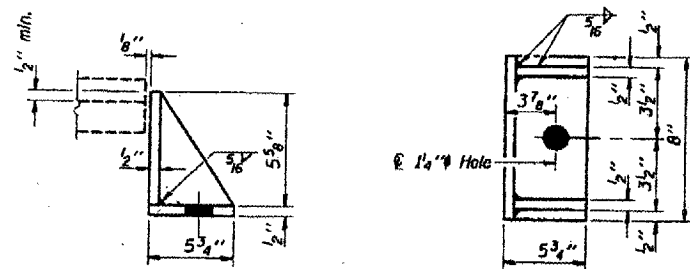
* Cost is included with Jack and Remove Existing Bearings



SECTION B-B



STEEL EXTENSION DETAIL



SIDE RETAINER

Equivalent rolled angle with stiffeners will be allowed in lieu of welded plates.

BRIDGE NO. 11
073-0026
FOR INFORMATION ONLY

BILL OF MATERIAL

Item	Unit	Total
Elastomeric Bearing Assembly Type I	Each	12

TYPE I BEARING REPLACEMENT
ABUTMENTS
PERRY COUNTY
S.N. 073-0026