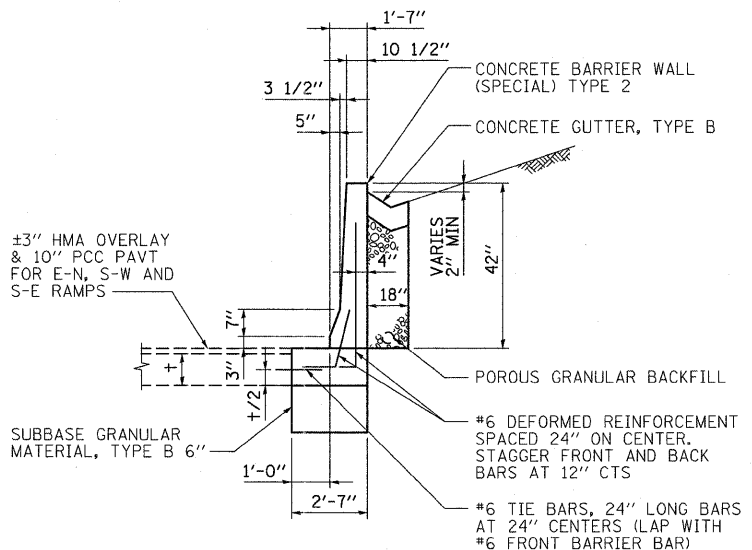
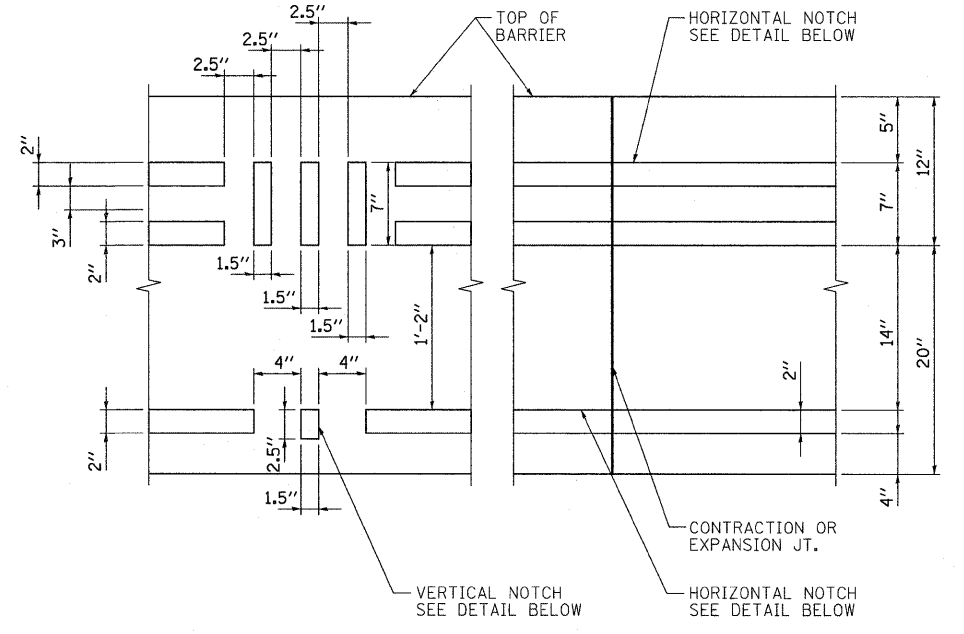


CONCRETE BARRIER WALL (SPECIAL) TYPE 1 DETAIL
NTS



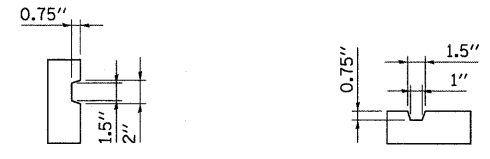
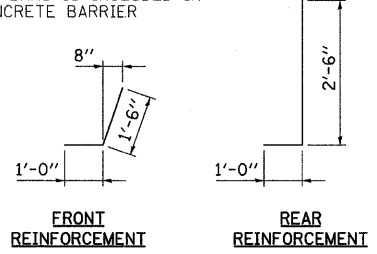
CONCRETE BARRIER WALL (SPECIAL) TYPE 2 DETAIL
NTS



NOTCH LAYOUT DETAIL

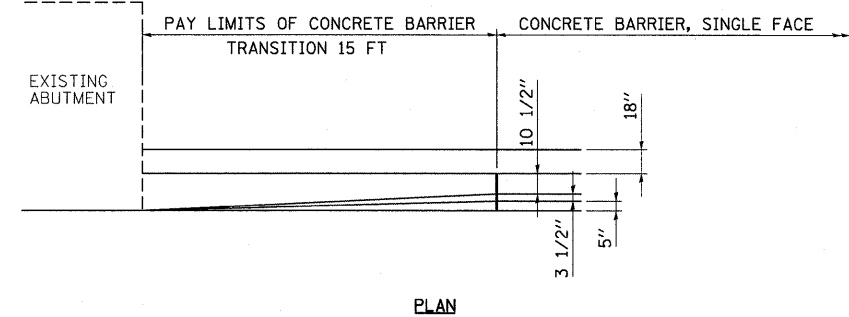
NOTE:

COST OF FABRICATION AND INSTALLATION OF REINFORCEMENT BARS IS INCLUDED IN PAYMENT FOR CONCRETE BARRIER

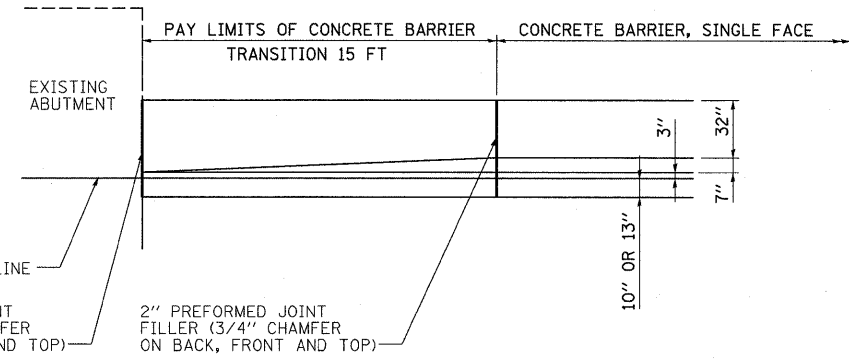


HORIZONTAL NOTCH DETAIL **VERTICAL NOTCH DETAIL**

NOTCH DETAILS (FOR CONCRETE BARRIER WALL (SPECIAL) TYPES 1, 2 AND 3)
NTS

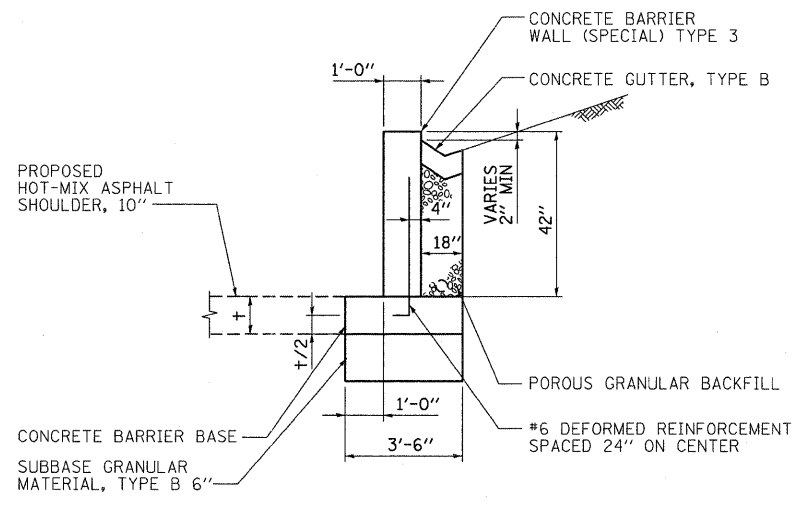


PLAN

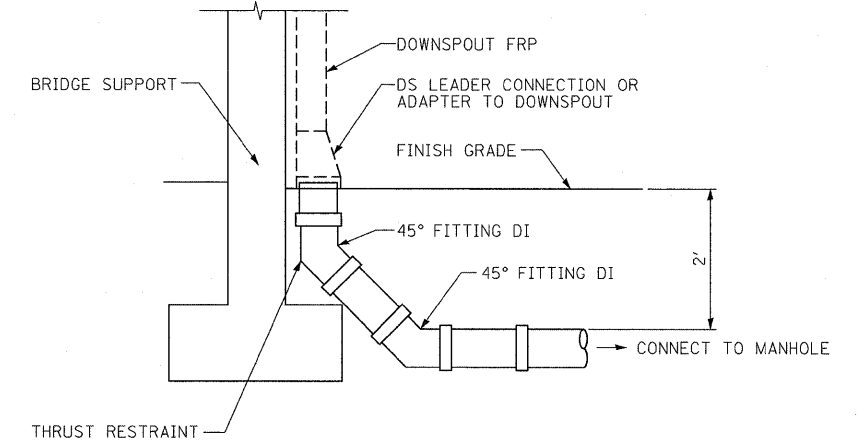


ELEVATION

TYPICAL BARRIER TRANSITION TO ABUTMENT
NTS



CONCRETE BARRIER WALL (SPECIAL) TYPE 3 DETAIL
NTS



DOWNSPOUT CONNECTION DETAIL
NTS

FILE NAME =	USER NAME = USER:3690
67.D60P67-sht-details.dgn	
PLOT SCALE = 1:2	
PLOT DATE = 9/8/2011	

DESIGNED - DLD	REVISED -
DRAWN - ED	REVISED -
CHECKED - AAC	REVISED -
DATE - 08/04/11	REVISED -

**STATE OF ILLINOIS
DEPARTMENT OF TRANSPORTATION**

DETAILS

SCALE: NONE SHEET NO. 1 OF 1 SHEETS STA. TO STA.

F.A.I. RTE. 90/94 7290	SECTION 2011-055-I	COUNTY COOK	TOTAL SHEETS 107	SHEET NO. 68
				CONTRACT NO. 60P67
ILLINOIS FED. AID PROJECT				