

STATE OF ILLINOIS
DEPARTMENT OF TRANSPORTATION

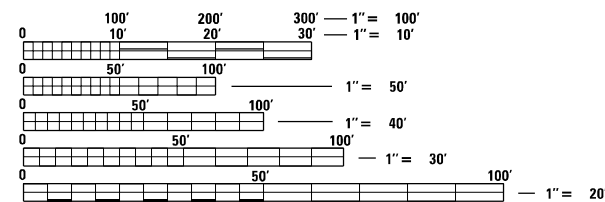
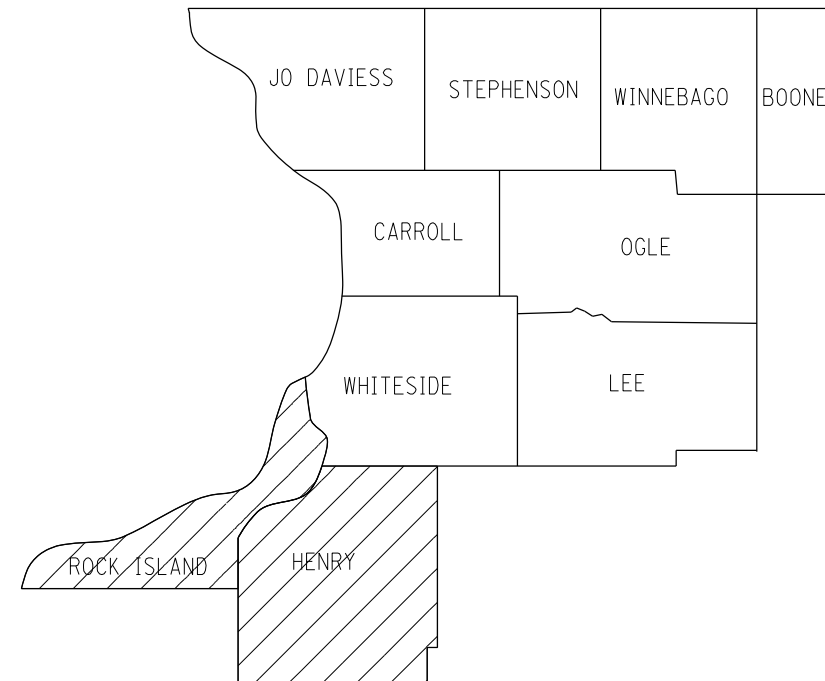
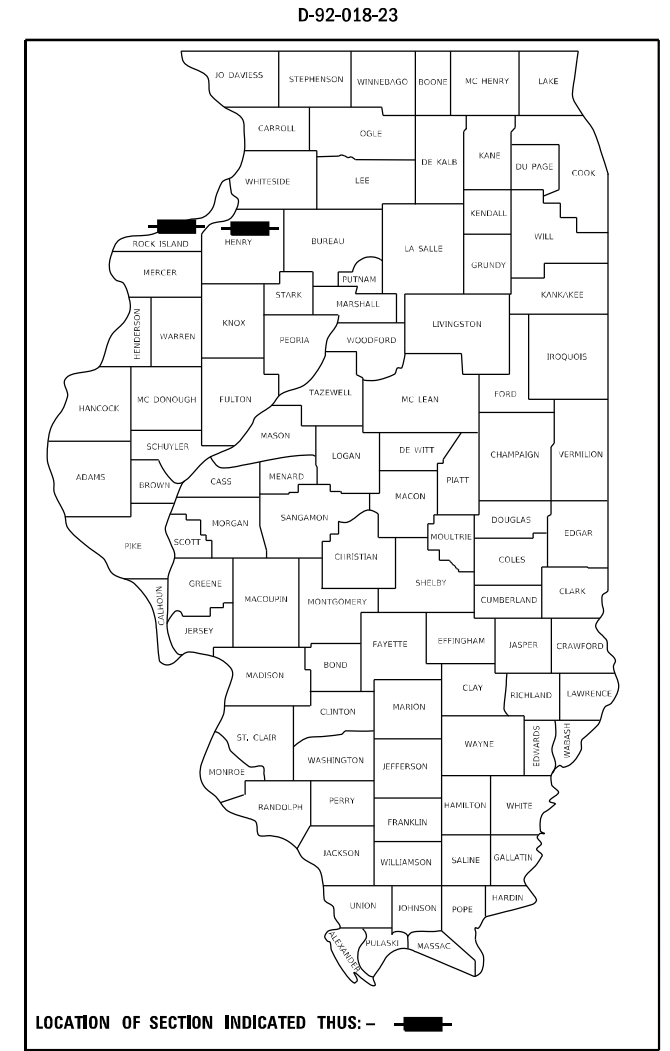
F.A. RTE.	SECTION	COUNTY	TOTAL SHEETS	SHEET NO.
VAR.	D2 BC 2023-4	VARIOUS	15	1
		ILLINOIS	CONTRACT NO. 64R83	

FOR INDEX OF SHEETS, SEE SHEET NO. 2
FOR STATE STANDARDS, SEE SHEET NO. 2

PROPOSED HIGHWAY PLANS

VARIOUS ROUTES
SECTION: D2 BC 2023-04
PROJECT: STP-G2GQ(128)
TYPE of IMPROVEMENT: BRIDGE WASHING
HENRY & ROCK ISLAND COUNTIES

C-92-107-22



FULL SIZE PLANS HAVE BEEN PREPARED USING STANDARD ENGINEERING SCALES, REDUCED SIZED PLANS WILL NOT CONFORM TO STANDARD SCALES. IN MAKING MEASUREMENTS ON REDUCED PLANS, THE ABOVE SCALES MAY BE USED.

J.U.L.I.E.
JOINT UTILITY LOCATION INFORMATION FOR EXCAVATION
1-800-892-0123
OR 811

PROJECT ENGINEER: DAVID DOSS (815) 284-5416
PROJECT MANAGER: MAHMOUD ETEMADI (815) 284-5393

CONTRACT NO. 64R83

STATE OF ILLINOIS
DEPARTMENT OF TRANSPORTATION

SUBMITTED Aug 15, 2022
[Signature]
REGIONAL ENGINEER

October 14, 2022
[Signature]
ENGINEER OF DESIGN AND ENVIRONMENT

October 14, 2022
[Signature]
DIRECTOR OF HIGHWAYS PROJECT IMPLEMENTATION

PRINTED BY THE AUTHORITY
OF THE STATE OF ILLINOIS

INDEX OF SHEETS

- 1 COVER SHEET
- 2 INDEX OF SHEETS & STATE STANDARDS
- 3 SUMMARY OF QUANTITIES
- 4 SCHEDULE OF QUNATITIES
- 5 LOCATION MAP ROCK ISLAND COUNTY
- 6 LOCATION MAP HENRY COUNTY
- 7-10 WORK ZONE SIGN DETAILS (DIST STD 34.1)
- 11 URBAN LANE INSIDE CLOSURE, MULTILANE, 2-WAY, WITH MOUNTABLE MEDIAN (DIST STD 35.1)
- 12-15 TRAFFIC CONTROL FOR TRANSITION AREAS (DIST STD 38.1)

STATE STANDARDS

- 701006-05 OFF-ROAD OPERATIONS, 2L, 2W, 15'(4.5m) TO 24" (600mm) FROM PAVEMENT EDGE
- 701101-05 OFF-ROAD OPERATIONS, MULTILANE, 15'(4.5m) TO 24"(600mm) FROM PAVEMENT EDGE
- 701301-04 LANE CLOSURE, 2L, 2W, SHORT TIME OPERATIONS
- 701400-11 APPROACH TO LANE CLOSURE, FREEWAY/EXPRESSWAY
- 701406-13 LANE CLOSURE, FREEWAY/EXPRESSWAY, DAY OPERATIONS ONLY
- 701411-09 LANE CLOSURE, MULTILANE, AT ENTRANCE OR EXIT RAMP FOR SPEEDS \geq 45 MPH
- 701421-08 LANE CLOSURE, MULTILANE, DAY OPERATIONS ONLY, FOR SPEEDS \geq 45 TO 55 MPH
- 701606-10 URBAN SINGLE LANE CLOSURE, MULTILANE, 2W WITH MOUNTABLE MEDIAN
- 701801-06 SIDEWALK, CORNER OR CROSSWALK CLOSURE
- 701901-08 TRAFFIC CONTROL DEVICES
- 720011-01 METAL POSTS FOR SIGNS, MARKERS AND DELINEATORS
- 728001-01 TELESCOPING STEEL SIGN SUPPORT
- 729001-01 APPLICATIONS OF TYPES A & B METAL POSTS (FOR SIGNS & MARKERS)

MODEL: Default
 FILE: \\naafpc-pw-backend.com\PW\DOT\Documents\DOT Office\Dir\dir_2\Project\Operations\Bridges - Section\Bridges - Washing - Contracts\2023\64R83 Bridge Washing over Rock River (SY\CADD\64R83-ht-cover.dgn

	USER NAME = David.Doss PLOT SCALE = 100,0000 ' / in. PLOT DATE = Jun-07-2022 11:09:02 AM	DESIGNED - _____ DRAWN - _____ CHECKED - _____ DATE - _____	REVISED - _____ REVISED - _____ REVISED - _____ REVISED - _____	STATE OF ILLINOIS DEPARTMENT OF TRANSPORTATION	INDEX OF SHEETS & STATE STANDARDS	F.A. RTE. _____ VAR. _____ SECTION D2 BC 2023-4 COUNTY VARIOUS TOTAL SHEETS 15 SHEET NO. 2 CONTRACT NO. 64R83 ILLINOIS FED. AID PROJECT
				SCALE: _____ SHEET ____ OF ____ SHEETS STA. _____ TO STA. _____		

SCHEDULE OF QUANTITIES

Pay Item	Project Location	SN	Facility Carried	Feature Crossed	Bridge Location	Traffic Control
BRIDGE WASHING NO. 1	1	081-0153	Milan Beltway	Rock River	South of Rock Island	701421 701411
BRIDGE WASHING NO. 2	2	081-0047	27TH ST-Moline	Rock River	South Edge of Moline	701606 DIST STD 35.1 701801
BRIDGE WASHING NO. 3	3	081-0067	IL 92 SB (CENT FRWY)	Rock River Hennepin Canal	0.5 MI S 31ST ST R.I.	701400 701406 701411
BRIDGE WASHING NO. 4		081-0068	IL 92 NB (CENT FRWY)	Rock River Hennepin Canal	0.5 MI S 31ST ST R.I.	701400 701406 701411
BRIDGE WASHING NO. 5	4	037-0128	IL 84	Rock River	At Rock Island Co. Line	701421 DIST STD 38.1

MODEL: Default
 FILE NAME: p:\ultra-cw-beadley.com\PIV\DOT\Documents\DOT Office\District 2\Project\Operations\Bridge Section\Bridge Washing Contracts\2023\64R83 Bridge Washing over Rock River (SVC)\CADD\64R83-bridge-covers.dgn

USER NAME = David.Doss	DESIGNED - _____	REVISED - _____
	DRAWN - _____	REVISED - _____
PLOT SCALE = 100,0000' / in.	CHECKED - _____	REVISED - _____
PLOT DATE = Jun-07-2022 11:09:15 AM	DATE - _____	REVISED - _____

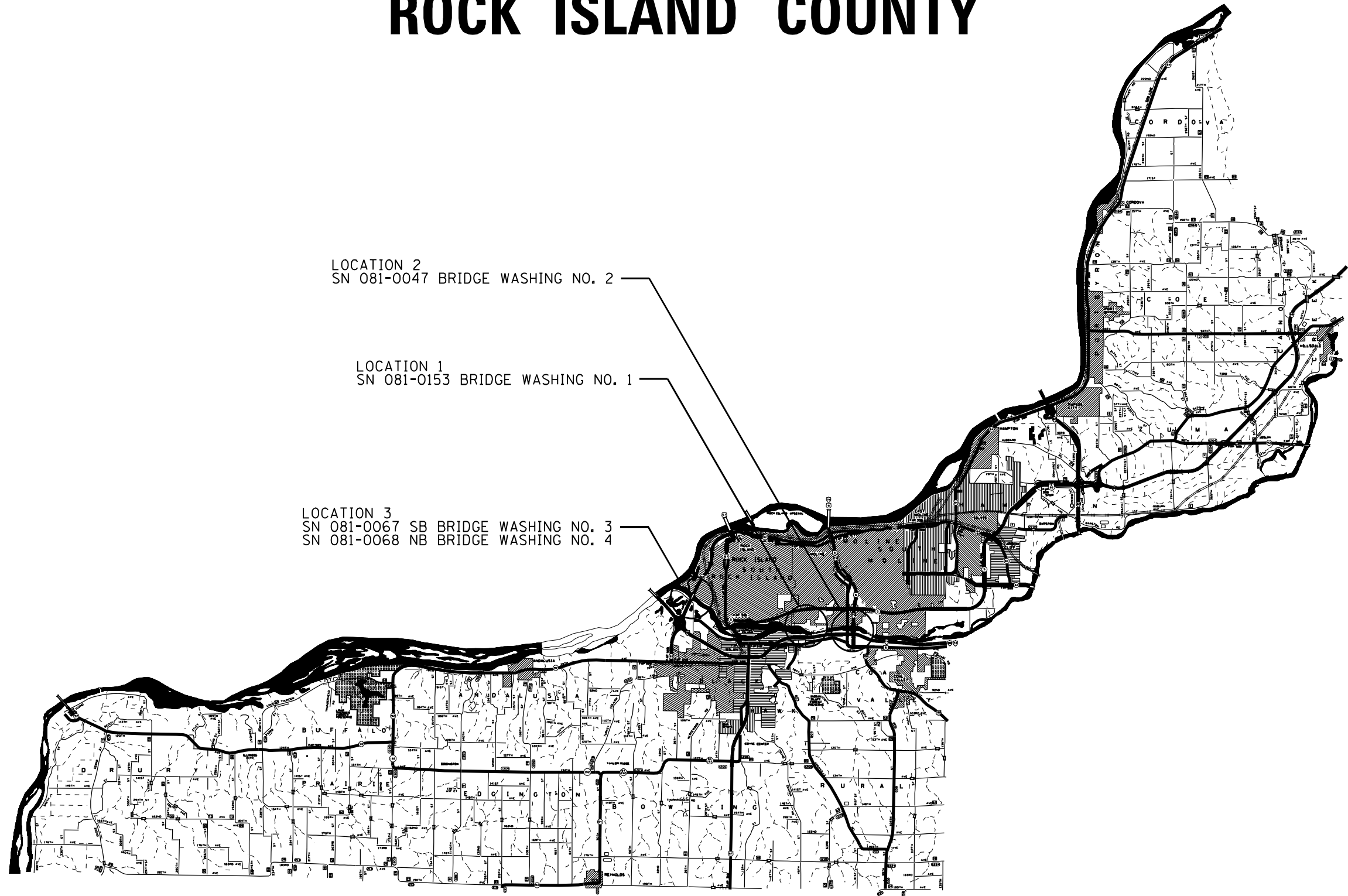
**STATE OF ILLINOIS
DEPARTMENT OF TRANSPORTATION**

SCHEDULE OF QUANTITIES

SCALE: _____ SHEET ____ OF ____ SHEETS STA. _____ TO STA. _____

F.A. RTE.	SECTION	COUNTY	TOTAL SHEETS	SHEET NO.
VAR.	D2 BC 2023-4	VARIOUS	15	4
			CONTRACT NO. 64R83	
ILLINOIS FED. AID PROJECT				

ROCK ISLAND COUNTY



LOCATION 2
SN 081-0047 BRIDGE WASHING NO. 2

LOCATION 1
SN 081-0153 BRIDGE WASHING NO. 1

LOCATION 3
SN 081-0067 SB BRIDGE WASHING NO. 3
SN 081-0068 NB BRIDGE WASHING NO. 4

MODEL: Default
 FILE NAME: p:\uldest-aw-bead-aw.com\PI\DOT\Documents\DOT Office\Dir\Dir 2\Project\Operations\Bridges - Section\Bridges - Washing - Contracts\2023\64R83 Bridge Washing over Rock River (SVCADD)\64R83-rlt-cover.dgn

USER NAME = David.Doss	DESIGNED - _____	REVISED - _____
	DRAWN - _____	REVISED - _____
PLOT SCALE = 100,0000' / in.	CHECKED - _____	REVISED - _____
PLOT DATE = Jun-07-2022 11:09:23 AM	DATE - _____	REVISED - _____

**STATE OF ILLINOIS
DEPARTMENT OF TRANSPORTATION**

**ROCK ISLAND COUNTY
LOCATION MAP**

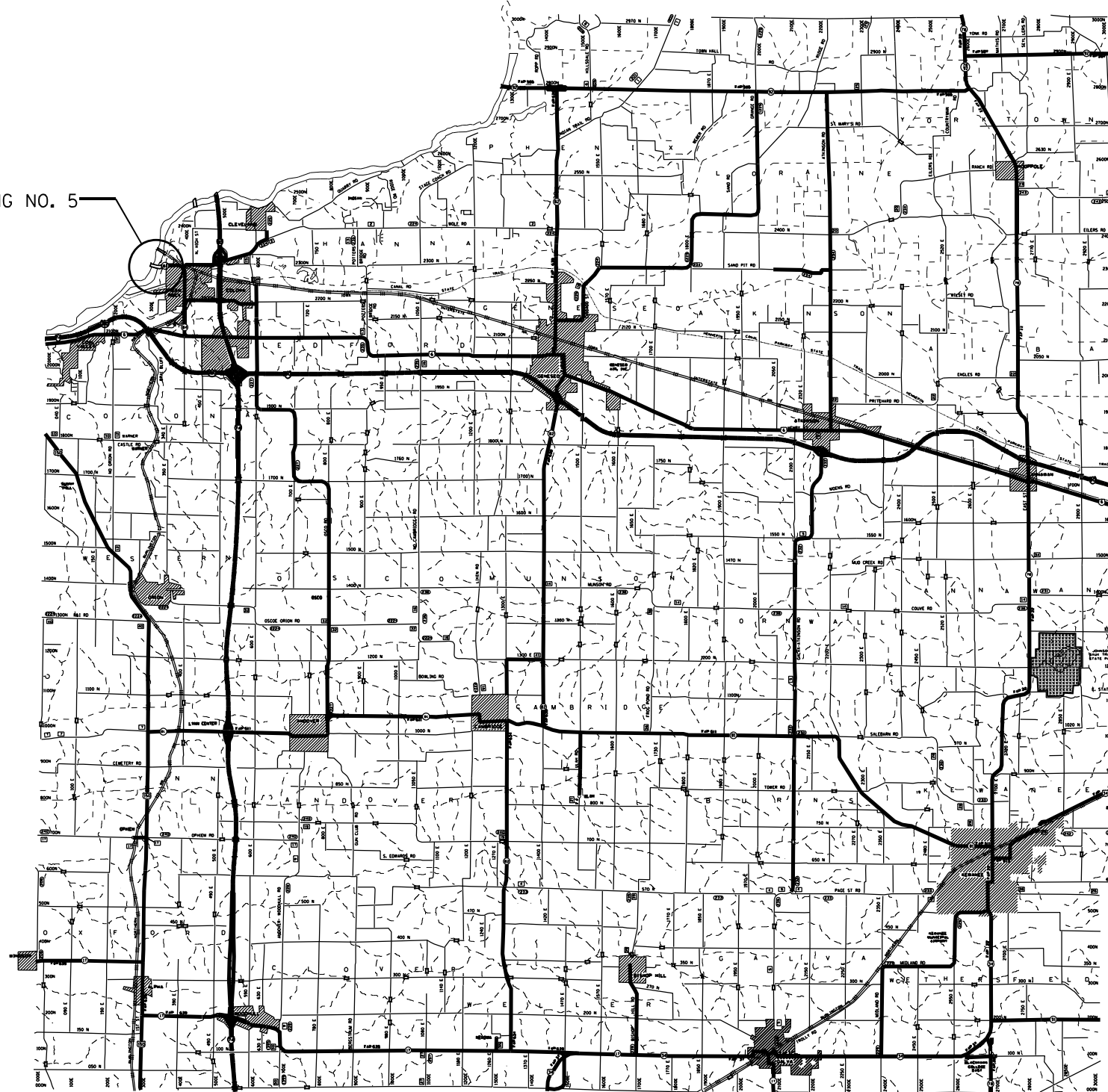
SCALE: _____ SHEET _____ OF _____ SHEETS STA. _____ TO STA. _____

F.A. RTE.	SECTION	COUNTY	TOTAL SHEETS	SHEET NO.
VAR.	D2 BC 2023-4	VARIOUS	15	5
			CONTRACT NO. 64R83	
		ILLINOIS	FED. AID PROJECT	

HENRY COUNTY



LOCATION 4
SN 037-0128
BRIDGE WASHING NO. 5



MODEL: Default
FILE: h:\mifc\p\build\paw.bentley.com\p\w\dot\Documents\DOT Office\District 2\Project\Operations\Bridges - Section\Bridges - Washing over Rock River (SVCADD)64883-shc-cover.dgn

USER NAME = David.Doss	DESIGNED - _____	REVISED - _____
	DRAWN - _____	REVISED - _____
PLOT SCALE = 100,000' / in.	CHECKED - _____	REVISED - _____
PLOT DATE = Jun-07-2022 11:09:31 AM	DATE - _____	REVISED - _____

**STATE OF ILLINOIS
DEPARTMENT OF TRANSPORTATION**

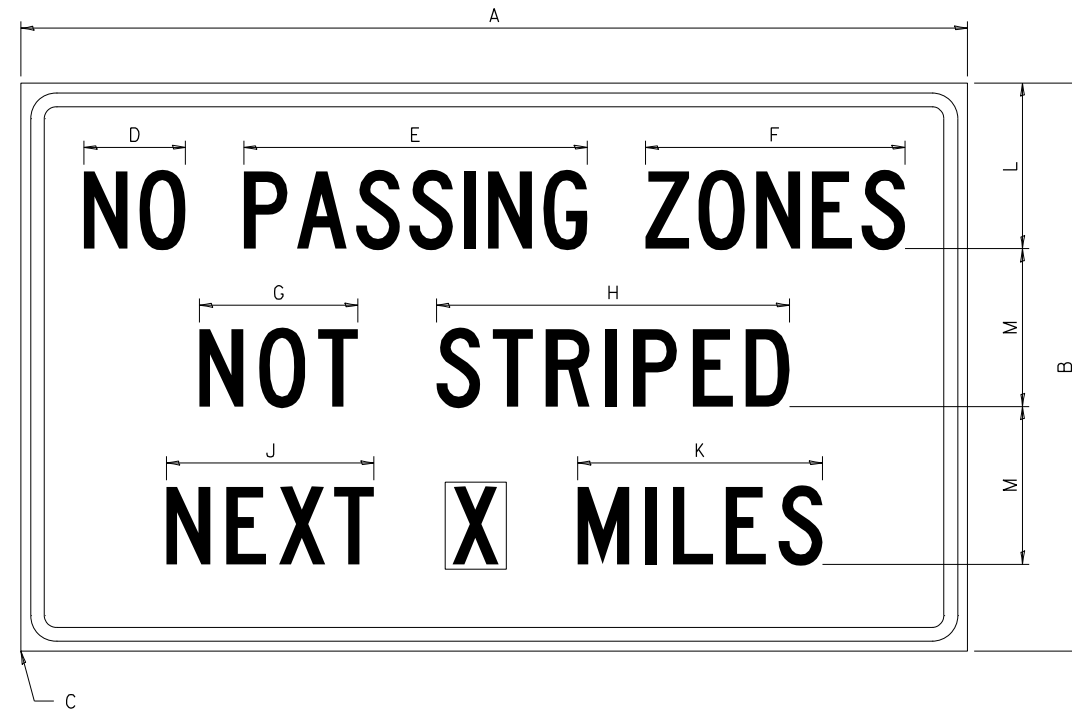
**HENRY COUNTY
LOCATION MAP**

SCALE: _____ SHEET _____ OF _____ SHEETS STA. _____ TO STA. _____

F.A. RTE.	SECTION	COUNTY	TOTAL SHEETS	SHEET NO.
VAR.	D2 BC 2023-4	VARIOUS	15	6
			CONTRACT NO. 64883	
		ILLINOIS	FED. AID PROJECT	

WORK ZONE SIGN DETAILS

ILLINOIS STANDARD G20-I100



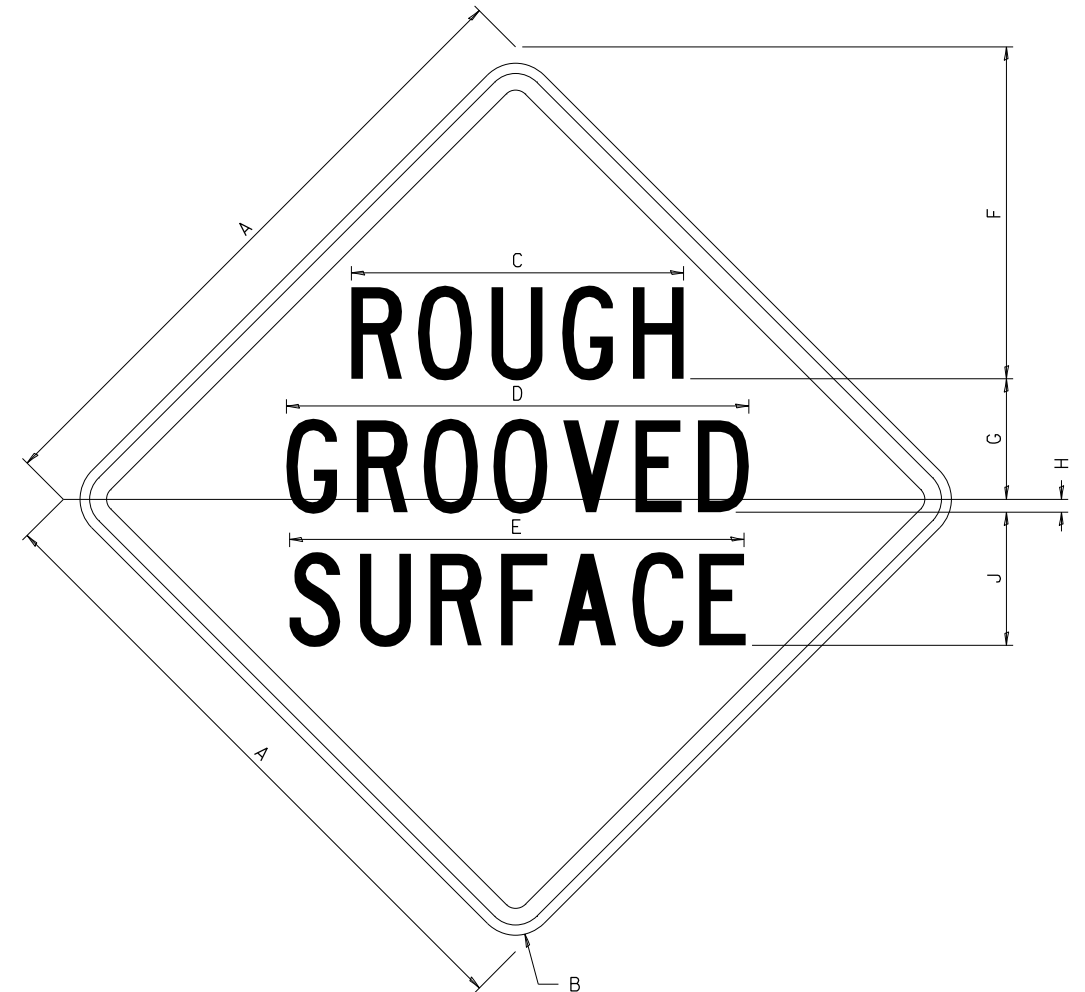
COLOR LEGEND AND BORDER BACKGROUND BLACK ORANGE NON-REFLECTORIZED REFLECTORIZED

SIGN SIZE	DIMENSIONS											
	A	B	C	D	E	F	G	H	J	K	L	M
60 x 36	60.00	36.00	2.25	6.4	21.80	16.40	10.00	22.40	13.20	15.50	10.50	10.00

SIGN SIZE	SERIES BY LINE			MARGIN	BORDER
	1	2	3		
60 x 36	5C	5C	5C	0.625	0.875

Sign not to scale

ILLINOIS STANDARD W8-I107



COLOR LEGEND AND BORDER BACKGROUND BLACK ORANGE NON-REFLECTORIZED REFLECTORIZED

SIGN SIZE	DIMENSIONS								
	A	B	C	D	E	F	G	H	J
48 x 48	48.00	3.00	25.00	34.80	34.20	24.94	9.00	1.00	10.00

SIGN SIZE	SERIES BY LINE			MARGIN	BORDER
	1	2	3		
48 x 48	7C	7C	7C	1.250	0.750

Sign not to scale

GENERAL NOTES

All work to furnish and install these signs shall be included in the cost of the specified traffic control standards and shall not be paid separately.

All Illinois Standard signs shall conform to the latest edition of the "Illinois Standard Highway Signs Book" in effect on the date of invitation for bids.

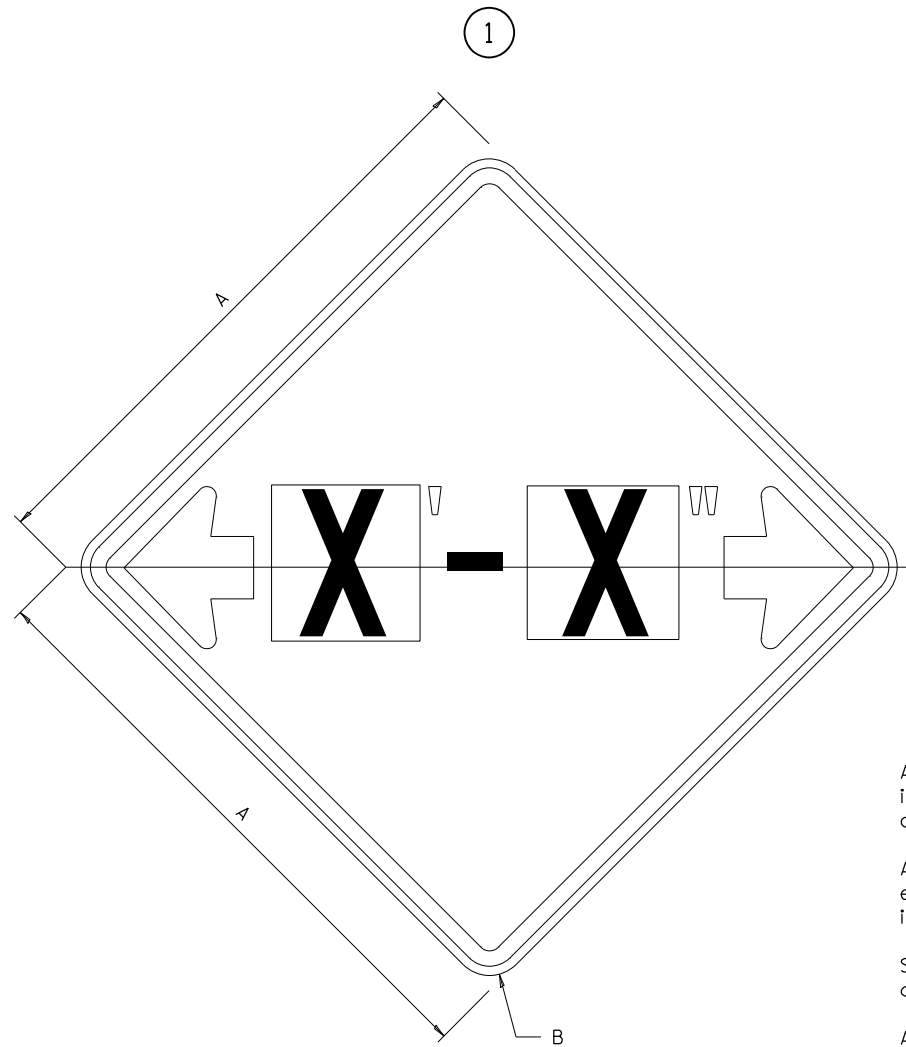
Signs shall meet the applicable portions of Sections 701 and 720 of the Standard Specifications.

All dimensions are in inches unless otherwise noted.

FILE NAME =	USER NAME = David.Doss	DESIGNED -	REVISED - 3-02-16	STATE OF ILLINOIS DEPARTMENT OF TRANSPORTATION	REGION 2 / DISTRICT 2 STANDARD	F.A. RTE.	SECTION	COUNTY	TOTAL SHEETS	SHEET NO.	
pw:\idot-pw\Bentley.com\PWIDOT\Documents\IDOT Offices\District 2\Projects\Operations\DRAWN Section\Bridges\Washing Contracts\REVISED Bridge Washing over Rock River (5)\CADD\64R83-sht-cover.dgn	PROJECT =	CHECKED -	REVISED -			VAR.	D2 BC 2023-4	VARIOUS	15	7	
PLOT SCALE = 100.0000' / in.	DATE -	REVISOR -	SCALE: _____			SHEET NO. _____ OF _____ SHEETS	CONTRACT NO. 64R83	FED. ROAD DIST. NO. _____ ILLINOIS FED. AID PROJECT			
PLOT DATE = Jun-07-2022 11:09:38 AM	DATE -	REVISOR -									

WORK ZONE SIGN DETAILS

ILLINOIS STANDARD W12-I102



GENERAL NOTES

All work to furnish and install these signs shall be included in the cost of the specified traffic control standards and shall not be paid separately.

All Illinois Standard signs shall conform to the latest edition of the "Illinois Standard Highway Signs Book" in effect on the date of invitation for bids.

Signs shall meet the applicable portions of Sections 701 and 720 of the Standard Specifications.

All dimensions are in inches unless otherwise noted.

COLOR LEGEND AND BORDER BACKGROUND BLACK FL ORANGE NON-REFLECTORIZED REFLECTORIZED

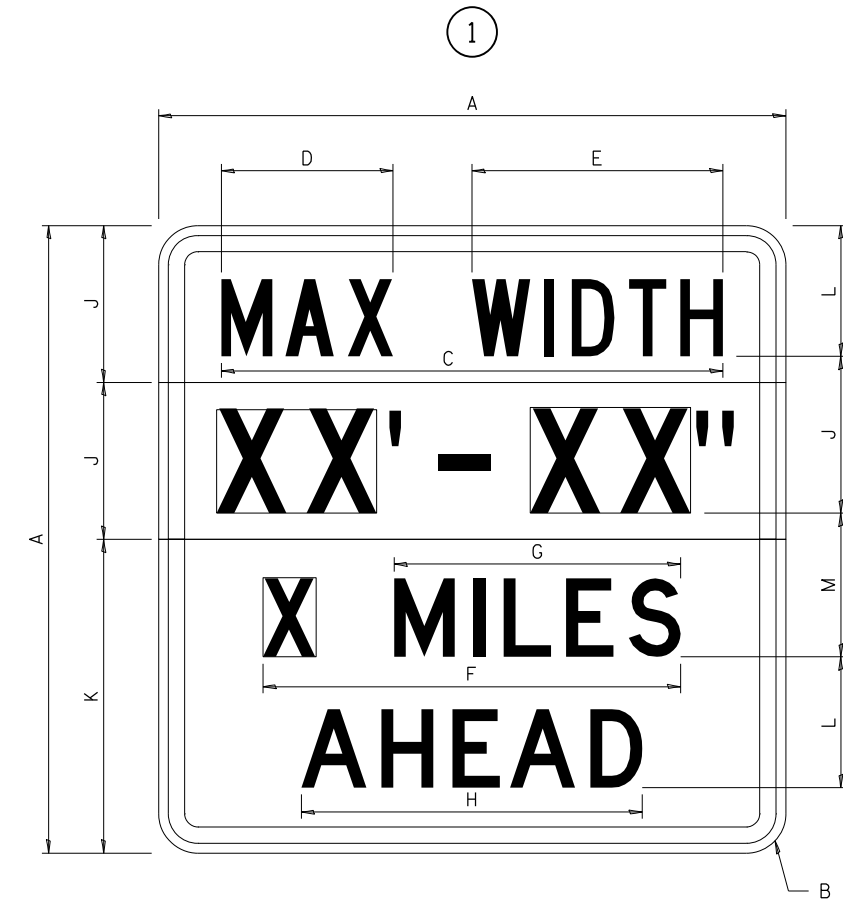
SIGN SIZE	DIMENSIONS	
	A	B
48 x 48	48.00	3.00

① Illinois Standard signs W12-I102 and W12-I103 shall be used as described in the special provisions.

SIGN SIZE	SERIES BY LINE	MARGIN	BORDER
	1		
48 x 48	12C	0.750	1.250

Sign not to scale

ILLINOIS STANDARD W12-I103



COLOR LEGEND AND BORDER BACKGROUND (WIDTH) BLACK WHITE FL ORANGE NON-REFLECTORIZED REFLECTORIZED REFLECTORIZED

SIGN SIZE	DIMENSIONS											
	A	B	C	D	E	F	G	H	J	K	L	M
48 x 48	48.00	3.00	38.40	13.20	19.20	32.00	22.00	26.20	12.00	24.00	10.00	11.00

SIGN SIZE	SERIES BY LINE				MARGIN	BORDER
	1	2	3	4		
48 x 48	6C	8D	6D	6D	0.750	1.250

Sign not to scale

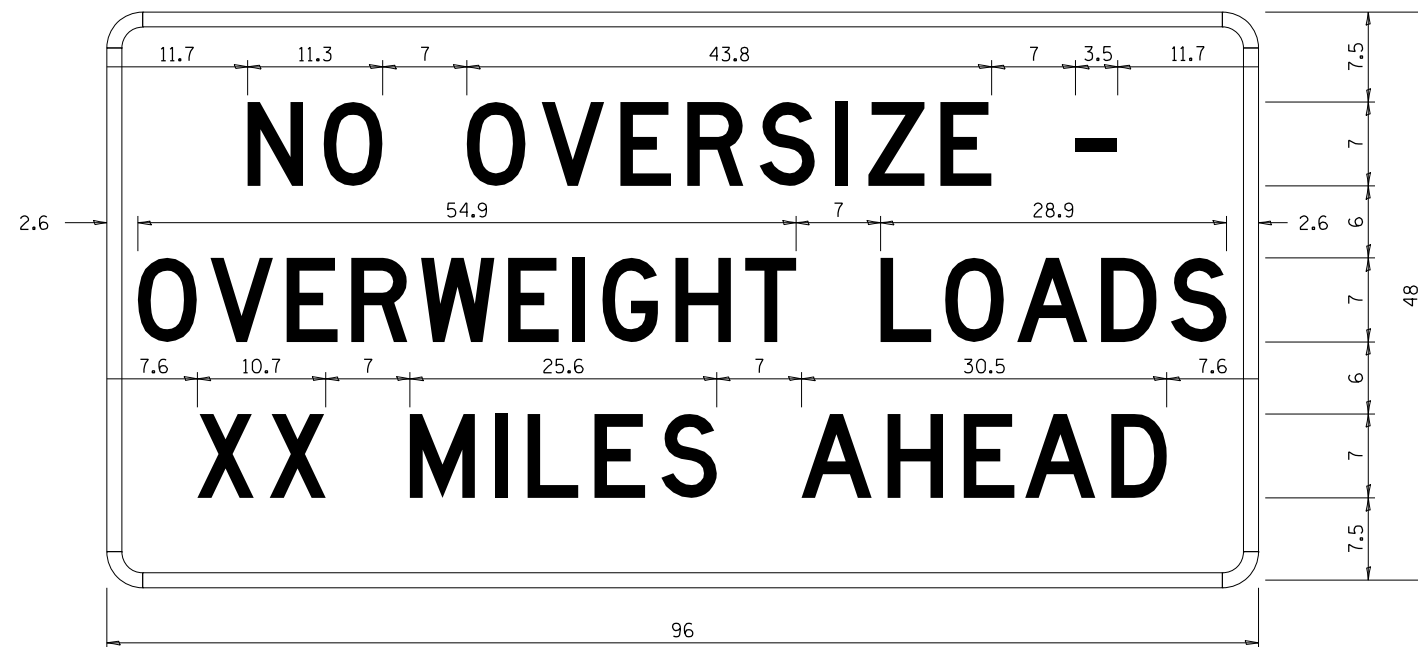
XX'-XX" WIDTH AND X MILES ARE VARIABLE TOP AND BOTTOM OF BACKGROUND WHITE

FILE NAME =	USER NAME = David.Doss	DESIGNED -	REVISED - 3-02-16	STATE OF ILLINOIS DEPARTMENT OF TRANSPORTATION	REGION 2 / DISTRICT 2 STANDARD	F.A. RTÉ.	SECTION	COUNTY	TOTAL SHEETS	SHEET NO.
pw:\idot-pw.bentley.com\PWIDOT\Documents\IDOT Offices\District 2\Projects\Operations\DRAWN Section\Bridges\Washing Contracts\REVISED 6483 Bridge Washing over Rock River (5)\CADD\6483-sht-cover.dgn	PROJECT = 2023-4	CHECKED -	REVISED -			VAR.	D2 BC 2023-4	VARIOUS	15	8
PLOT SCALE = 100.0000' / in.	DATE = Jun-07-2022 11:09:44 AM	DATE -	REVISED -			CONTRACT NO. 6483				
SCALE: _____ SHEET NO. ___ OF ___ SHEETS STA. _____ TO STA. _____ FED. ROAD DIST. NO. _____ ILLINOIS FED. AID PROJECT										

WORK ZONE SIGN DETAILS

ROAD CLOSED TO OVERSIZED LOADS

STOP LINE SIGN FOR TEMPORARY SIGNALS



COLOR	LEGEND AND BORDER BACKGROUND	BLACK ORANGE	NON-REFLECTORIZED REFLECTORIZED
-------	------------------------------	--------------	---------------------------------

COLOR	LEGEND AND BORDER BACKGROUND	BLACK WHITE	NON-REFLECTORIZED REFLECTORIZED
-------	------------------------------	-------------	---------------------------------

Permit Loads - Loads Over 13 Feet; 3.0" Radius, 1.3" Border;
 [NO OVERSIZE -] D; [OVERWEIGHT LOADS] D 85% spacing; [XX MILES AHEAD] D;
 Table of letter and object lefts.

SIGN SIZE	SERIES BY LINE		
	1	2	3
24 x 24	4C	4C	4C

N	O	O	V	E	R	S	I	Z	E	-
11.7	18.1	30.0	36.2	42.8	48.4	54.4	60.7	63.5	69.5	80.8

O	V	E	R	W	E	I	G	H	T	L	O	A	D	S
2.6	8.6	15.0	20.4	26.2	33.4	38.8	41.3	47.4	53.2	64.5	69.9	75.9	82.9	88.7

X	X	M	I	L	E	S	A	H	E	A	D
7.6	13.6	25.3	32.3	35.1	40.6	46.2	57.9	65.1	71.4	76.6	83.7

Sign not to scale

Sign not to scale

GENERAL NOTES

All work to furnish and install these signs shall be included in the cost of the specified traffic control standards and shall not be paid separately.

All Illinois Standard signs shall conform to the latest edition of the "Illinois Standard Highway Signs Book" in effect on the date of invitation for bids.

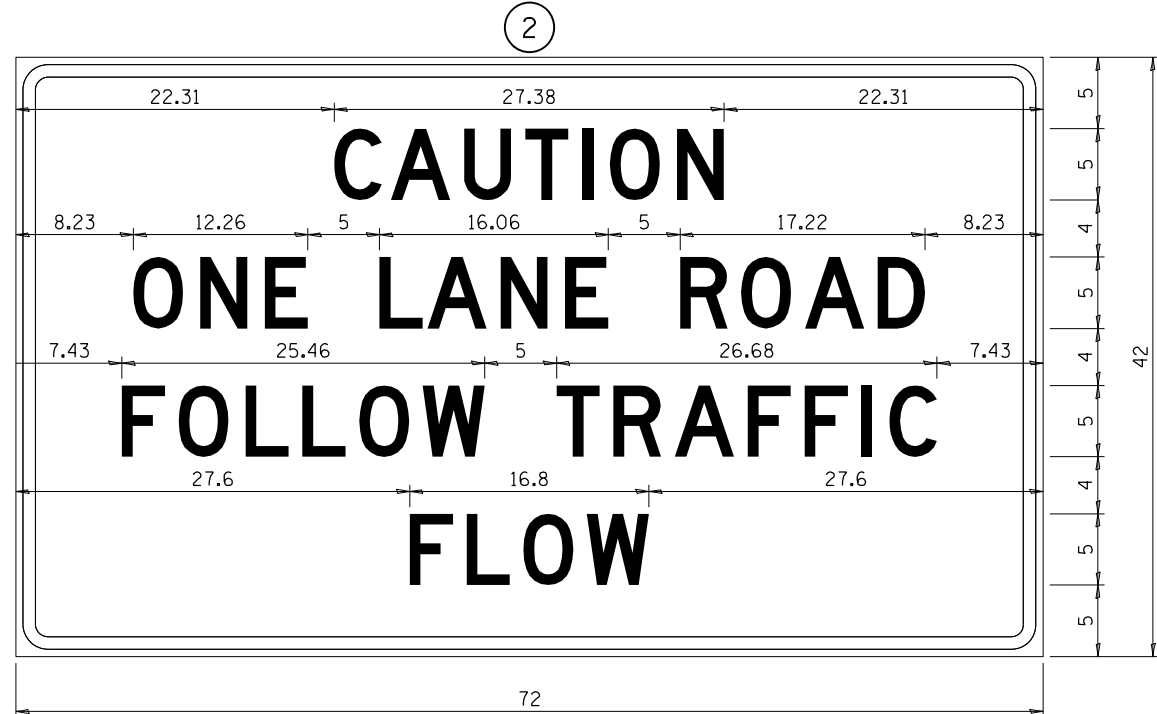
Signs shall meet the applicable portions of Sections 701 and 720 of the Standard Specifications.

All dimensions are in inches unless otherwise noted.

FILE NAME =	USER NAME = David.Doss	DESIGNED -	REVISED - 3-02-16	STATE OF ILLINOIS DEPARTMENT OF TRANSPORTATION	REGION 2 / DISTRICT 2 STANDARD	F.A. RTÉ.	SECTION	COUNTY	TOTAL SHEETS	SHEET NO.
pw:\idot-pw.bentley.com\PWIDOT\Documents\IDOT Offices\District 2\Projects\Operations\DRAWN Section\Bridges\Washing Contracts\REVISED\6483 Bridge Washing over Rock River (5)\CADD\6483-sht-cover.dwg	PROJECT = 6483 Bridge Washing over Rock River	CHECKED -	REVISED -			VAR.	D2 BC 2023-4	VARIOUS	15	9
PLOT SCALE = 100.0000' / in.	PLOT DATE = Jun-07-2022 11:09:51 AM	DATE -	REVISED -			SCALE: _____	SHEET NO. ___ OF ___ SHEETS	STA. _____ TO STA. _____	CONTRACT NO. 64883	

**ENTRANCE SIGN FOR USE
WITH TEMPORARY SIGNALS**

WORK ZONE SIGN DETAILS



COLOR LEGEND AND BORDER BACKGROUND BLACK ORANGE NON-REFLECTORIZED REFLECTORIZED

2.25" Radius, 0.88" Border, 0.50" Indent;
[CAUTION] D; [ONE LANE ROAD] D;
[FOLLOW TRAFFIC] D; [FLOW] D

② This sign shall be installed at entrances located between the temporary signals as shown in the staging plans.

Table Of Widths And Spaces

22.31	C	A	U	T	I	O	N	22.31					
3.36	0.62	4.18	0.94	3.36	0.94	3.04	0.94	0.78	1.17	3.52	1.17	3.36	22.31

8.23	O	N	E	
3.51	1.17	3.36	1.18	3.04

5.00	L	A	N	E		
3.05	0.31	4.18	0.94	3.36	1.17	3.05

5.00	R	O	A	D	8.23		
3.36	0.93	3.52	0.94	4.18	0.93	3.36	8.23

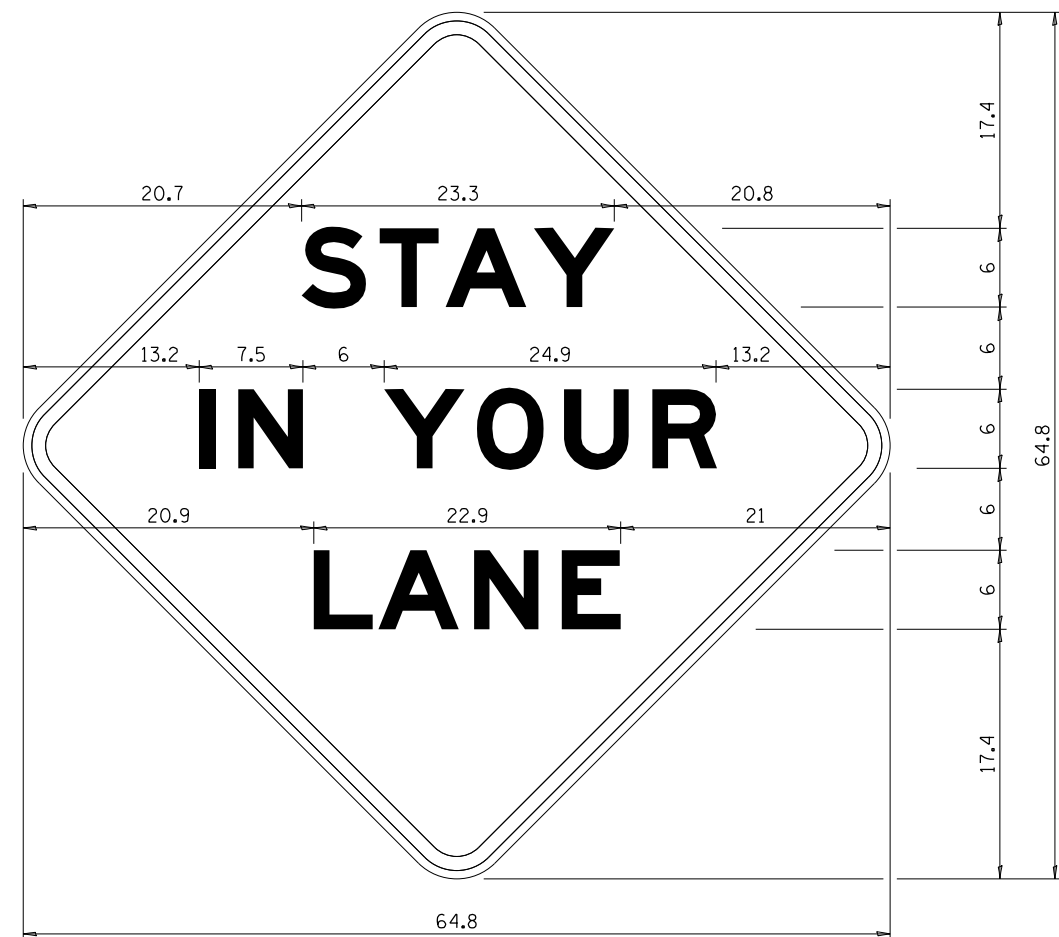
7.43	F	O	L	L	O	W				
3.04	0.94	3.52	1.17	3.04	0.94	3.05	0.94	3.51	0.94	4.37

5.00	T	R	A	F	F	I	C	7.43					
3.05	0.94	3.36	0.94	4.18	0.93	3.05	0.94	3.04	0.94	0.78	1.18	3.35	7.43

27.60	F	L	O	W	27.60		
3.05	0.94	3.04	0.94	3.52	0.93	4.38	27.60

Sign not to scale

STAY IN YOUR LANE



COLOR LEGEND AND BORDER BACKGROUND BLACK ORANGE NON-REFLECTORIZED REFLECTORIZED

48.0" across sides 3.8" Radius, 1.0" Border, 0.6" Indent;
"STAY" E Mod; "IN YOUR" E Mod; "LANE" E Mod;

Table of Letter and Object Lefts

S	T	A	Y
20.7	26.8	31.6	38.0

I	N	Y	O	U	R
13.2	15.9	26.7	33.9	40.5	46.8

L	A	N	E
20.9	25.8	33.1	39.4

Sign not to scale

GENERAL NOTES

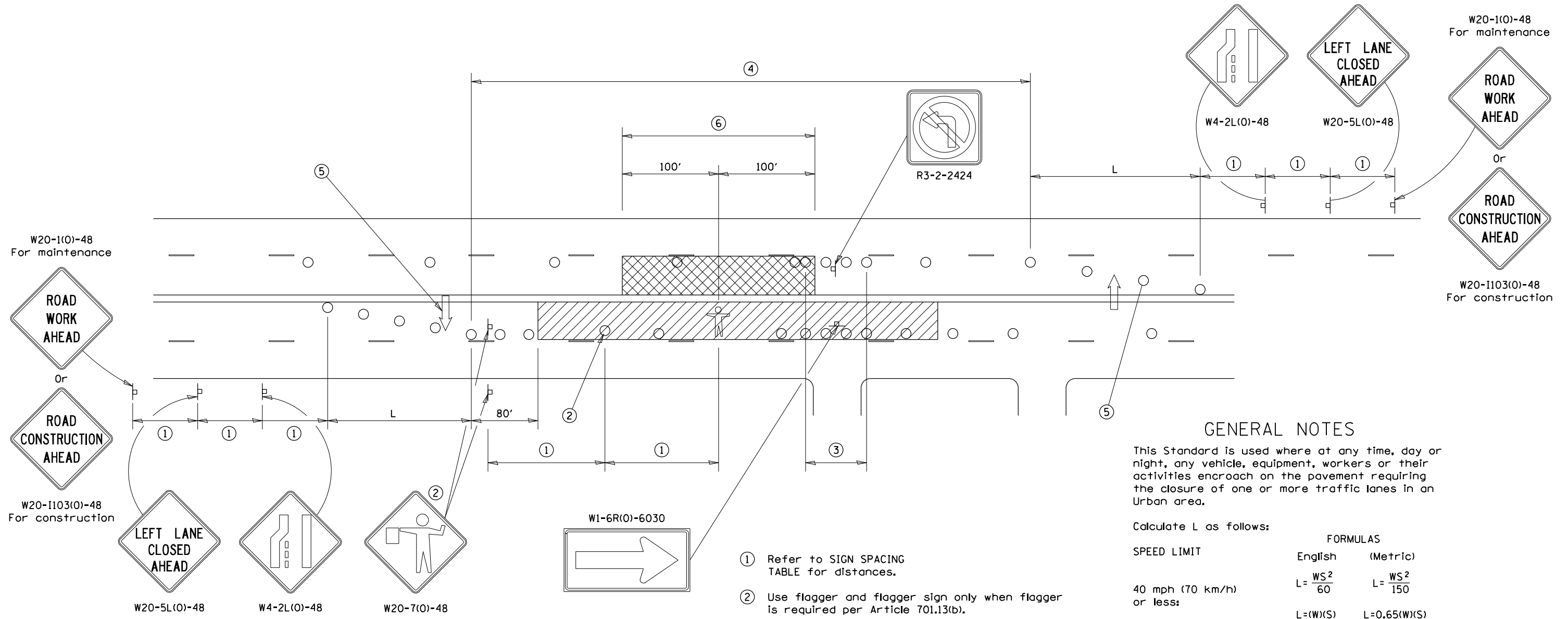
All work to furnish and install these signs shall be included in the cost of the specified traffic control standards and shall not be paid separately.

All Illinois Standard signs shall conform to the latest edition of the "Illinois Standard Highway Signs Book" in effect on the date of invitation for bids.

Signs shall meet the applicable portions of Sections 701 and 720 of the Standard Specifications.

All dimensions are in inches unless otherwise noted.

URBAN LANE INSIDE CLOSURE, MULTILANE, 2-WAY, WITH MOUNTABLE MEDIAN



GENERAL NOTES

This Standard is used where at any time, day or night, any vehicle, equipment, workers or their activities encroach on the pavement requiring the closure of one or more traffic lanes in an Urban area.

Calculate L as follows:

SPEED LIMIT	FORMULAS	
	English	(Metric)
40 mph (70 km/h) or less:	$L = \frac{WS^2}{60}$	$L = \frac{WS^2}{150}$
45 mph (80 km/h) or greater:	$L = (W)(S)$	$L = 0.65(W)(S)$

W = Width of offset in feet (meters),
S = Normal posted speed mph (km/h).

All dimensions are in inches (millimeters) unless otherwise shown.

Lane closures in the opposite direction shall be removed when no workers are present.

Cones or reflectorized cones shall not be used during hours of darkness.

This Traffic Control detail shall be included in the cost of Traffic Control and Protection Standard 701606.

SYMBOLS

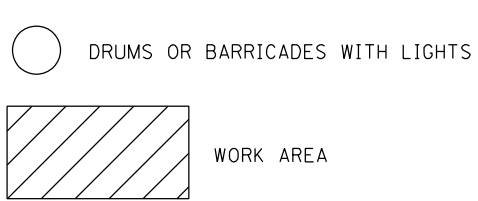
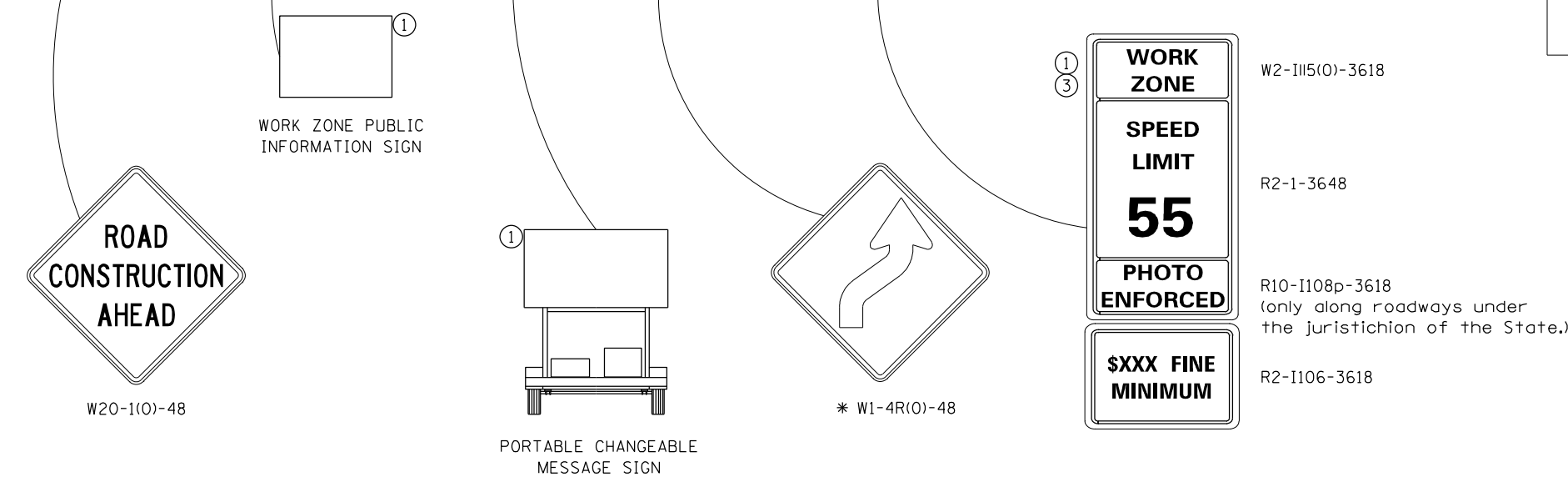
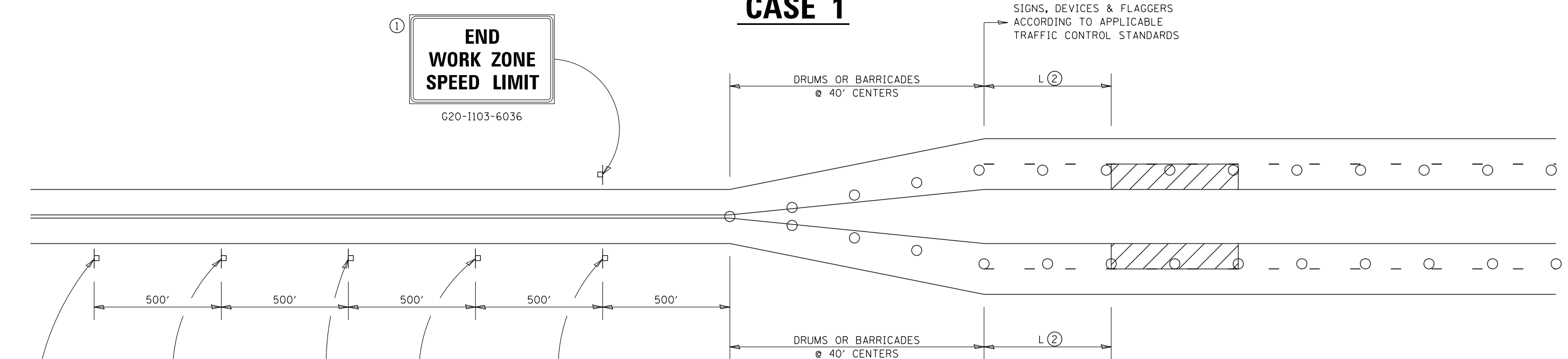
- WORK AREA
- CLOSED LANE
- ARROW BOARD
- SIGN ON PORTABLE OR PERMANENT SUPPORT
- CONE, DRUM OR BARRICADE
- FLAGGER WITH TRAFFIC CONTROL SIGN.
- WORKER ON FOOT

SIGN SPACING	
Posted Speed	Sign Spacing
55	500' (150 m)
50-45	350' (100 m)
<45	200' (60 m)

- ① Refer to SIGN SPACING TABLE for distances.
- ② Use flagger and flagger sign only when flagger is required per Article 701.13(b).
- ③ Devices at 10' centers from edge of radius return to edge of radius return when left turns are prohibited due to actively working in the intersection.
- ④ Cones at 20' (6 m) centers for 250' (75 m). Additional cones may be placed at 40' (12 m) centers. When drums or Type I or Type II barricades are used, the interval between devices may be doubled (excluding devices in intersections).
- ⑤ Cones, drums or barricades at 20' (6 m) centers in taper.
- ⑥ No equipment, materials, vehicles, or other hazards are allowed in the closed lane in the opposite direction within 100' of a worker on foot.

TRAFFIC CONTROL FOR TRANSITION AREAS

CASE 1



NOTE: STANDARDS 701301 AND 701306 SHALL NOT BE USED WITHIN 500 FEET OF THE TRANSITION.

* DEPENDS ON GEOMETRICS OF THE TRANSITION. MAY SWITCH THE "STAY IN YOUR LANE" AND "WEAVE SIGNS"

SIGNS, DEVICES & FLAGGERS ACCORDING TO APPLICABLE TRAFFIC CONTROL STANDARDS

GENERAL NOTES
THIS DETAIL IS TO BE USED IN CONJUNCTION WITH THE APPLICABLE MULTILANE TRAFFIC CONTROL AND PROTECTION STANDARD.

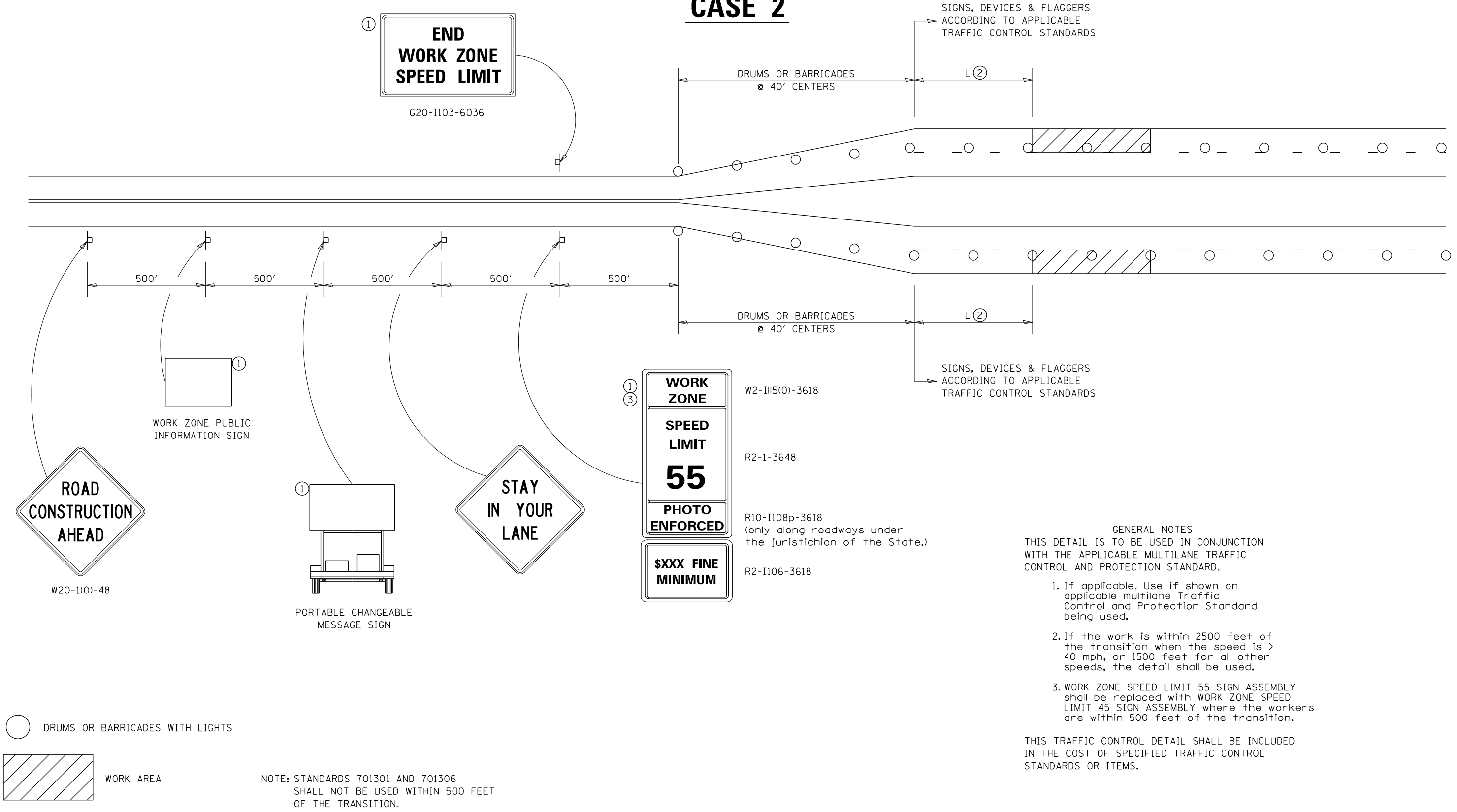
1. If applicable. Use if shown on applicable multilane Traffic Control and Protection Standard being used.
2. If the work is within 2500 feet of the transition when the speed is > 40 mph, or 1500 feet for all other speeds, the detail shall be used.
3. WORK ZONE SPEED LIMIT 55 SIGN ASSEMBLY shall be replaced with WORK ZONE SPEED LIMIT 45 SIGN ASSEMBLY where the workers are within 500 feet of the transition.

THIS TRAFFIC CONTROL DETAIL SHALL BE INCLUDED IN THE COST OF SPECIFIED TRAFFIC CONTROL STANDARDS OR ITEMS.

FILE NAME =	USER NAME = David.Doss	DESIGNED -	REVISED - 4-20-17	STATE OF ILLINOIS DEPARTMENT OF TRANSPORTATION	REGION 2 / DISTRICT 2 STANDARD	F.A. RTÉ.	SECTION	COUNTY	TOTAL SHEETS	SHEET NO.
pw:\idot-pw.bentley.com\PWIDOT\Documents\IDOT Offices\District 2\Projects\Operations\DRAWN Section\Bridges\Washing Contracts\REVISED 3 Bridge\09-16 over Rock River (5)\CADD\64R83-sht-cover.dgn	PLLOT SCALE = 100.0000' / in.	CHECKED -	REVISED - 8-27-13			VAR.	D2 BC 2023-4	VARIOUS	15	12
PLLOT DATE = Jun-07-2022 11:10:13 AM	DATE -	REVISED - 1-16-13	CONTRACT NO. 64R83							
			SCALE: _____ SHEET NO. ___ OF ___ SHEETS STA. _____ TO STA. _____			FED. ROAD DIST. NO. _____ ILLINOIS FED. AID PROJECT				

TRAFFIC CONTROL FOR TRANSITION AREAS

CASE 2



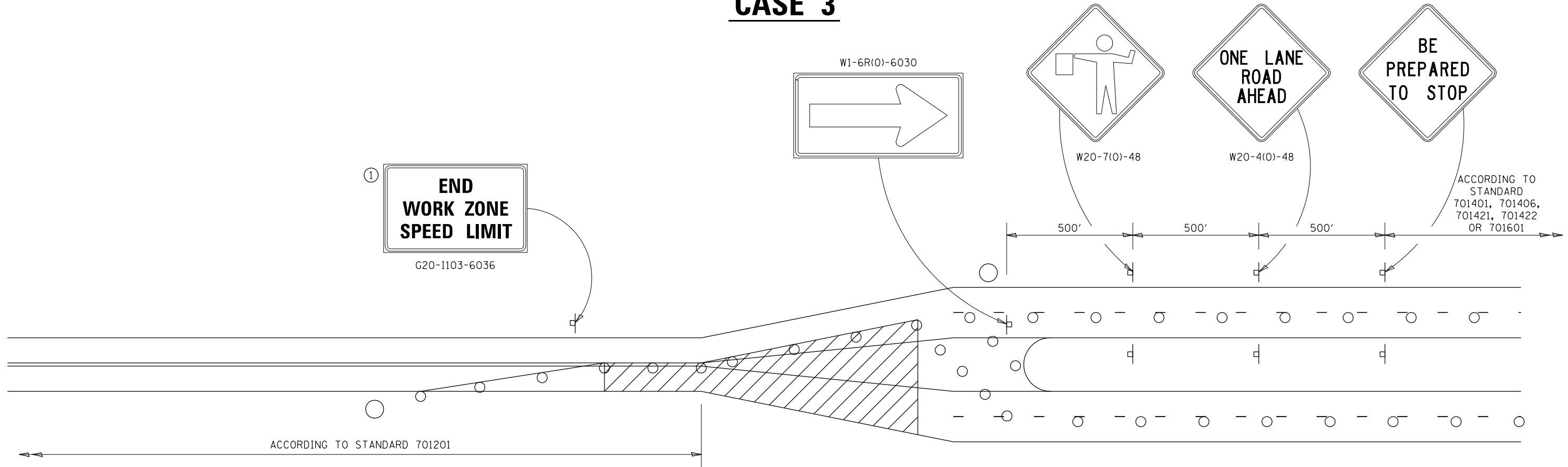
- GENERAL NOTES**
- THIS DETAIL IS TO BE USED IN CONJUNCTION WITH THE APPLICABLE MULTILANE TRAFFIC CONTROL AND PROTECTION STANDARD.
1. If applicable. Use if shown on applicable multilane Traffic Control and Protection Standard being used.
 2. If the work is within 2500 feet of the transition when the speed is > 40 mph, or 1500 feet for all other speeds, the detail shall be used.
 3. WORK ZONE SPEED LIMIT 55 SIGN ASSEMBLY shall be replaced with WORK ZONE SPEED LIMIT 45 SIGN ASSEMBLY where the workers are within 500 feet of the transition.

THIS TRAFFIC CONTROL DETAIL SHALL BE INCLUDED IN THE COST OF SPECIFIED TRAFFIC CONTROL STANDARDS OR ITEMS.

FILE NAME =	USER NAME = David.Doss	DESIGNED -	REVISED - 4-20-17	STATE OF ILLINOIS DEPARTMENT OF TRANSPORTATION REGION 2 / DISTRICT 2 STANDARD	F.A. RTÉ.	SECTION	COUNTY	TOTAL SHEETS	SHEET NO.
pw:\1ldot-pw.bentley.com\PWIDOT\Documents\IDOT Offices\District 2\Projects\Operations\DRAWN Section\Bridges\Washing Contracts\REVISED 3 Bridge\109-16 over Rock River (5)\CADD\64R83-sht-cover.dgn	PROJECT = 109-16	CHECKED -	REVISED - 8-27-13		VAR.	D2 BC 2023-4	VARIOUS	15	13
PLOT SCALE = 100.0000' / in.		DATE -	REVISED - 1-16-13		CONTRACT NO. 64R83				
PLOT DATE = Jun-07-2022 11:10:20 AM					FED. ROAD DIST. NO. _ ILLINOIS FED. AID PROJECT				

TRAFFIC CONTROL FOR TRANSITION AREAS

CASE 3



GENERAL NOTES
 THIS DETAIL IS TO BE USED IN CONJUNCTION WITH THE APPLICABLE MULTILANE TRAFFIC CONTROL AND PROTECTION STANDARD.

1. If applicable, Use if shown on applicable multilane Traffic Control and Protection Standard being used.
2. If the work is within 2500 feet of the transition when the speed is > 40 mph, or 1500 feet for all other speeds, the detail shall be used.
3. WORK ZONE SPEED LIMIT 55 SIGN ASSEMBLY shall be replaced with WORK ZONE SPEED LIMIT 45 SIGN ASSEMBLY where the workers are within 500 feet of the transition.

THIS TRAFFIC CONTROL DETAIL SHALL BE INCLUDED IN THE COST OF SPECIFIED TRAFFIC CONTROL STANDARDS OR ITEMS.

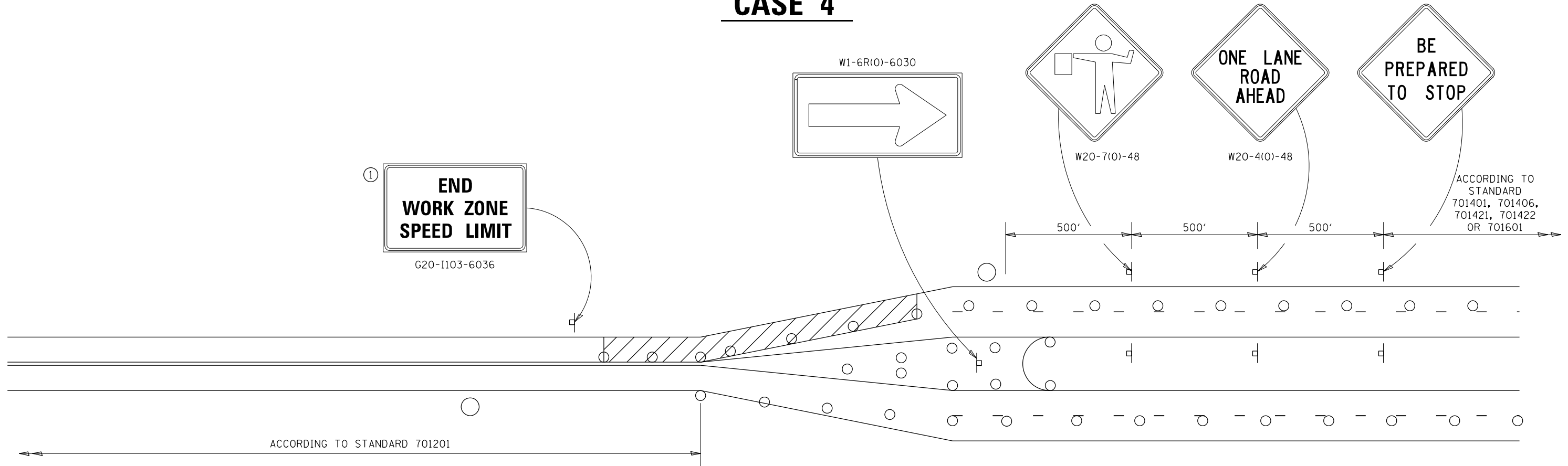
- FLAGGER WITH TRAFFIC CONTROL SIGN
- DRUMS OR BARRICADES WITH LIGHTS
- WORK AREA

NOTE: STANDARDS 701301 AND 701306 SHALL NOT BE USED WITHIN 500 FEET OF THE TRANSITION.

FILE NAME =	USER NAME = David.Doss	DESIGNED -	REVISED - 4-20-17	STATE OF ILLINOIS DEPARTMENT OF TRANSPORTATION	REGION 2 / DISTRICT 2 STANDARD	F.A. RTÉ.	SECTION	COUNTY	TOTAL SHEETS	SHEET NO.
DRAWN Section\Bridges Washing Contracts 2015\6483 Bridge over Rock River (5)\CADD\6483-sht-cover.dgn						VAR.	D2 BC 2023-4	VARIOUS	15	14
PLOT SCALE = 100.0000' / in.						CHECKED -	REVISED - 8-27-13	CONTRACT NO. 64R83		
PLOT DATE = Jun-07-2022 11:10:26 AM				DATE -	REVISED - 3-05-12	FED. ROAD DIST. NO. -		ILLINOIS FED. AID PROJECT		

TRAFFIC CONTROL FOR TRANSITION AREAS

CASE 4



GENERAL NOTES
 THIS DETAIL IS TO BE USED IN CONJUNCTION WITH THE APPLICABLE MULTILANE TRAFFIC CONTROL AND PROTECTION STANDARD.

1. If applicable, Use if shown on applicable multilane Traffic Control and Protection Standard being used.
2. If the work is within 2500 feet of the transition when the speed is > 40 mph, or 1500 feet for all other speeds, the detail shall be used.
3. WORK ZONE SPEED LIMIT 55 SIGN ASSEMBLY shall be replaced with WORK ZONE SPEED LIMIT 45 SIGN ASSEMBLY where the workers are within 500 feet of the transition.

THIS TRAFFIC CONTROL DETAIL SHALL BE INCLUDED IN THE COST OF SPECIFIED TRAFFIC CONTROL STANDARDS OR ITEMS.

- FLAGGER WITH TRAFFIC CONTROL SIGN
- DRUMS OR BARRICADES WITH LIGHTS
- WORK AREA

NOTE: STANDARDS 701301 AND 701306 SHALL NOT BE USED WITHIN 500 FEET OF THE TRANSITION.

FILE NAME =	USER NAME = David.Doss	DESIGNED -	REVISED - 4-20-17	STATE OF ILLINOIS DEPARTMENT OF TRANSPORTATION	REGION 2 / DISTRICT 2 STANDARD	F.A. RTE.	SECTION	COUNTY	TOTAL SHEETS	SHEET NO.
DRAWN Section\Bridges Washing Contracts 2013\6483 Bridge over Rock River (5)\CADD\6483-sht-cover.dgn						VAR.	D2 BC 2023-4	VARIOUS	15	15
PLOT SCALE = 100.0000' / in.						CHECKED -	REVISED - 8-27-13	CONTRACT NO. 64883		
PLOT DATE = Jun-07-2022 11:10:33 AM				DATE -	REVISED - 3-05-12	FED. ROAD DIST. NO. -		ILLINOIS FED. AID PROJECT		