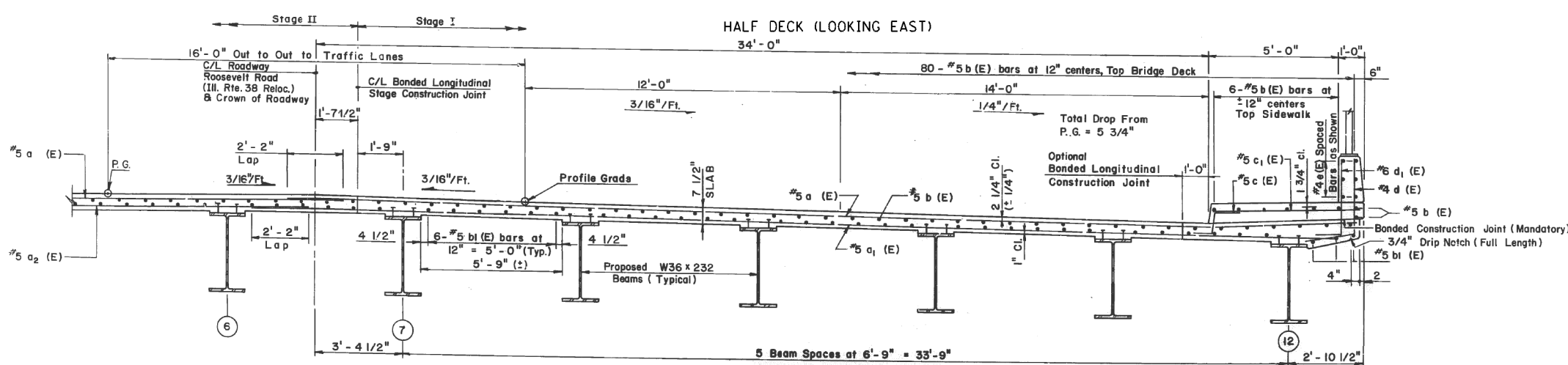
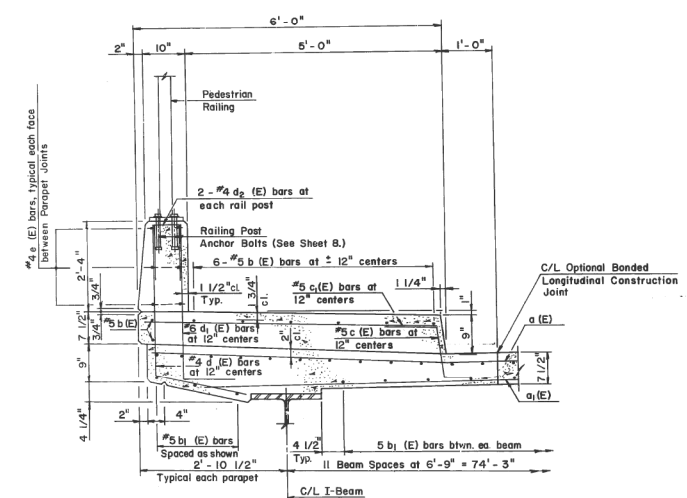


EXISTING PLAN
SN 022-0163



EXISTING TYPICAL SECTION
SN 022-0163



PARAPET SECTION
SN 022-0163

FILE NAME =	USER NAME = rozeqem	DESIGNED -	REVISED -	STATE OF ILLINOIS DEPARTMENT OF TRANSPORTATION	EXISTING BRIDGE PLANS LOCATION NO. 14 (SN 022-0163)		F.A.	SECTION	COUNTY	TOTAL SHEETS	SHEET NO.	
ci:\pwwork\pwwork\rozeqem\d0388336\0134\14-sht-cover.dgn		DRAWN -	REVISED -		SCALE: NTS	SHEET 1	OF 1 SHEETS	VARIOUS	2014-0381	DUPAGE	33	24
Default	PLOT SCALE = 100.0000' / 1in.	CHECKED -	REVISED -		STA.							
	PLOT DATE = 8/21/2014	DATE -	REVISED -		TO STA.							
										CONTRACT NO. 60Y32		
										ILLINOIS FED. AID PROJECT		