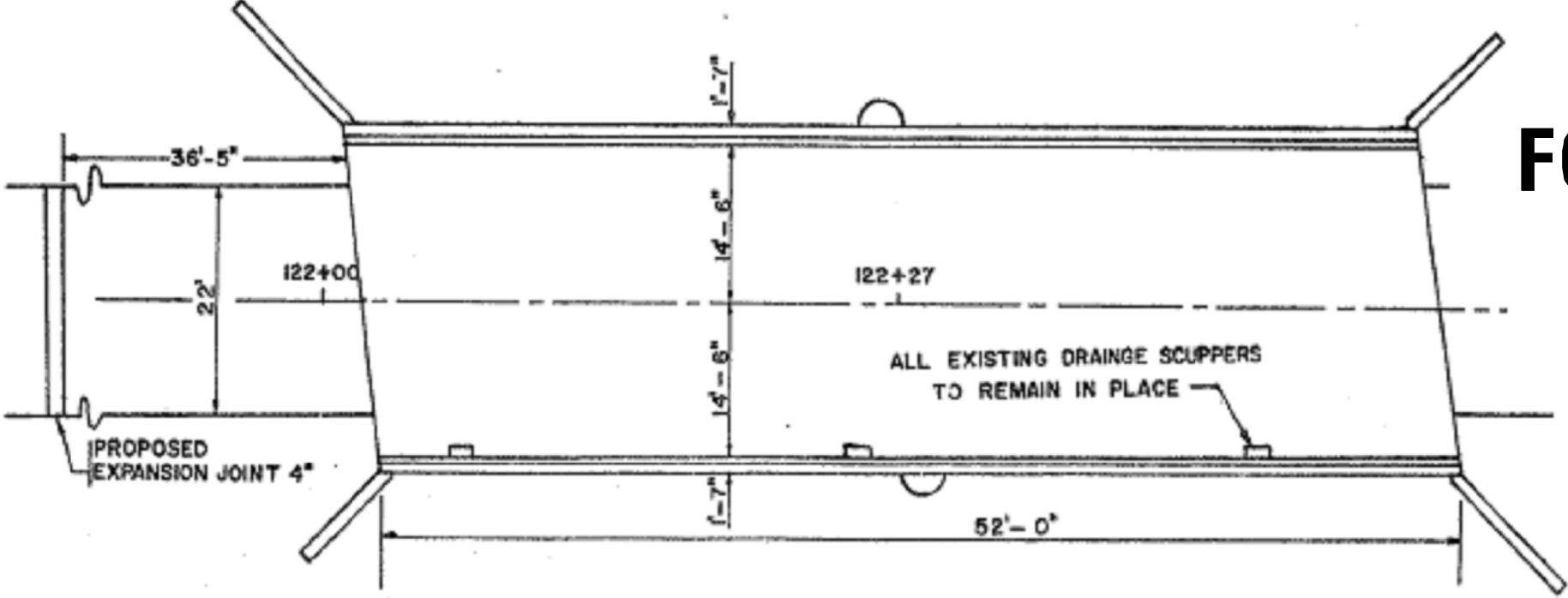
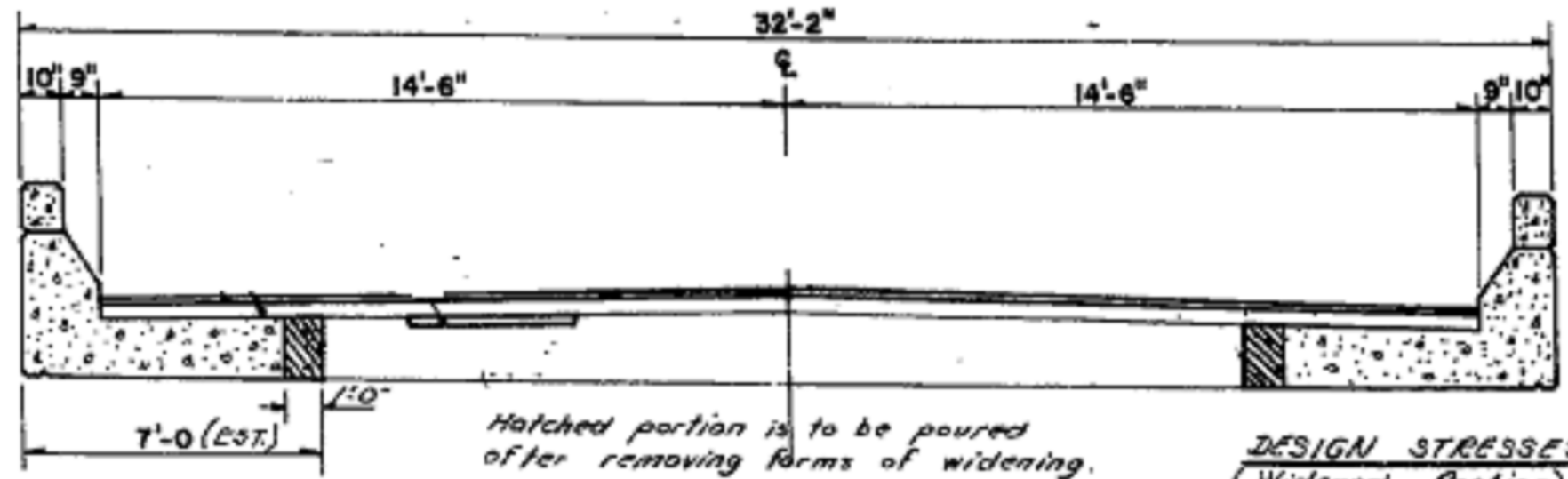


FOR INFORMATION ONLY

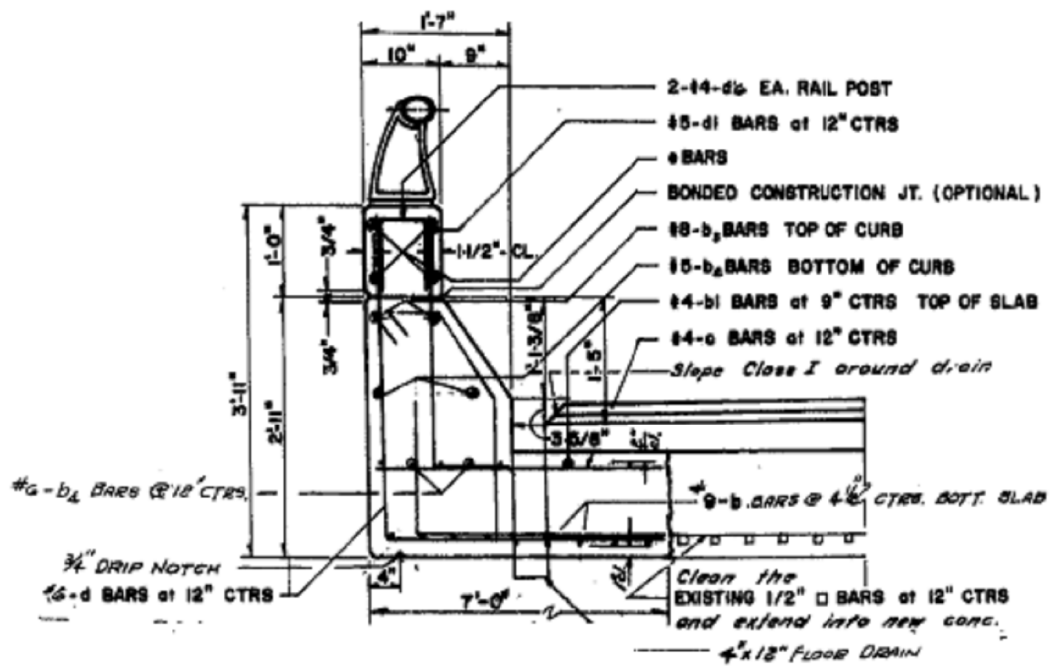


PLAN VIEW



TYPICAL SECTION OF SLAB

DESIGN STRESSES
 (Widened Portion)
 $f_c = 14,000 \text{ psi}$
 $f_s = 20,000 \text{ psi}$
 $n = 10$



FILE NAME =	USER NAME = abebawa	DESIGNED -	REVISED -
et:\pwork\pwork\abebawa\d0402136\013514-Design.dgn		DRAWN -	REVISED -
Default	PLOT SCALE = 100.0000' / in.	CHECKED -	REVISED -
	DATE = 8/18/2014	DATE -	REVISED -

STATE OF ILLINOIS
 DEPARTMENT OF TRANSPORTATION

LOCATION #8 :SN 049-0079			
IL 22 OVER FLINT CREEK			
SCALE:	SHEET	OF SHEETS	STA. TO STA.

SECTION	COUNTY	TOTAL SHEETS	SHEET NO.
2014-0401	LAKE	42	19
CONTRACT NO. 60Y34			
ILLINOIS FED. AID PROJECT			