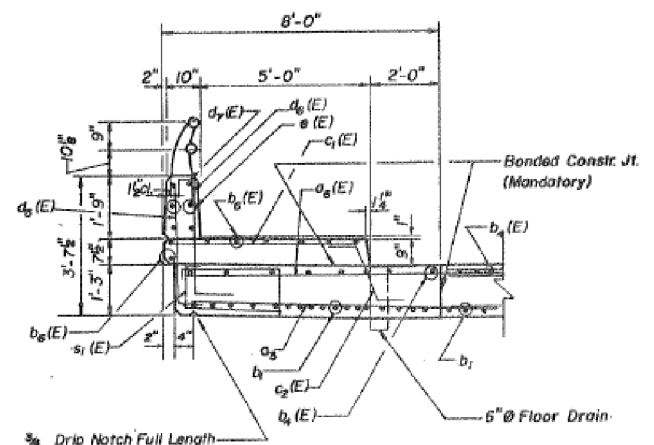
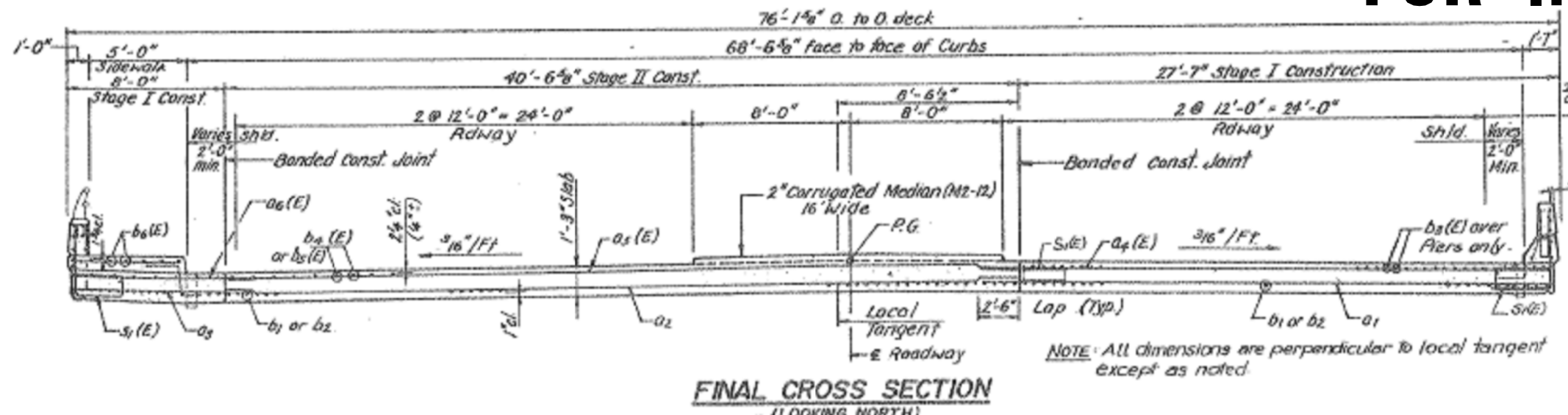


**FOR INFORMATION ONLY**



FILE NAME: c:\pwork\p1dot\abebawa\d0402136\013514-Design.dgn	USER NAME: abebawa	DESIGNED: -	REVISED: -	STATE OF ILLINOIS DEPARTMENT OF TRANSPORTATION	LOCATION #18 :SN 049-0166 US 45 & IL 21 OVER INDIAN CREEK	SECTION: 2014-0401	COUNTY: LAKE	TOTAL SHEETS: 42	SHEET NO.: 29
PLOT SCALE: 100.0000' / in.	CHECKED: -	REVISED: -	SCALE: SHEET OF SHEETS STA. TO STA.			CONTRACT NO. 60Y34			
PLOT DATE: 8/18/2014	DATE: -	REVISED: -	ILLINOIS FED. AID PROJECT						
Default									