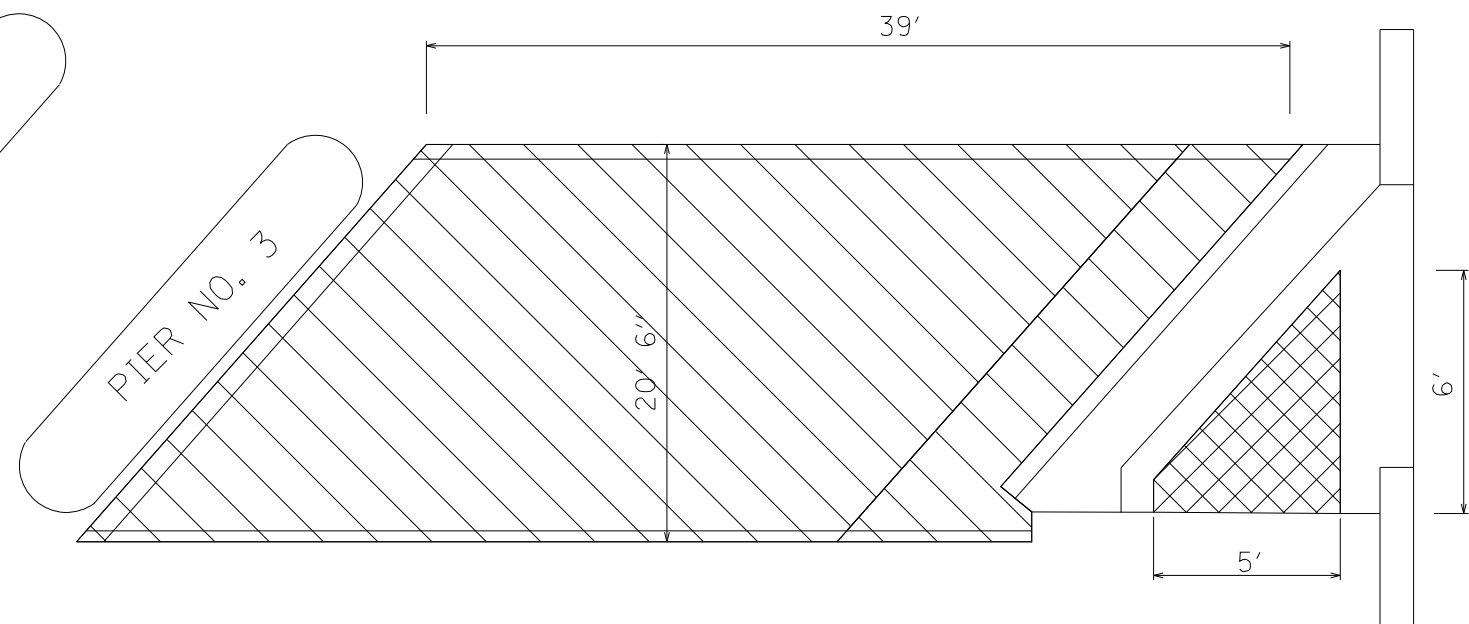
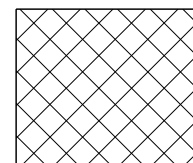


WEST SLOPE WALL
PLAN VIEW

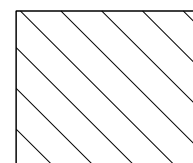


EAST SLOPE WALL
PLAN VIEW

LEGEND



UNDERMINED APPROACH SPAN
TO BE FILLED WITH RIP RAP



SLOPE WALL REMOVAL

FILE NAME =	USER NAME = osbornnp	DESIGNED -	REVISED -
et:\pw\work\p1dot\osbornnp\d0402974\DI88514-sh1-plan.dgn		DRAWN -	REVISED -
Default	PLOT SCALE = NTS	CHECKED -	REVISED -
	PLOT DATE = 8/22/2014	DATE -	REVISED -

STATE OF ILLINOIS
DEPARTMENT OF TRANSPORTATION

BRIDGE REPAIRS
SN 049-0127

SCALE: SHEET OF SHEETS STA. TO STA.

F.A.P. RTE.	SECTION	COUNTY	TOTAL SHEETS	SHEET NO.
371	985B-BR	LAKE	7	5
CONTRACT NO. 60Y46				
ILLINOIS FED. AID PROJECT				