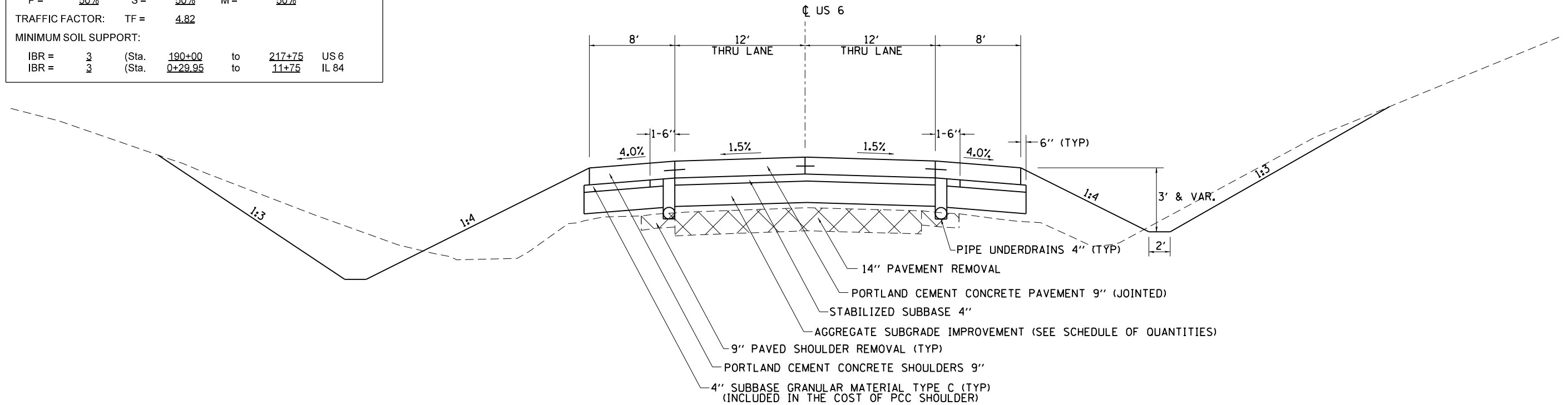


# TYPICAL SECTIONS

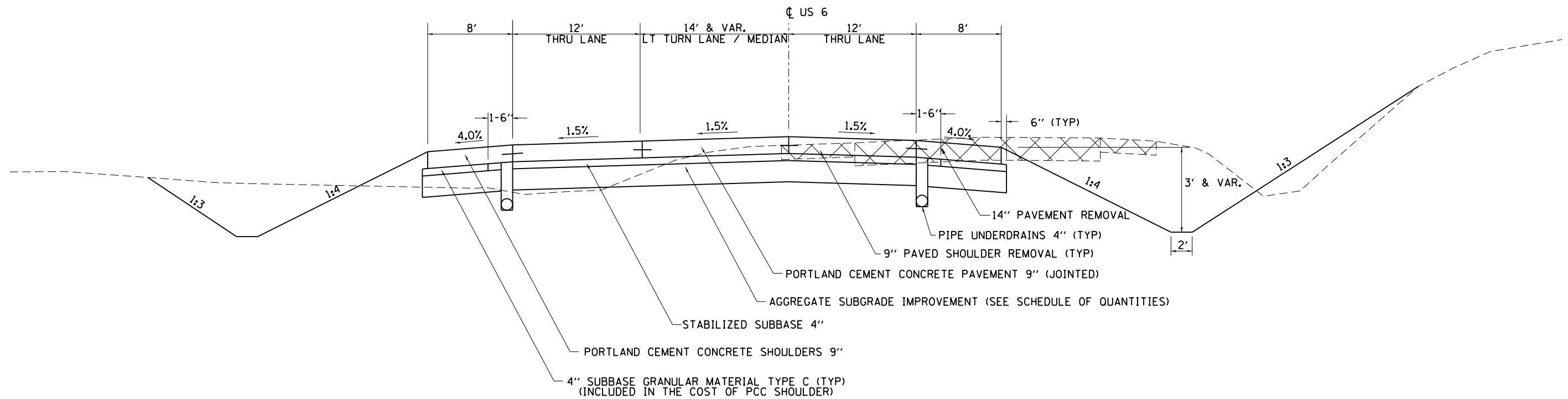
## STRUCTURAL DESIGN INFORMATION (RIGID PAVEMENT)

STRUCTURAL DESIGN TRAFFIC: Year **2024**  
 PV = **8,665** SU = **725** MU = **674**  
 ROAD/STREET CLASSIFICATION: Class **II**  
 PERCENT OF STRUCTURAL DESIGN TRAFFIC IN DESIGN LANE:  
 P = **50%** S = **50%** M = **50%**  
 TRAFFIC FACTOR: TF = **4.82**  
 MINIMUM SOIL SUPPORT:  
 IBR = **3** (Sta. **190+00** to **217+75** US 6  
 IBR = **3** (Sta. **0+29.95** to **11+75** IL 84

STA. 190+00 - 195+38



STA. 195+38 - 214+29.63



\* 5789 & 5861

FILE NAME =	USER NAME = cushmenbw	DESIGNED -	REVISED -
es:\pwork\pwork\cushmenbw\0333009\201709-sh-typical.dgn		DRAWN -	REVISED -
PLOT SCALE = 100.0000' / 1in.		CHECKED -	REVISED -
PLOT DATE = Fri Aug 01 11:28:11 2014		DATE -	REVISED -

STATE OF ILLINOIS  
DEPARTMENT OF TRANSPORTATION

## TYPICAL SECTIONS

SCALE: SHEET NO. OF SHEETS STA. TO STA.

F.A.U. RTE.	SECTION	COUNTY	TOTAL SHEETS	SHEET NO.
*	2R-1	HENRY	235	12
CONTRACT NO. 64J43				
ILLINOIS FED. AID PROJECT				