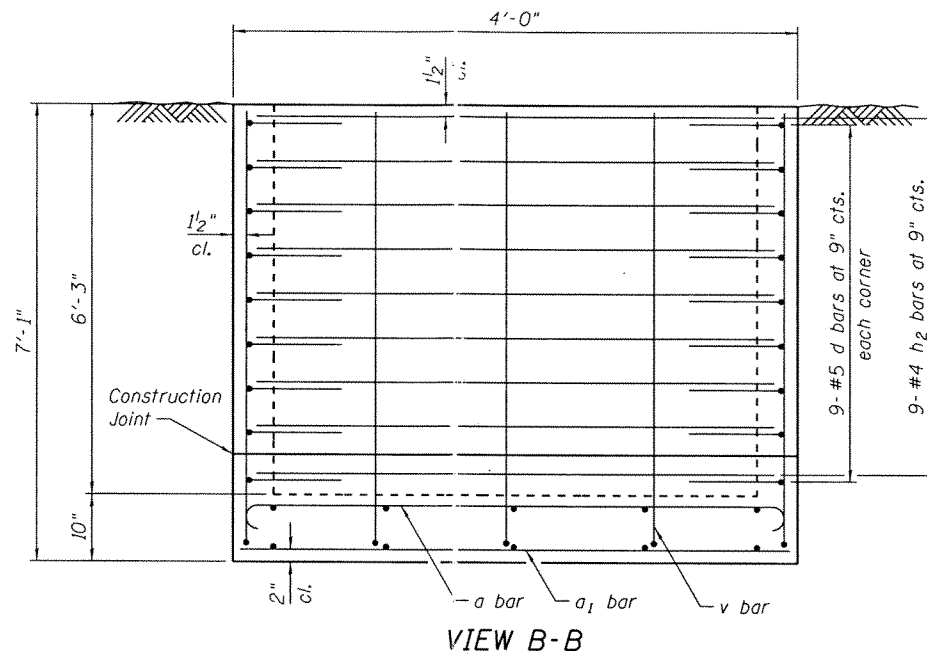
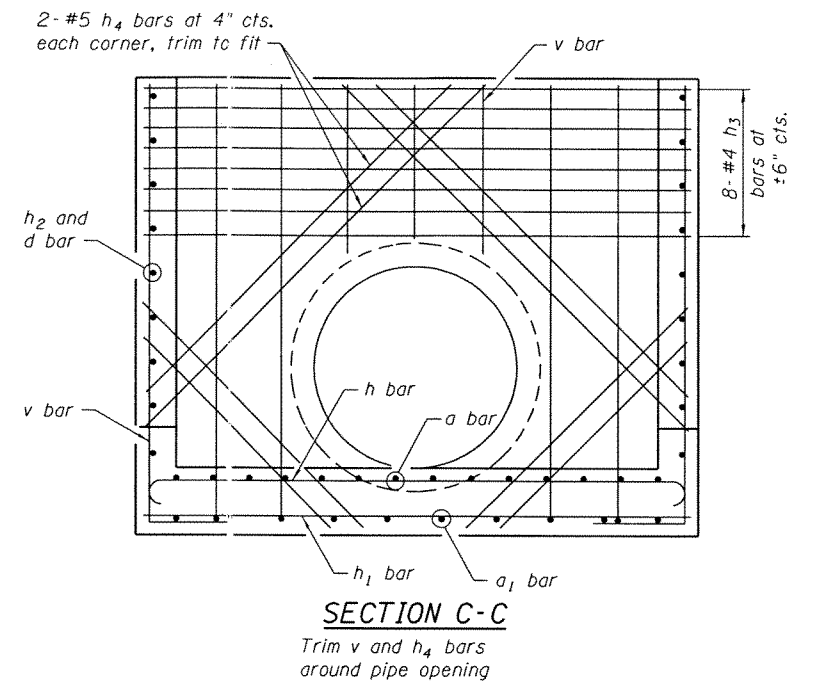


SECTION A-A

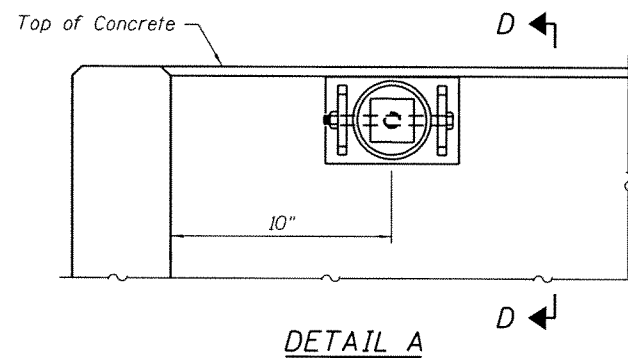


VIEW B-B

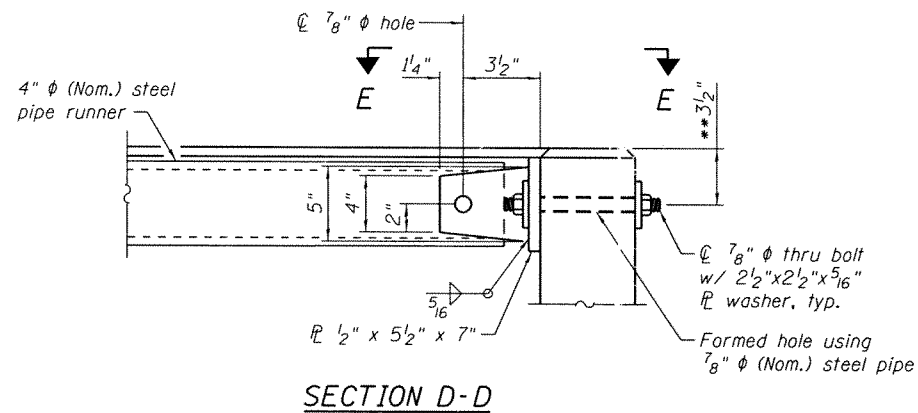


SECTION C-C

Trim v and h4 bars around pipe opening

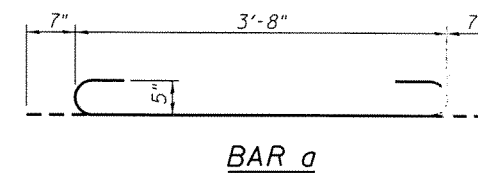


DETAIL A

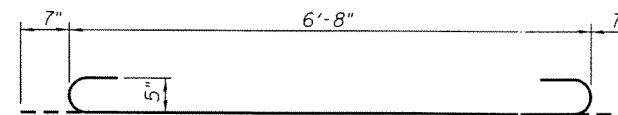


SECTION D-D

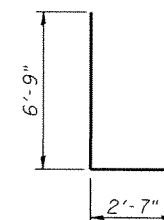
**Measured perpendicular to top of sidewall. In addition, formed hole shall be located a minimum of 6" measured horizontally from any vertical joints necessary for construction of the culvert extension with drop box



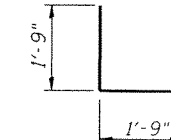
BAR a



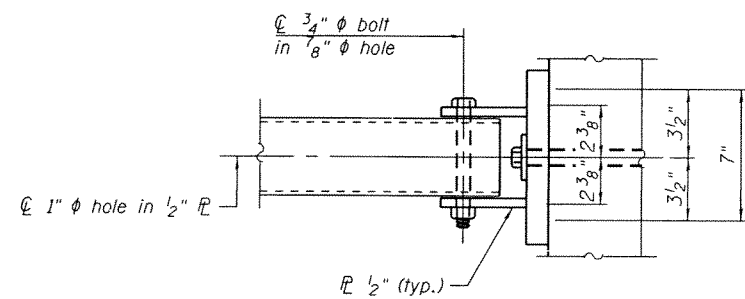
BAR h



BAR v



BAR a1



VIEW E-E

BILL OF MATERIAL
(For Information Only)

Bar	No.	Size	Length	Shape
a	14	#5	4'-10"	C
a1	10	#5	3'-8"	—
d	36	#4	3'-6"	L
h	5	#5	7'-10"	C
h1	5	#5	6'-8"	—
h2	18	#4	3'-8"	—
h3	17	#4	6'-8"	—
h4	8	#5	6'-10"	—
v	26	#5	9'-4"	L
DESCRIPTION		UNIT	QTY.	
* Concrete Box Culverts		Cu. Yd.	3.0	
* Reinforcement Bars		Pound	700	
** 4" Galv. Steel Pipe		3 @	2'-8"	
** Side Assembly		Each	6	

* Included in Drop Box No. 1

** Included in Traversable Pipe Grate with all hardware and steel for Assemblies

PLAN & ELEVATION
DROP BOX NO. 1
U.S. 6 STATION 196+25.00 RT

FILE NAME = S:\JDL\6300-6399\6346\071\MicroCAD_Sheets\Structural_Sheets_Sheet_02.dgn

SA STRAND ASSOCIATES
1170 SOUTH HOUBOLT ROAD
JOLIET, ILLINOIS 60431
(815) 744-4200
IDFPR NO. 184-001273

USER NAME: brianf
DESIGNED - MJD
CHECKED - RRD
DRAWN - BJB
CHECKED - RRD
PLOT SCALE
PLOT DATE: 3/13/2014

DESIGNED - MJD
CHECKED - RRD
DRAWN - BJB
CHECKED - RRD
REVISIONS
REVISED
REVISED
REVISED
REVISED

STATE OF ILLINOIS
DEPARTMENT OF TRANSPORTATION

DETAILS
DROP BOX NO. 1

SHEET NO. 52 OF 510 SHEETS

F.A.J. RTE. 5789	SECTION 2R-1	COUNTY HENRY	TOTAL SHEETS 235	SHEET NO. 50
			CONTRACT NO. 6454	

ILLINOIS FED. AID PROJECT