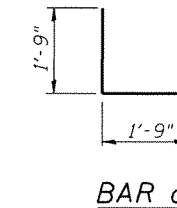
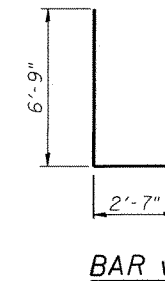
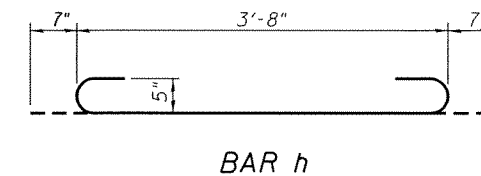
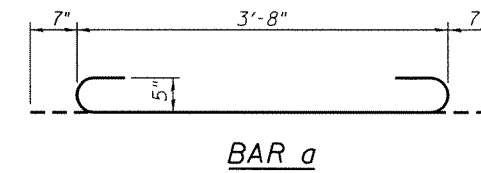
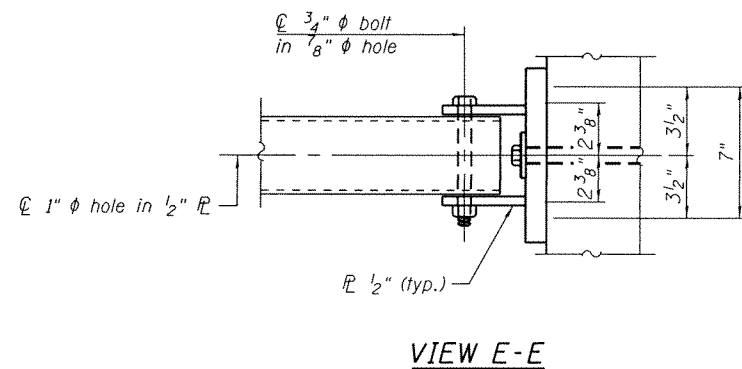


**Measured perpendicular to top of sidewall. In addition, formed hole shall be located a minimum of 6" measured horizontally from any vertical joints necessary for construction of the culvert extension with drop box



BILL OF MATERIAL
(For Information Only)

| Bar | No. | Size | Length | Shape |
|----------------|-----|------|--------|-------|
| a | 14 | #5 | 4'-10" | U |
| a ₁ | 10 | #5 | 3'-8" | — |
| d | 28 | #4 | 3'-6" | L |
| h | 5 | #5 | 7'-10" | U |
| h ₁ | 5 | #5 | 6'-8" | — |
| h ₂ | 14 | #4 | 3'-8" | — |
| h ₃ | 12 | #4 | 6'-8" | — |
| h ₄ | 8 | #5 | 5'-1" | — |
| v | 26 | #5 | 9'-4" | L |

| DESCRIPTION | UNIT | QTY. |
|-------------------------|---------|-------|
| * Concrete Box Culverts | Cu. Yd. | 3.0 |
| * Reinforcement Bars | Pound | 595 |
| ** 4" Galv. Steel Pipe | 3 @ | 2'-8" |
| ** Side Assembly | Each | 6 |

* Included in Drop Box No. 4

** Included in Traversable Pipe Grate with all hardware and steel for Assemblies

PLAN & ELEVATION
DROP BOX NO. 4
IL. 84 STATION 10+28.00 LT

FILE NAME = S:\JDL\63300--6399\6346\071\Micros\ACAD\Sheets\Structural\Sheets\61425_Sheet_08.dgn