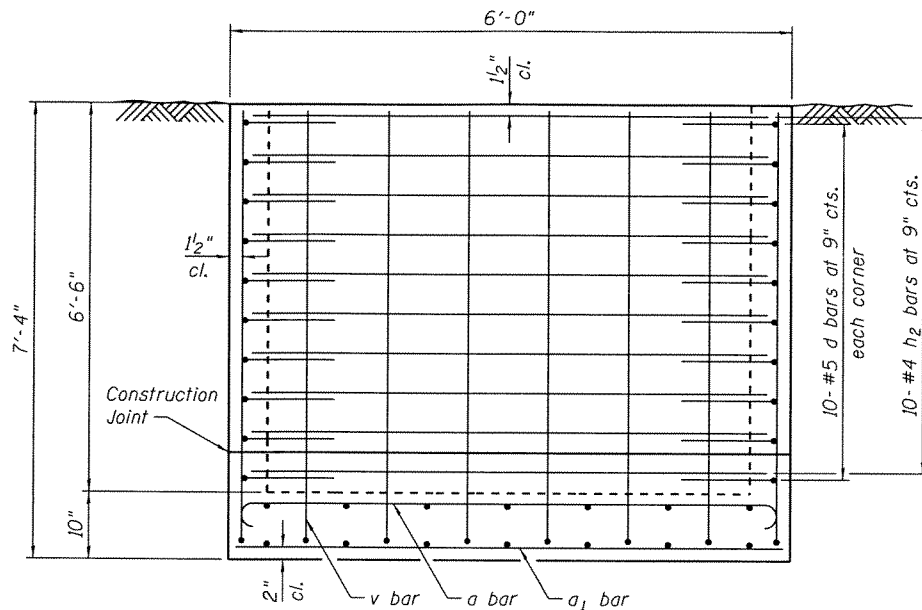
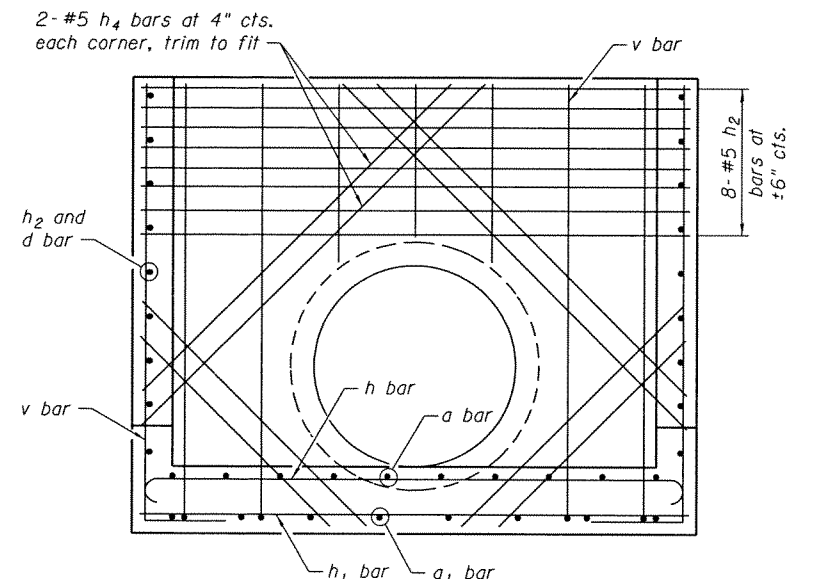


SECTION A-A

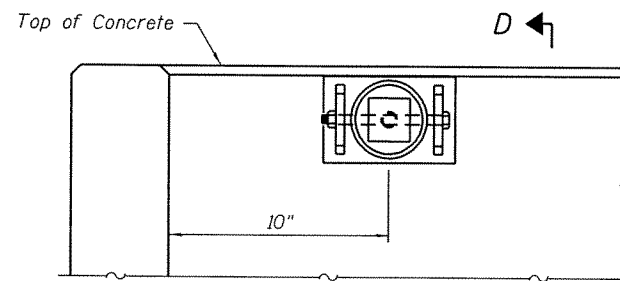


VIEW B-B

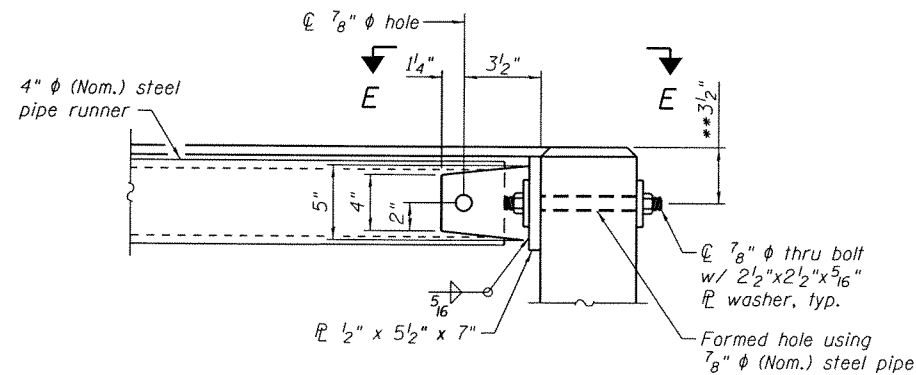


SECTION C-C

Trim v and h4 bars around pipe opening

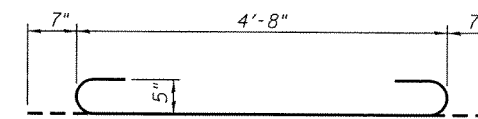


DETAIL A

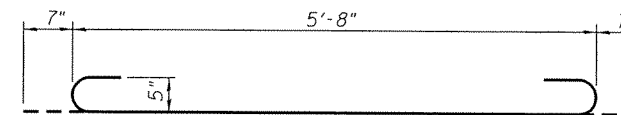


SECTION D-D

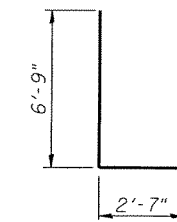
** Measured perpendicular to top of sidewall. In addition, formed hole shall be located a minimum of 6" measured horizontally from any vertical joints necessary for construction of the culvert extension with drop box



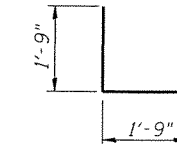
BAR a



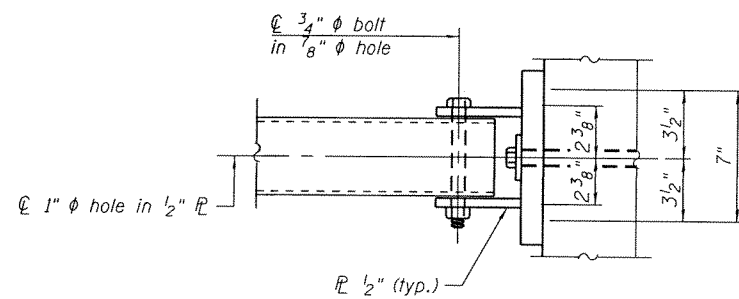
BAR h



BAR v



BAR d



VIEW E-E

BILL OF MATERIAL

(For Information Only)

Bar	No.	Size	Length	Shape
a	10	#5	7'-0"	U
a1	8	#5	5'-8"	—
d	40	#4	3'-6"	L
h	7	#5	5'-10"	U
h1	7	#5	4'-8"	—
h2	18	#4	5'-8"	—
h3	20	#4	4'-8"	—
h4	8	#5	6'-0"	—
v	26	#5	9'-7"	L

DESCRIPTION	UNIT	QTY.
* Concrete Box Culverts	Cu. Yd.	3.0
* Reinforcement Bars	Pound	730
** 4" Galv. Steel Pipe	2 @	4'-8"
** Side Assembly	Each	4

* Included in Drop Box No. 5

** Included in Traversable Pipe Grate with all hardware and steel for Assemblies

PLAN & ELEVATION
DROP BOX NO. 5
COLONA HEIGHTS STATION 10+61.00 LT

FILE NAME: S:\JUL\16300-6399\6346\071\Micro\Structural Sheets\64725_Sheet_18.dgn