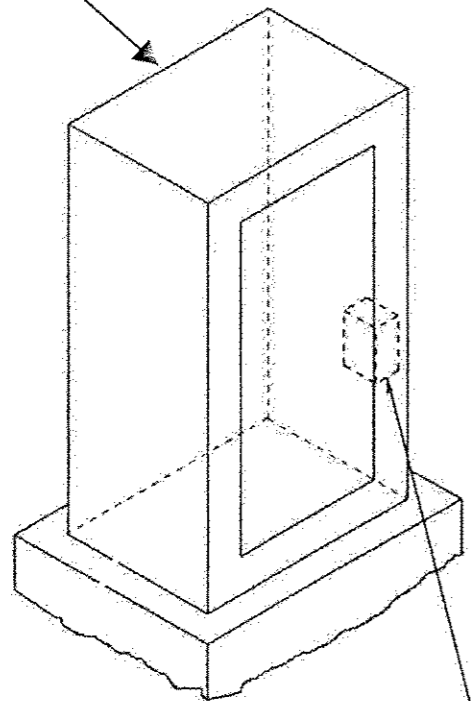


LIGHTING CONTROLLER, SPECIAL

TRAFFIC SIGNAL CABINET



LIGHTING CONTROLLER

LOCATE
INTERNAL PHOTOCELL WITH
INTEGRAL SURGE ARRESTER
ON TRAFFIC SIGNAL CABINET

CAST ALUMINUM CABINET
18"H x 12"W x 8"D. ALUMINUM DOOR WITH
STANDARD TRAFFIC SIGNAL LOCK AND KEY.

3 POSITION SELECTOR SWITCH
HAND - OFF - AUTO

15 AMP CIRCUIT BREAKER

30A. 120V CONTACTOR
120V. OPERATING COIL

20A. BRANCH C.B.

20 AMP BREAKER -
LIGHTING
60 AMP BREAKER -
SIGNALS

TO SIGNALS

DISCONNECT SWITCH

Ground bar in
traffic signal
cabinet

LIGHTING CONTROLLER (PHOTOCELL RELAY)
, SPECIAL

NEUTRAL BAR

#6 WIRE
#6 WIRE

LIGHTING CIRCUITS

FILE NAME	USER NAME	DESIGNED	REVISED	STATE OF ILLINOIS DEPARTMENT OF TRANSPORTATION	LIGHTING CONTROLLER, SPECIAL	*5789 & 5861			
DATE	DATE	CHECKED	REVISED			SECTION	COUNTY	TOTAL SHEETS	
SCALE	SCALE	DATE	DATE			2R-1	HENRY	235	
SCALE	SCALE	DATE	DATE			CONTRACT NO. 64J43		65	
					SCALE	SHEET	OF SHEETS	STA. TO STA.	ILLINOIS FED. AID PROJECT