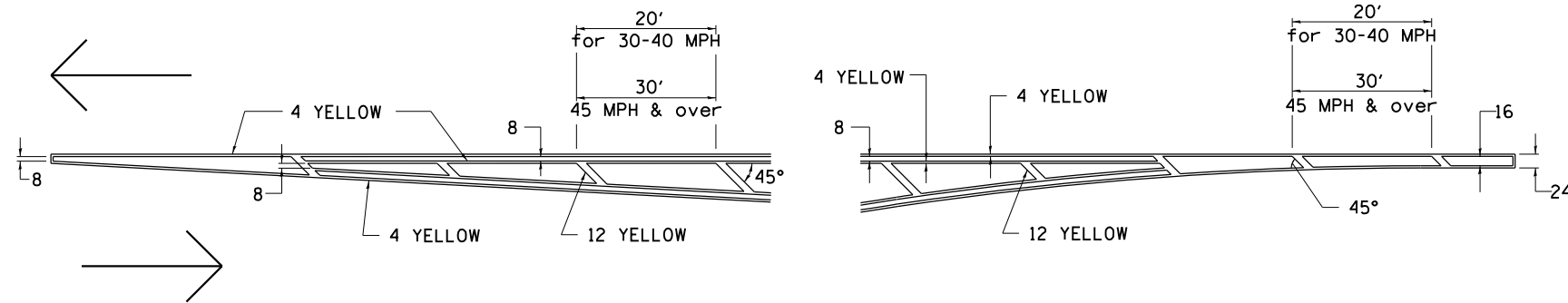
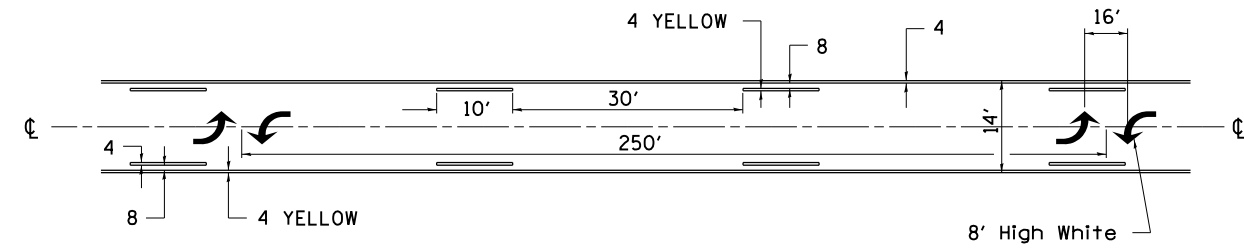


# TYPICAL PAVEMENT MARKINGS

## TYPICAL PAVEMENT MARKING FOR FLUSH MEDIAN AT LEFT TURN LANE

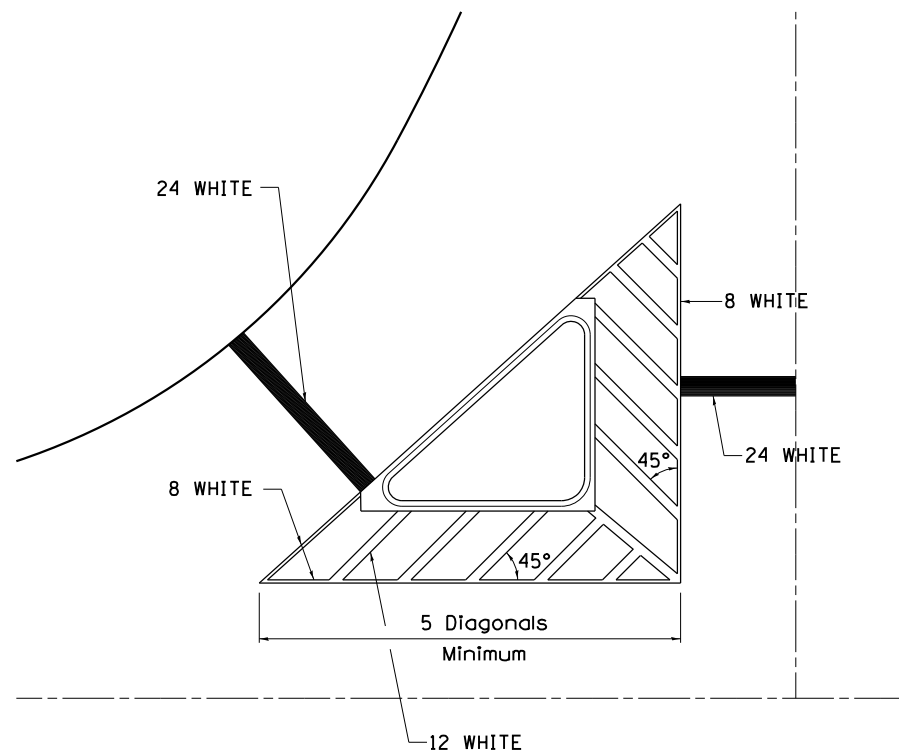


## MEDIAN PAVEMENT MARKING



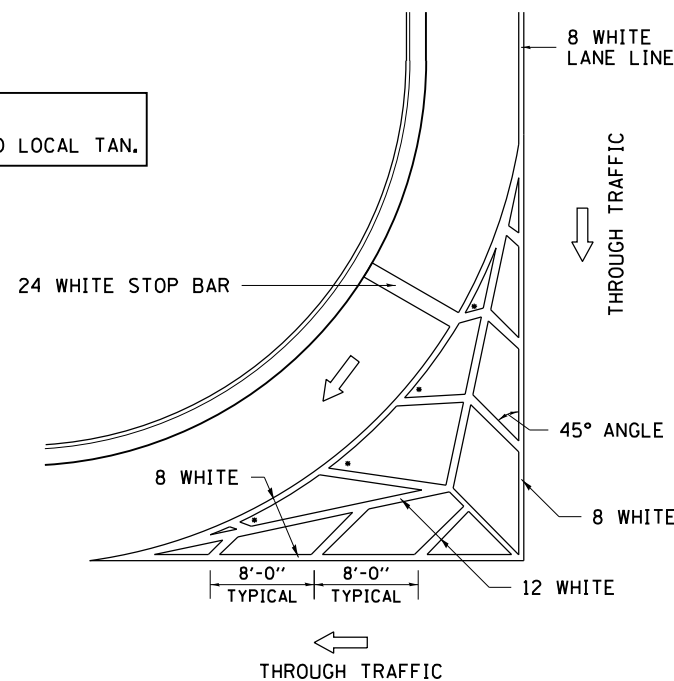
•• ALL DIMENSIONS ARE IN INCHES UNLESS OTHERWISE NOTED.

## TYPICAL ISLAND OFFSET SHOULDER WIDTH



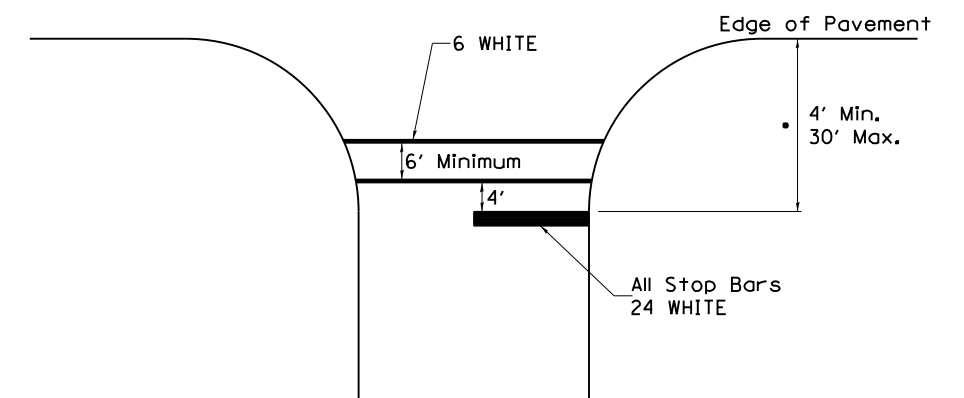
## TYPICAL MARKING FOR PAINTED ISLANDS

NOTE:  
\* 45° TO LOCAL TAN.



## STANDARD CROSSWALK MARKING

See Schedules for Locations



• Distance to the nearest edge of the intersecting roadway in the absence of a marked crosswalk.

FILE NAME =	USER NAME = cushmenbw	DESIGNED -	REVISED - 6-27-14
ct:\pwork\pwork\cushmenbw\d0333009\p201709-shd-details.dgn		DRAWN -	REVISED - 3-05-12
	PLOT SCALE = 40.0000' / in.	CHECKED -	REVISED -
	PLOT DATE = Fri Aug 01 09:54:53 2014	DATE -	REVISED -

STATE OF ILLINOIS  
DEPARTMENT OF TRANSPORTATION

REGION 2 / DISTRICT 2 STANDARD

SCALE: SHEET NO. OF SHEETS STA. TO STA.

\* 5789 & 5861

F.A.U. RTE.	SECTION	COUNTY	TOTAL SHEETS	SHEET NO.
*	2R-1	HENRY	235	106
FED. ROAD DIST. NO. ILLINOIS FED. AID PROJECT			CONTRACT NO. 64J43	