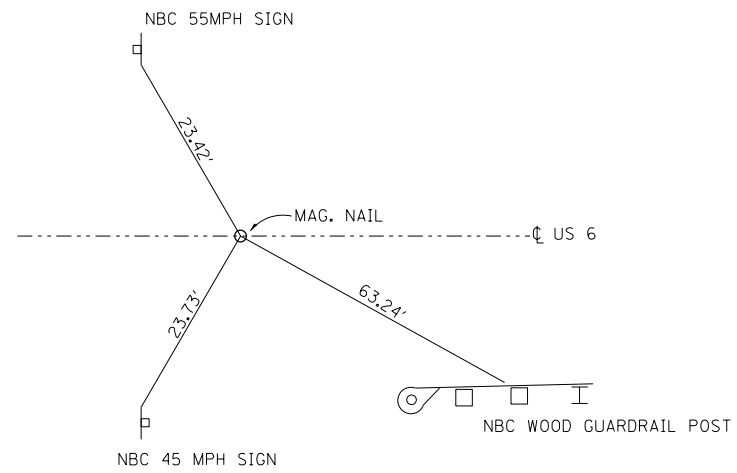
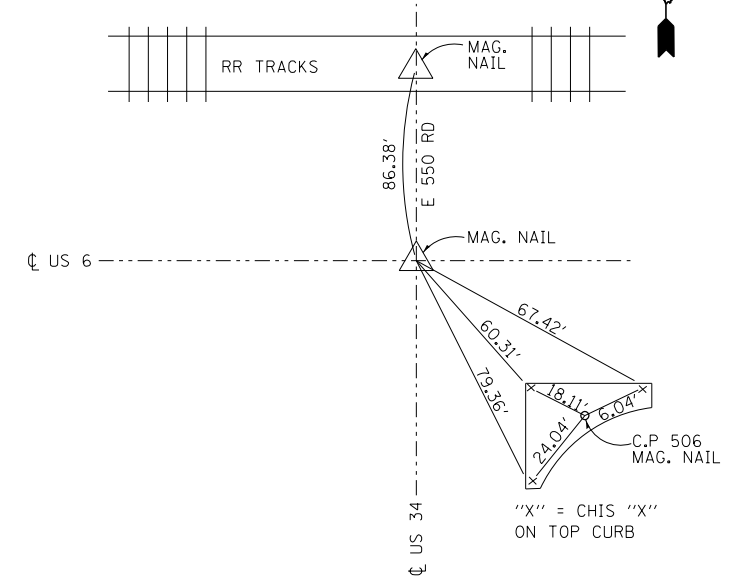


P.O.T STA. 937+72.33



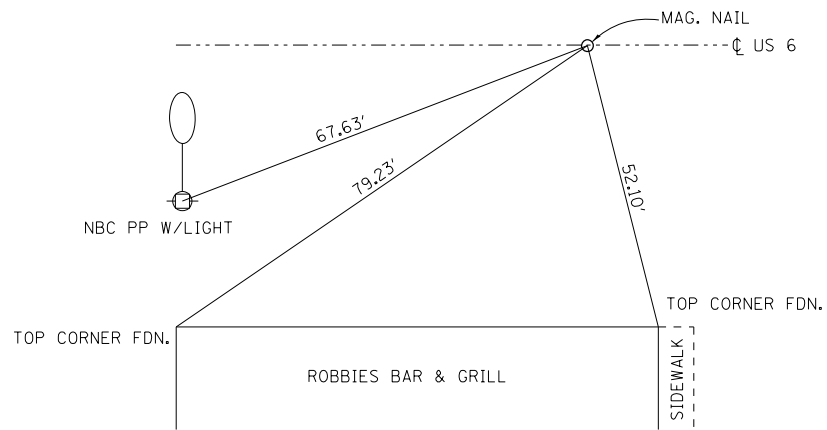
P.O.T STA. 965+0.00



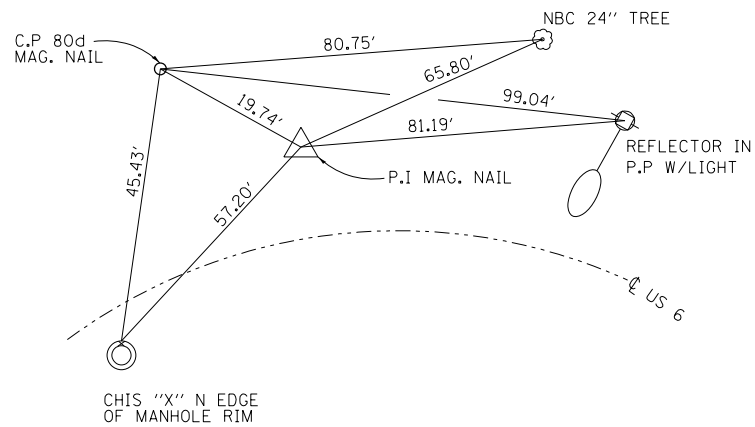
P.I STA. 951+68.58 US 6  
 =STA. 843+76.60 US 34  
 =STA. 10+00.00 E 550 RD

CL R.R P.I STA. 10+86.38 E 550 RD

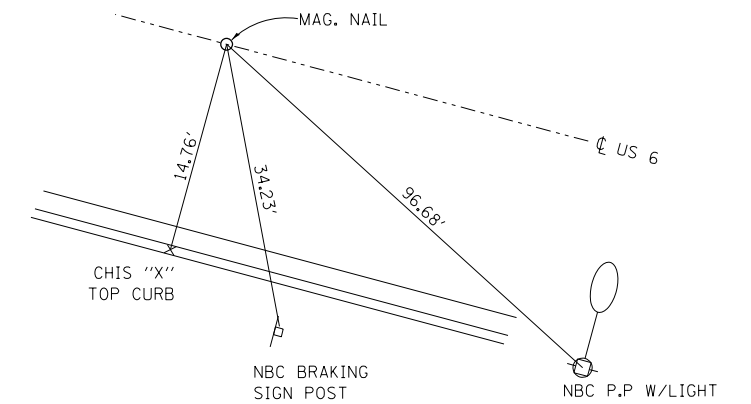
FOR INFORMATION ONLY



P.C STA. 971+65.45



P.I STA. 973+16.03 15.44'LT  
 C.P 505 STA. 972+95.06 19.28'LT



P.O.T STA. 976+03.52

FILE NAME =	USER NAME = carpenterdj	DESIGNED -	REVISED -
c:\pwork\work\pwork\carpenterdj\d0183264\366A17-sht-ATB.dgn		DRAWN -	REVISED -
	PLOT SCALE = 100.0000' / in.	CHECKED -	REVISED -
	PLOT DATE = 8/1/2014	DATE -	REVISED -

STATE OF ILLINOIS  
 DEPARTMENT OF TRANSPORTATION

TIE POINTS

SCALE: SHEET NO. OF SHEETS STA. TO STA.

F.A.P. RTE.	SECTION	COUNTY	TOTAL SHEETS	SHEET NO.
613	(8D BR/BR)	BUREAU	63	14
CONTRACT NO. 66A17				
ILLINOIS FED. AID PROJECT				