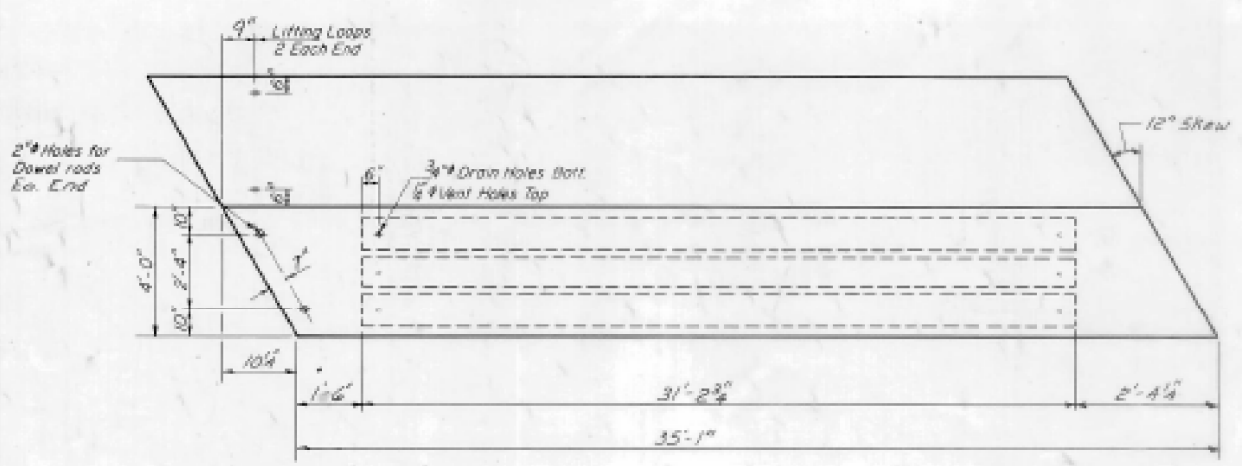
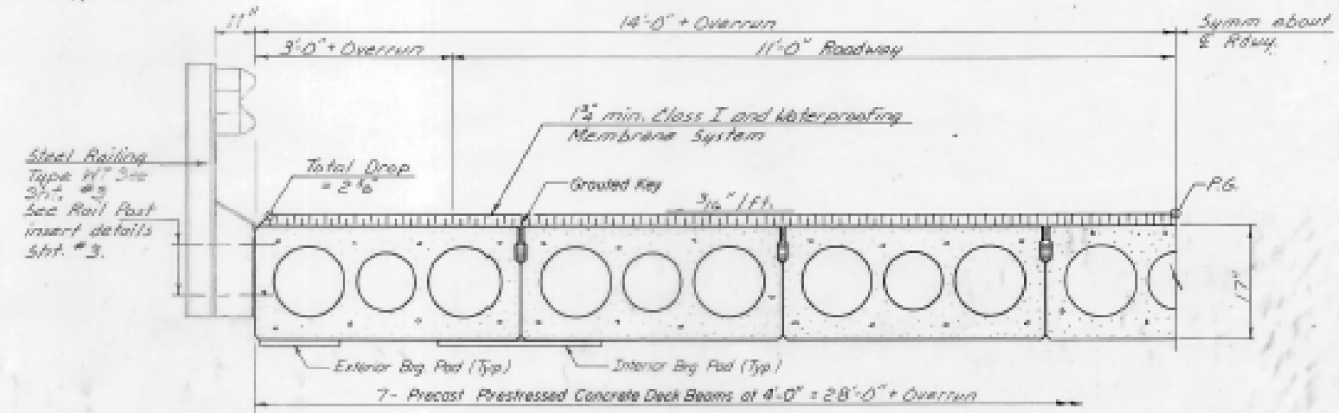
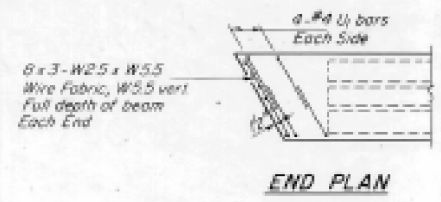


SECTION THRU ABUTS
 *1 Joint shall be packed with a very dry mix of 2-1 sand and P.C. mortar. This dimension may vary plus or minus to accommodate tolerance in beam lengths.
 **Dowel Rods to be grouted after beams are in place and allowed to cure (minimum 24 hrs.) prior to grouting the shear keys.

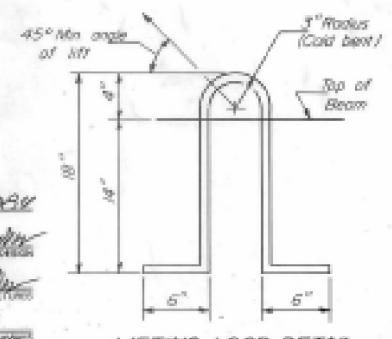
*** Dimensions of right angles



PLAN



END PLAN



LIFTING LOOP DETAIL

NOTES

Prestressing steel shall be non-galvanized high strength, stress-relieved 7-wire strand, Grade 270. The nominal diameter shall be 1/2" and the nominal cross-sectional area shall be 0.153 sq in. Lifting loops shall be 1/2" diameter, 6 x 25 class wire rope with fiber core and shall have a minimum ultimate tensile strength of 2,000 lbs. or 2 - 5/8" - 270 ksi strands, as shown. Keyway surfaces shall be cleaned to remove form oil or other bond breaking material prior to shipment of the beams. Cleaning shall be done by sandblasting the keyway areas between top of the beam and the bottom edge of the key. Reinforcement bars shall conform to AASHTO M-31, M-42, or M-53 Grade 60. The bearing seat surfaces shall be adjusted by shimming to assure firm and even bearing. Two 1/2" fabric adjusting shims of the dimensions of the Exterior Bearing Pad shall be provided for each bearing. A Calcium Nitrite Corrosion Inhibitor, as covered in the Special Provisions, shall be used in the concrete for precast prestressed concrete deck beams. Required Release Strength, f_{cr} , shall be 4800 psi. An equal substitution of the low-relaxation strands for the stress-relieved strands will be permitted. Hatched area to be poured after beams have been erected and joints grouted. Quantity of Class X Concrete billed on this sheet.

THREE SPANS
BILL OF MATERIAL

Bar	No	Size	Length	Shape
Precast Prestressed Concrete Deck Beams (17)		Sq Ft	2947	
Class X Concrete		Cu. Yd.	4.5	

SUPERSTRUCTURE
F.A.S. RTE. 370 SEC. 102 BR
LIVINGSTON COUNTY
STA. 48+96.77

DESIGNED: [Signature] 10/9/82
 CHECKED: [Signature] JFS
 DRAWN: R. Sommer
 EXAMINED: [Signature] 10/9/82
 PASSED: [Signature]
 APPROVED: [Signature]

PD-4-RA 4-15-83