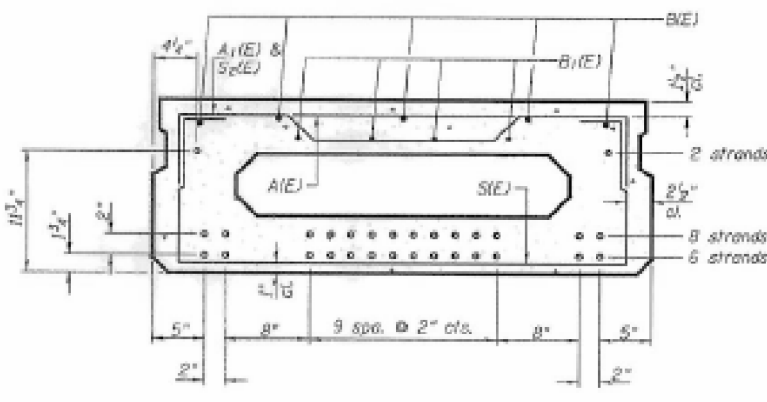
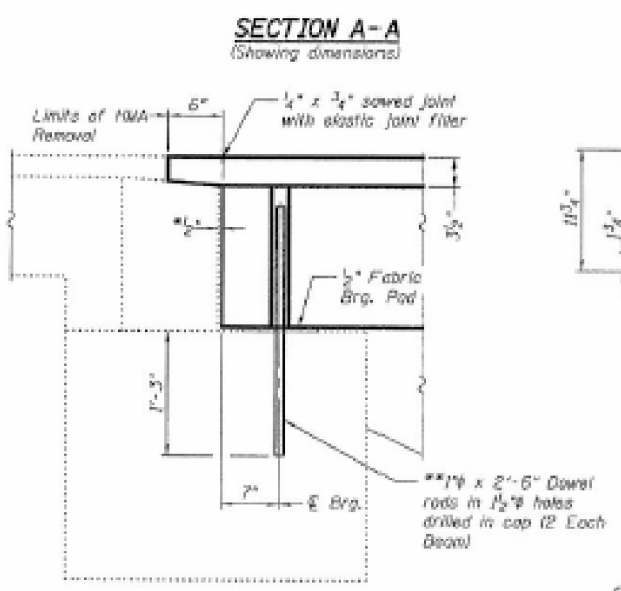
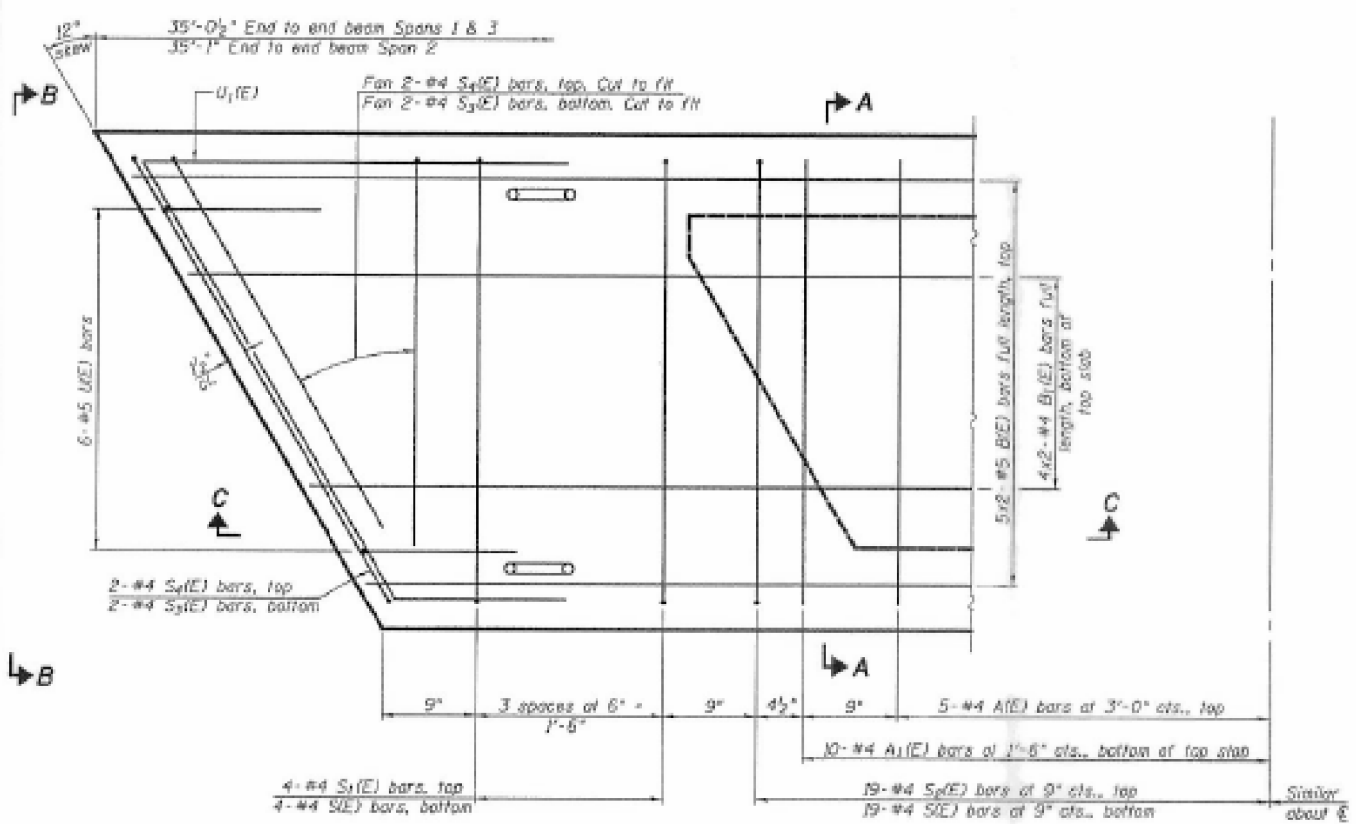
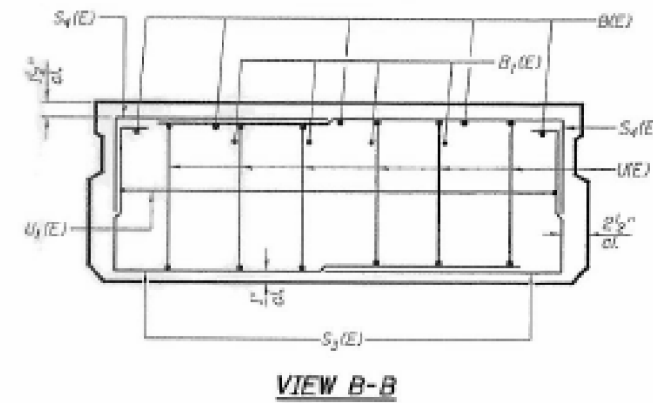
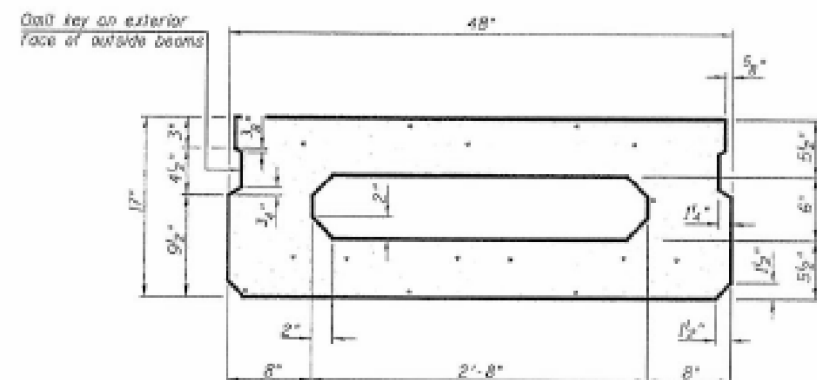
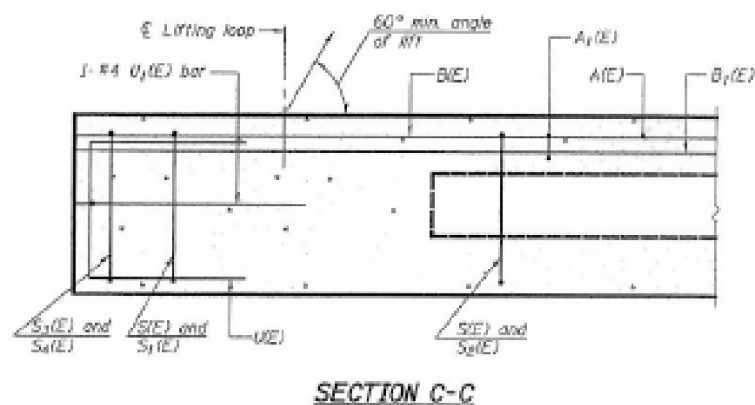
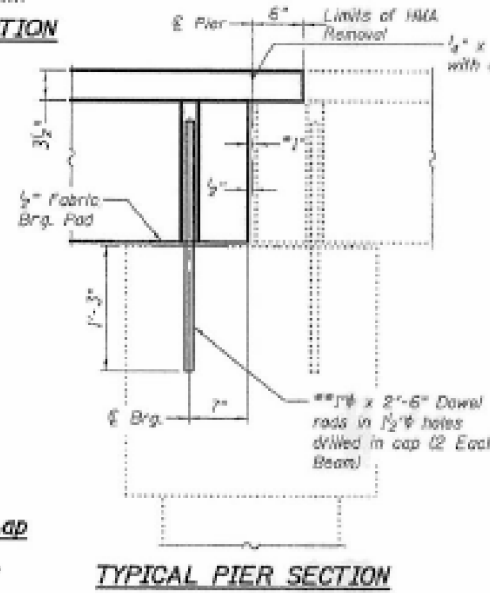


DATE	SECTION	COUNT	DATE	NO.	SHEET NO. 2
FAS 370	102 BR/BR	LIVINGSTON	13	11	4 SHEETS
Contract Number: --- 60814					



TYPICAL ABUTMENT SECTION



BAR LIST
ONE BEAM ONLY
(For information only)

Bar No.	Size	Length	Shape
A1(E)	#4	3'-7"	—
A1(E)	#4	3'-10"	—
B1(E)	#5	18'-6"	—
B1(E)	#4	18'-3"	—
S1(E)	#4	6'-9"	┌
S1(E)	#4	5'-3"	┌
S2(E)	#4	5'-6"	┌
S2(E)	#4	5'-3"	┌
S4(E)	#4	4'-10"	┌
U1(E)	#5	3'-8"	┌
U1(E)	#4	6'-10"	┌

Notes:
See sheet 3 of 4 for additional details and Bill of Material.
Bars indicated thus 5 x 2-#5 etc. indicates 5 lines of bars with 2 lengths per line.

BEAM DETAILS
F.A.S. RT. 370
LIVINGSTON COUNTY
SN 053-0157

Note: Spacing of S1(E) and S2(E) bars may be adjusted up to 4" in the immediate area of the transverse tie diaphragms to miss the block outs for the transverse ties.

DESIGNED	A.J.B.	DATE	May 9, 2008
CHECKED	V.H.V.	EXAMINED	<i>[Signature]</i>
DRAWN	Drew Christopher	PASSED	<i>[Signature]</i>
CHECKED	A.J.B., V.H.V.		
PD-1748-R		8-29-07	

*Joint shall be filled with non-shrink grout. Dimension may vary to accommodate tolerance in beam lengths.
**Existing dowel rods are to be buried off, ground flush, and sealed with epoxy prior to placement of new beams. Cast included in Removal of Existing PPC Deck Beams. After beams have been erected holes shall be drilled into cap and dowel rods placed. Dowel holes shall be filled with non-shrink grout to top of beam and allowed to cure a minimum of 24 hours prior to grouting the shear keys.

Min. Bar Lap
#4 - 1'-8"
#5 - 2'-2"