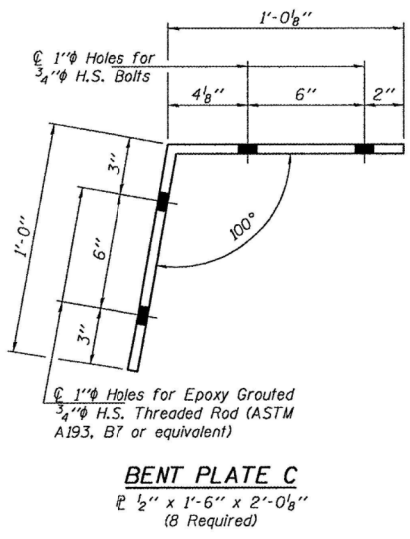
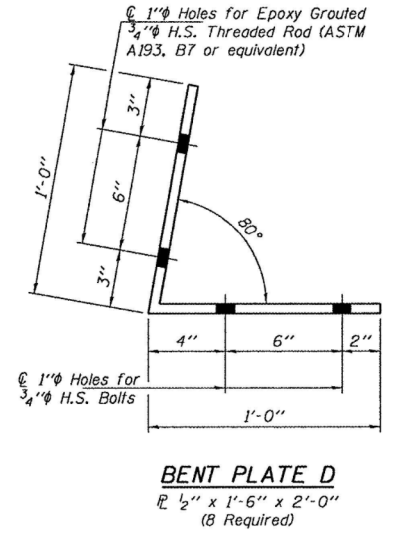


CROSS-SECTION
(Looking South)

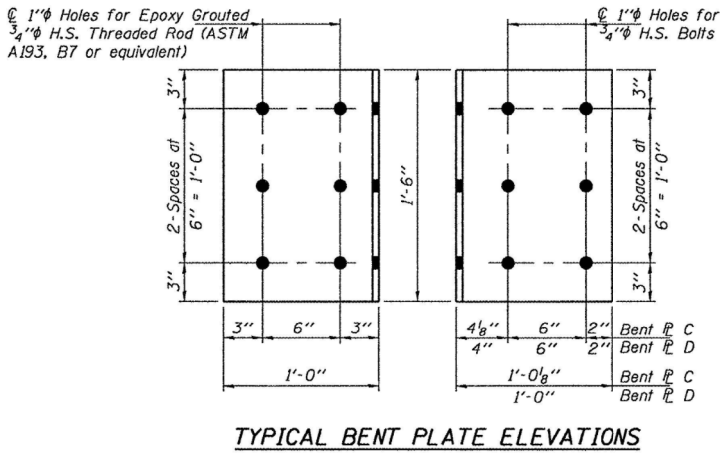
SECTION A-A
Excavate riprap as required to facilitate installation of W24x131 Support Beam. Cost included with Furnishing & Erecting Structural Steel.



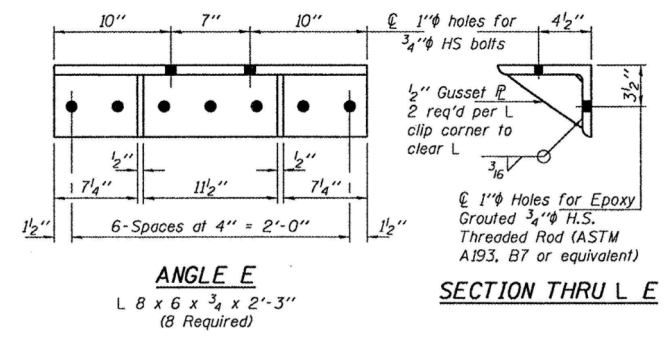
BENT PLATE C
L 1/2" x 1'-6" x 2'-0 1/2"
(8 Required)



BENT PLATE D
L 1/2" x 1'-6" x 2'-0"
(8 Required)

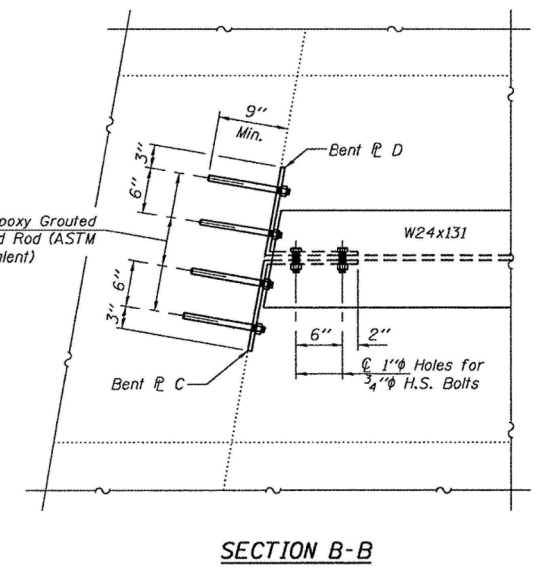


TYPICAL BENT PLATE ELEVATIONS



ANGLE E
L 8 x 6 x 3/4 x 2'-3"
(8 Required)

SECTION THRU L E



SECTION B-B

**OLD U.S. ROUTE 45
OVER LANGAN CREEK**

DESIGNED - GGE	EXAMINED - <i>Joanne F. [Signature]</i>	DATE - JANUARY 27, 2011	STATE OF ILLINOIS DEPARTMENT OF TRANSPORTATION	P.P.C. DECK BEAM SUPPORT DETAILS SN 038-0184	F.A.S. RTE. 1324	SECTION (38-BR11)	COUNTY IROQUOIS	TOTAL SHEETS 6	SHEET NO. 6	
CHECKED - IJL	PASSED - <i>[Signature]</i>				SHEET NO. 2 OF 2 SHEETS					
DRAWN - Kyle M. Steffen					CONTRACT NO. 66A70					
CHECKED - GGE IJL					ILLINOIS FED. AID PROJECT					

0380184.dgn 27-Jan-11 11:22:16

FILE NAME =	USER NAME = carpenterdj	DESIGNED -	REVISED -	STATE OF ILLINOIS DEPARTMENT OF TRANSPORTATION	FOR INFORMATION ONLY EXISTING BRIDGE BRACING PLANS	F.A.S. RTE. 1324	SECTION 38 BR	COUNTY IROQUOIS	TOTAL SHEETS 35	SHEET NO. 30	
ei:\pwork\pwork\pwork\carpenterdj\d0241716\366A72-sht-details.DGN		DRAWN -	REVISED -			CONTRACT NO. 66A72					
PLOT SCALE = 48.0000' / in.		CHECKED -	REVISED -			ILLINOIS FED. AID PROJECT					
\$MODELNAME\$		DATE -	REVISED -			SCALE:	SHEET	OF	SHEETS	STA.	TO