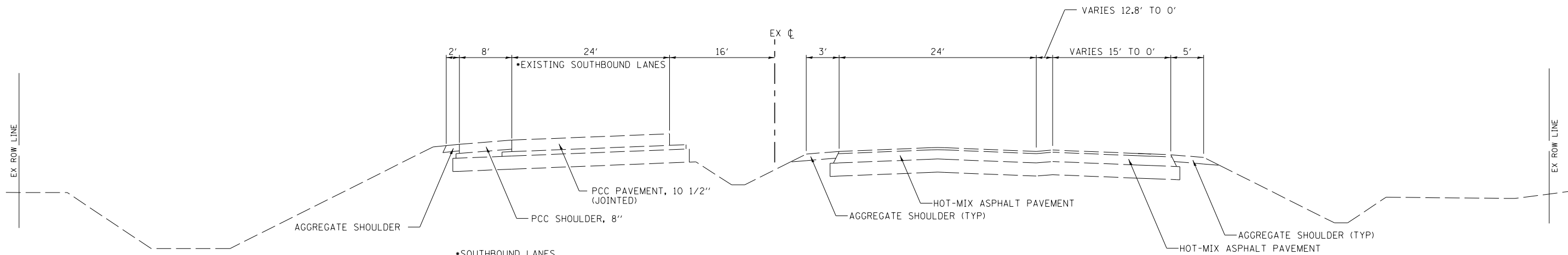


EXISTING TYPICAL SECTION

IL. RTE. 47

STA 6265+00 TO STA 6274+00

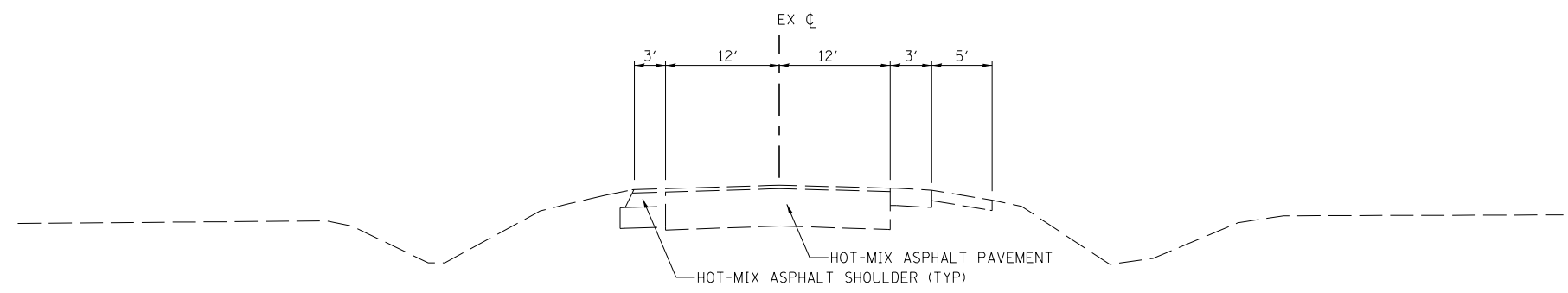


EXISTING TYPICAL SECTION

IL. RTE. 47

STA 6274+00 TO STA 6280+51

*SOUTHBOUND LANES
END AT STA 6277+00



EXISTING TYPICAL SECTION

IL. RTE. 47

STA 6280+51 TO STA 6292+00

FILE NAME =	USER NAME = bdecreene	DESIGNED - HLC	REVISED -
V:\3195\66884 (North Section)\CADD Sheets\ND366884-shr-typical-01.dgn		DRAWN - HLC	REVISED -
PLOT SCALE = 16.000' / in.		CHECKED - CAS	REVISED -
PLOT DATE = 7/14/2014		DATE - 7/01/2014	REVISED -

**STATE OF ILLINOIS
DEPARTMENT OF TRANSPORTATION**

IL. RTE. 47 EXISTING TYPICAL SECTIONS			
SCALE: N/A	SHEET NO. 1 OF 13 SHEETS	STA. N/A	TO STA. N/A

F.A.P. RTE.	SECTION	COUNTY	TOTAL SHEETS	SHEET NO.
326	(109, 110R-1)	KENDALL	619	26
CONTRACT NO. 66884				
ILLINOIS FED. AID PROJECT				