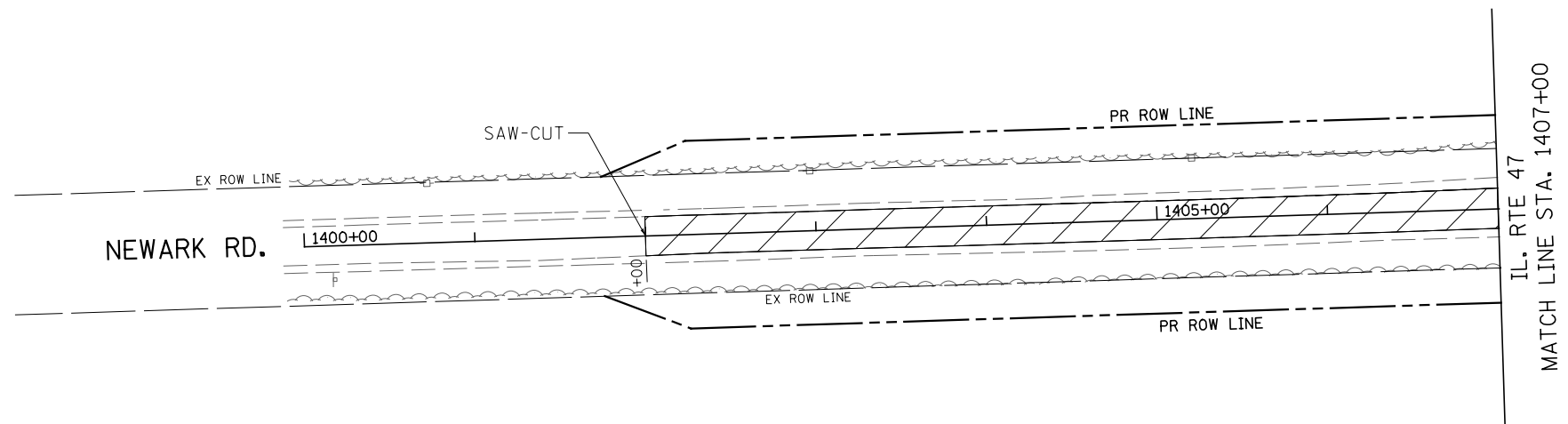
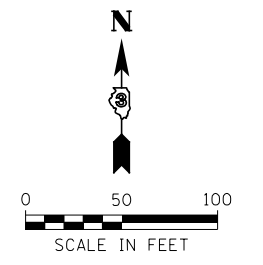


REMOVAL LEGEND

- PAVEMENT REMOVAL
- DRAINAGE STRUCTURE TO BE REMOVED
- COMB. CONC. CURB AND GUTTER REMOVAL
- PIPE CULVERT/STORM SEWER REMOVAL
- TREE REMOVAL
- DRIVEWAY PAVEMENT REMOVAL
- PAVED SHOULDER REMOVAL
- REMOVAL OF EXISTING STRUCTURES
- ISLAND PAVEMENT REMOVAL
- BUILDING REMOVAL
- HMA SURFACE REMOVAL



FILE NAME =	USER NAME = bdecreene	DESIGNED - KU	REVISED -	STATE OF ILLINOIS DEPARTMENT OF TRANSPORTATION	PLATTVILLE RD. & NEWARK RD. REMOVAL PLANS			F.A.P. RTE.	SECTION	COUNTY	TOTAL SHEETS	SHEET NO.
V:\3195\66884 (North Section)\CADD Sheets\ND366884-sh1-rem-18.dgn		DRAWN - KU	REVISED -		326	(109, 110R-1)	KENDALL	619	95			
MODELNAME	PLOT SCALE = 100.0000' / in.	CHECKED - ST	REVISED -		SCALE: 1"=50' SHEET NO. 18 OF 19 SHEETS STA. N/A TO STA. N/A			CONTRACT NO. 66884				
	PLOT DATE = 7/14/2014	DATE - 7/01/2014	REVISED -		ILLINOIS FED. AID PROJECT							