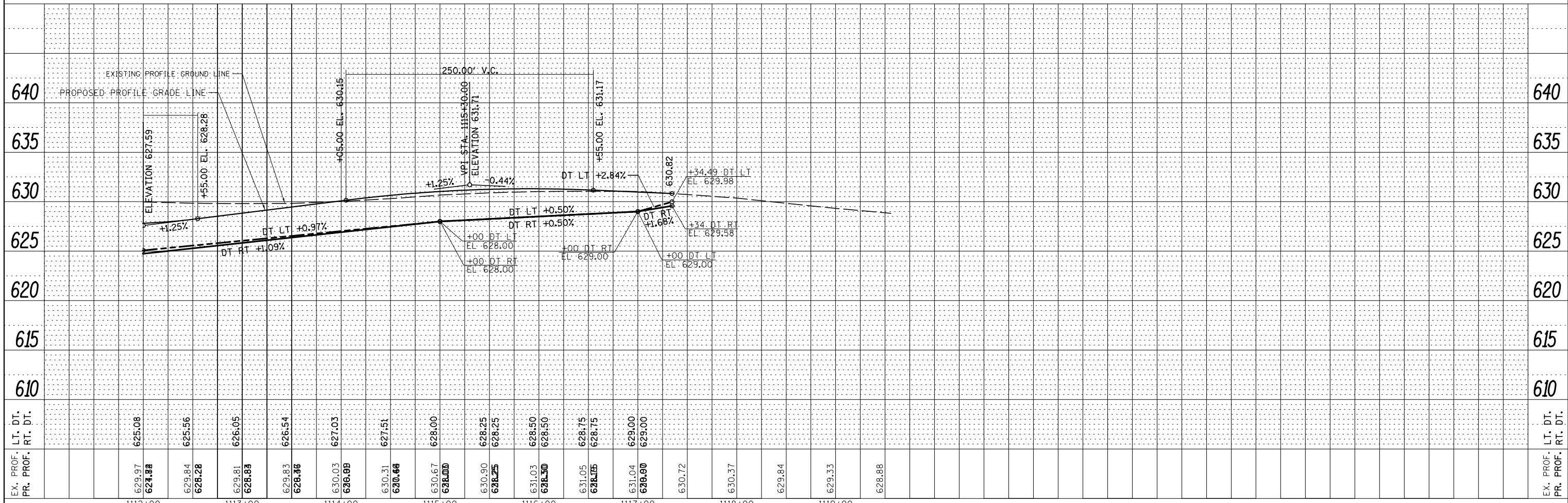
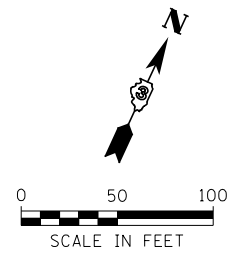
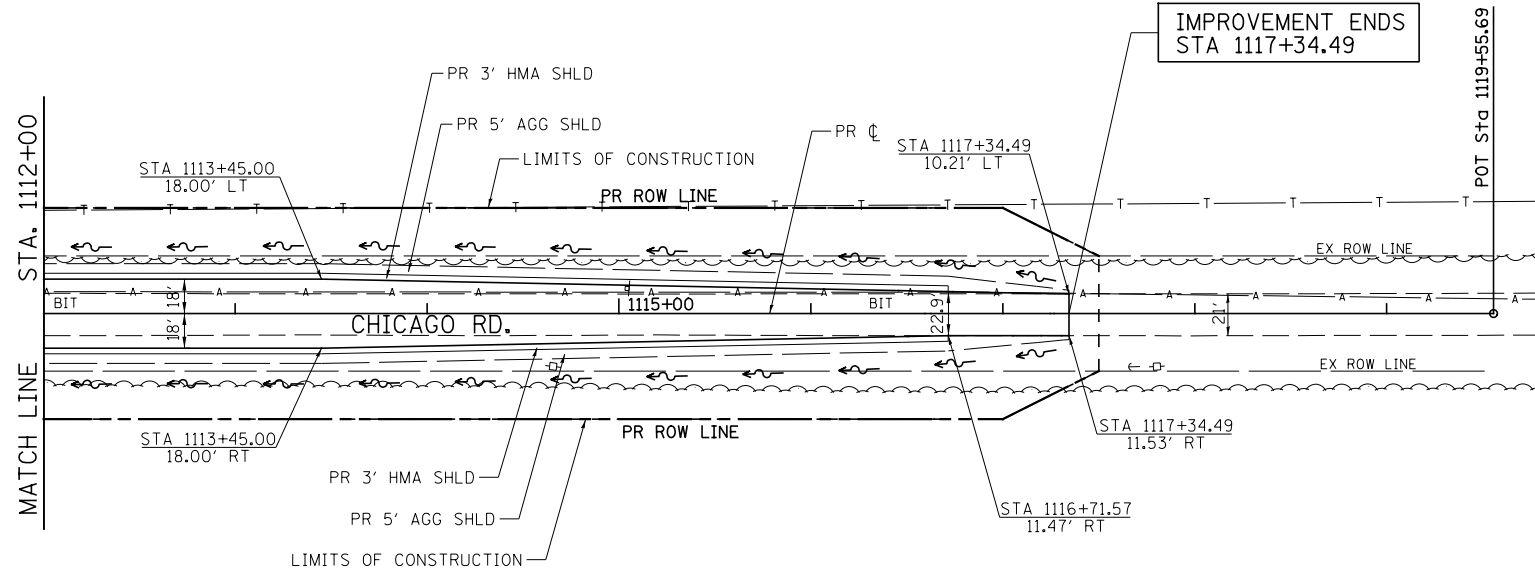


PLAN	SURVEYED	DATE
	PLOTTED	BY
	ALIGNED	
	CHECKED	
	FILED	
	CADD FILE NAME	
	NO.	

PROFILE	SURVEYED	DATE
	PLOTTED	BY
	GRADES CHECKED	
	STRUCTURE NOTATIONS CHECKED	
	NO.	



FILE NAME =	USER NAME = bdcraene	DESIGNED - HLC	REVISED -	STATE OF ILLINOIS DEPARTMENT OF TRANSPORTATION	CHICAGO RD. PLAN & PROFILE	F.A.P. RTE.	SECTION	COUNTY	TOTAL SHEETS	SHEET NO.
V:\3195\66884 (North Section)\CADD Sheets\0366884-sht-plnprf-34.dgn	DRAWN - HLC	REVISED -	326			(109, 110R-1)	KENDALL	619	130	
SHT_PLNPRF	PLOT SCALE = 100.0000' / 1"	CHECKED - CAS	REVISED -			CONTRACT NO. 66884				
	PLOT DATE = 7/14/2014	DATE - 7/01/2014	REVISED -			ILLINOIS FED. AID PROJECT				

SCALE: H=50 V=5 SHEET 34 OF 39 SHEETS STA. 1112+00 TO STA. 1119+00